

Features

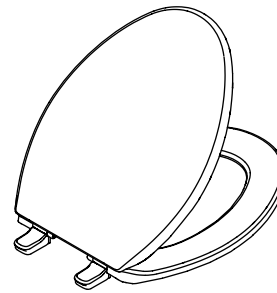
- Quick-Release™ hinge caps snap open and seat pulls forward for removal
- Quick-Attach™ stainless steel fastener allows for top-mount screwdriver only install
- Solid polypropylene plastic
- Closed-front
- Contoured seat for user comfort

TOILET SEAT
K-4774
ALSO K-4775

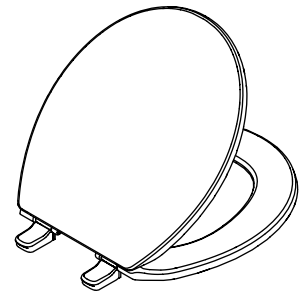
Codes/Standards Applicable

Specified model meets or exceeds the following:

- ANSI Z124.5



K-4774



K-4775

Colors/Finishes

- 0: White
- Other: Refer to Price Book for additional colors/finishes

Specified Model

Model	Description	Colors/Finishes	
		<input type="checkbox"/> 0	<input type="checkbox"/> Other _____
K-4774	Toilet seat – elongated closed-front	<input type="checkbox"/> 0	<input type="checkbox"/> Other _____
K-4775	Toilet seat – round closed-front	<input type="checkbox"/> 0	<input type="checkbox"/> Other _____

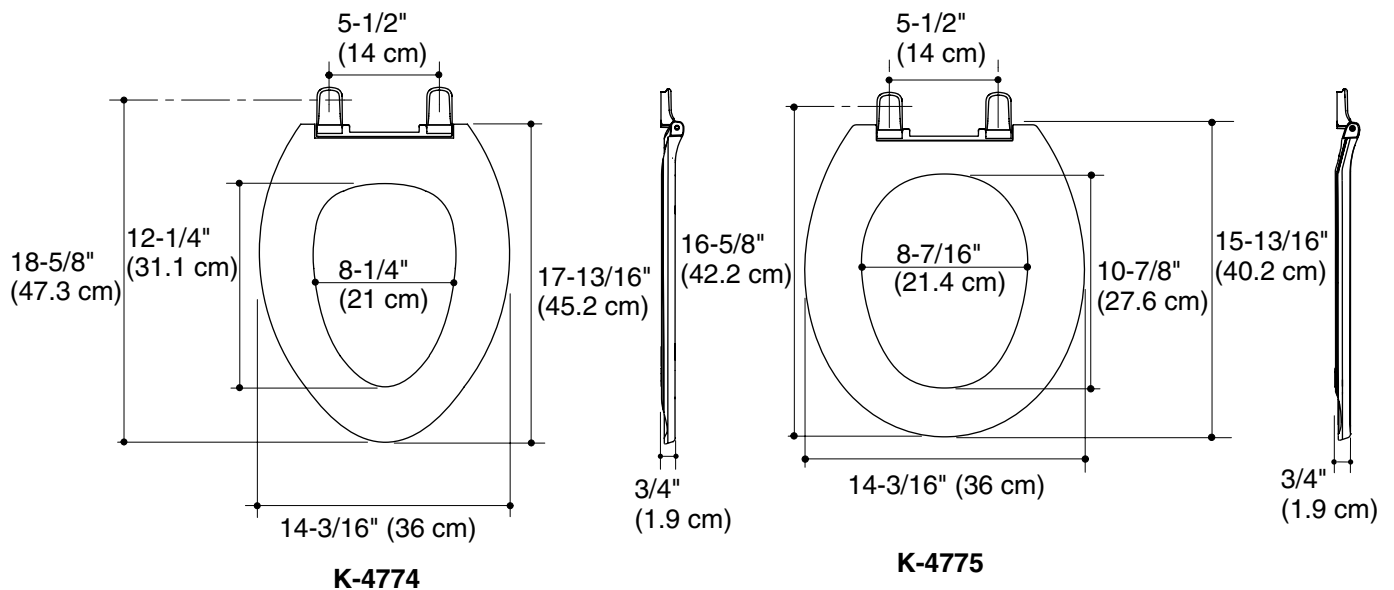
Product Specification

The toilet seat shall be made of solid polypropylene plastic. Toilet seat shall be available with closed-front. Toilet seat shall have contoured seat for user comfort. Toilet seat shall have Quick-Release™ hinge caps snap open and seat pulls forward for removal. Toilet seat shall have Quick-Attach™ stainless steel fastener, which allows for top-mount screwdriver only install. Toilet seat shall be Kohler Model K-_____-_____.

BREVIA® Q2 ADVANTAGE™

Installation Notes

Install this product according to the installation guide.



Product Diagram