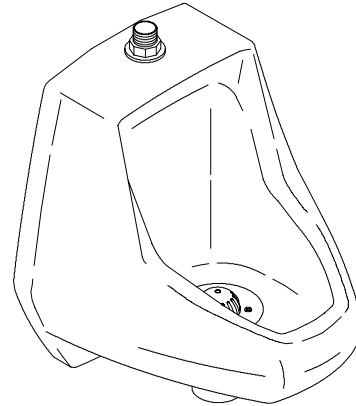


FEATURES

- Vitreous china
- Washout
- 3/4" top spud
- 1.0 gallon (3.78L) or less flush
- ADA compliant when rim is mounted no higher than 17" (43.2cm) from finished floor



CODES/STANDARDS APPLICABLE

Specified model meets or exceeds the following:

- ADA when rim is mounted no higher than 17" from finished floor
- ASME A112.19.2
- ASME A112.19.6
- CABO/ANSI A117.1
- Energy Policy Act of 1992 (EPACT)
- IAPMO/UPC
- CSA B45
- City of Los Angeles, CA

COLORS/FINISHES

- 0 White
- Other Refer to Price Book for additional colors

Accessories:

- G Brushed Chrome

SPECIFIED MODEL:

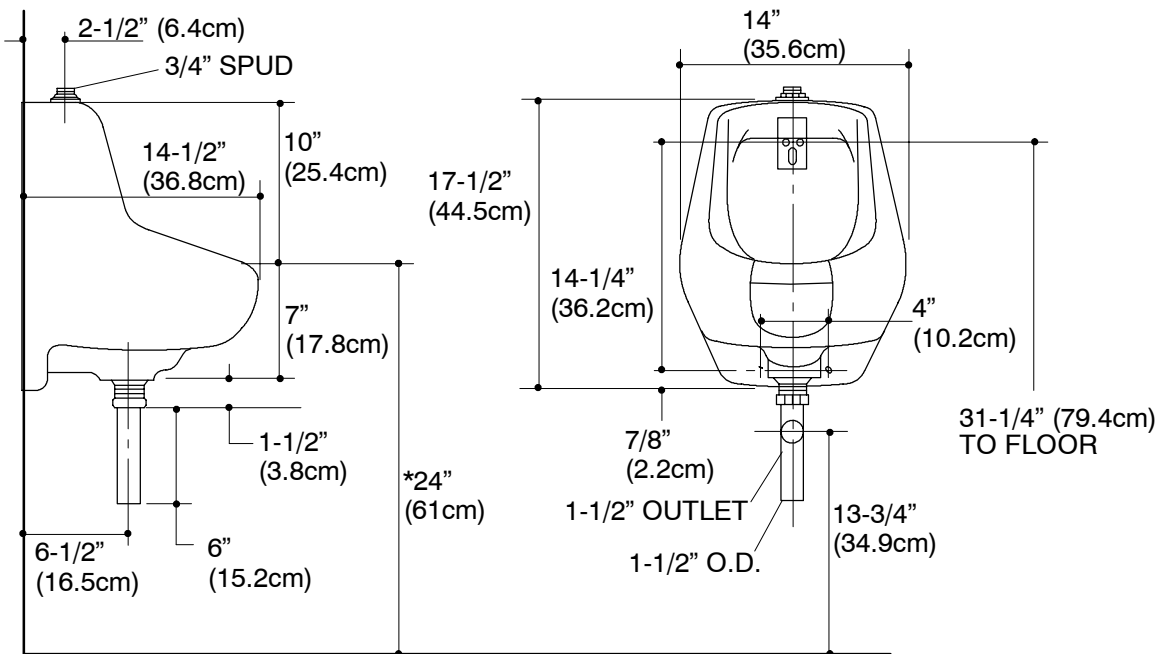
Model	Description	Colors/Finishes	
		<input type="checkbox"/> 0 White	<input type="checkbox"/> Other _____
K-5024-T	3/4" top spud urinal	<input type="checkbox"/> 0 White	<input type="checkbox"/> Other _____
Optional Accessories			
K-13686	Touchless battery-powered urinal flush valve, fixture mounted	<input type="checkbox"/> G	

PRODUCT SPECIFICATION:

The washout urinal shall be made of vitreous china with a 3/4" top spud. Urinal shall be 1.0 gallon (3.78L) or less flush. Urinal shall be ADA compliant when rim is mounted no higher than 17" (43.2cm) from finished floor. Urinal shall be Kohler Model K-5024-T-_____.

PRODUCT INFORMATION

ADA compliant.	
Fixture:	
Configuration	Top spud
Gallons per flush	< 1 gallon* (3.78L)
Spud inlet size	3/4"
*Designed to flush with less than one gallon of water when installed with a water saving flush valve.	
Included Components:	
3/4" inlet spud	18376
1-1/2" outlet spud	18357
Strainer	85061
1-1/2" tailpiece	38530
Hanger (1 required)	64512
Flush valve requirements: Refer to manufacturer's instructions and local codes.	



Roughing-In Notes

*Urinal complies with ADA requirement when rim is mounted no higher than 17" (43.2cm) from finished floor.

1.25>116

PRODUCT DIAGRAM