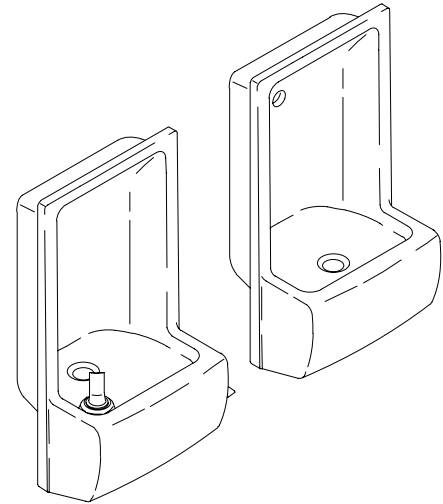


K-5293, K-5295

FEATURES

- Vitreous china
- Semi-recessed
- 1-1/4" trap with brushed chrome strainer
- Includes supply fitting



CODES/STANDARDS APPLICABLE

Specified model meets or exceeds the following:

- ASME/ANSI A112.19.2M
- IAPMO/UPC
- Canadian Standards Association (CSA)
- NSF 61 section 9
- States of Massachusetts, New York, & Texas

COLORS/FINISHES

- 0 White
- Other Refer to Fixtures Price Book for additional colors

Accessories:

- NA None Applicable

SPECIFIED MODEL:

Model	Description	Colors/Finishes	
K-5293	Drinking fountain	<input type="checkbox"/> 0 White	<input type="checkbox"/> Other_____
K-5295	Cuspidor	<input type="checkbox"/> 0 White	<input type="checkbox"/> Other_____

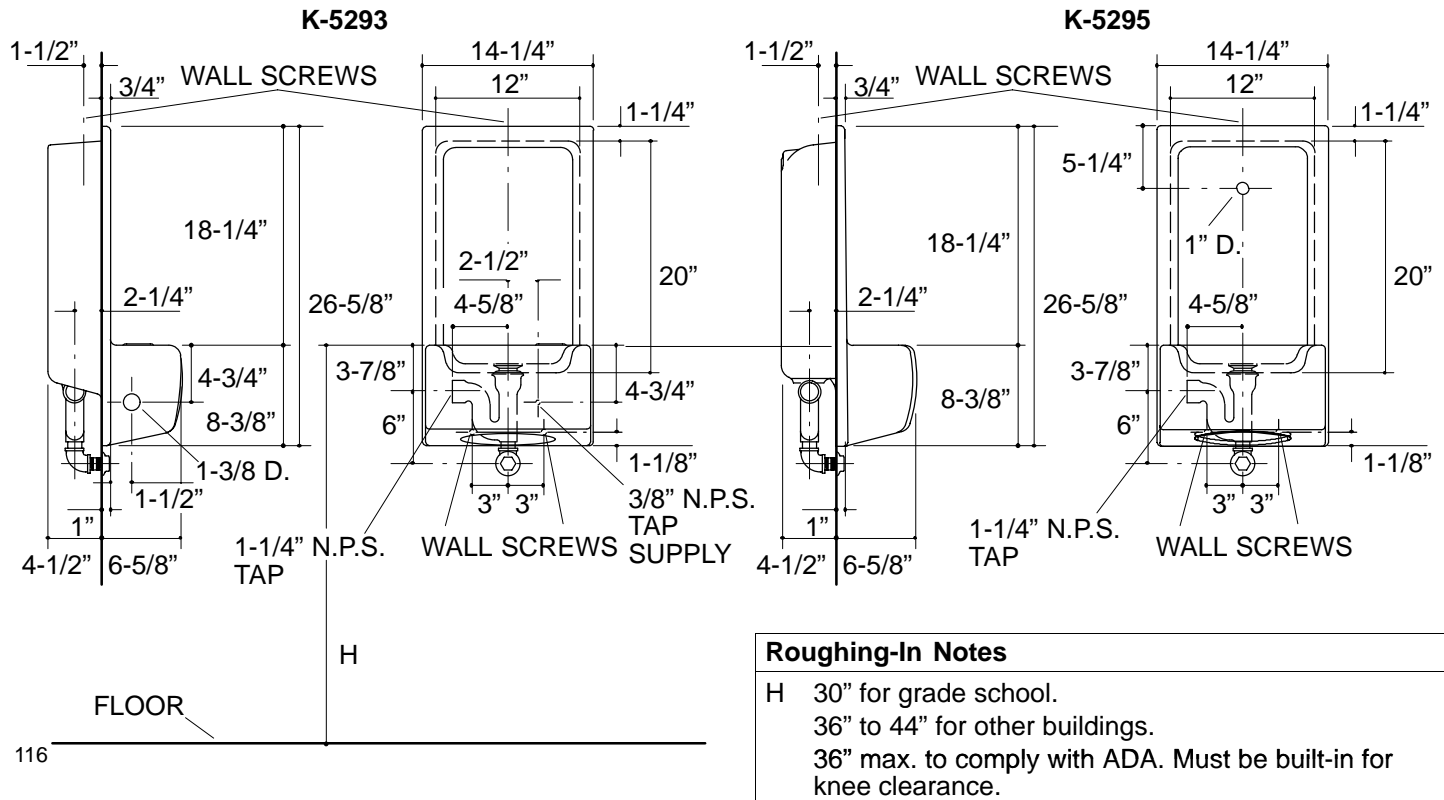
PRODUCT SPECIFICATION:

The semi-recessed drinking fountain and cuspidor shall be made of vitreous china. Drinking fountain and cuspidor shall have 1-1/4" trap with strainer and supply fitting. Drinking fountain shall be Kohler Model K-5293-_____, and cuspidor shall be Kohler Model K-5295-_____.

GLENBROOK™ / GLENGUARD™

PRODUCT INFORMATION

Included Components:	
Condensation plate assembly	34902
Bubbler assembly	35301
Supply stop assembly	79186
Trap	35314
Wall screw access pack	52054



PRODUCT DIAGRAM