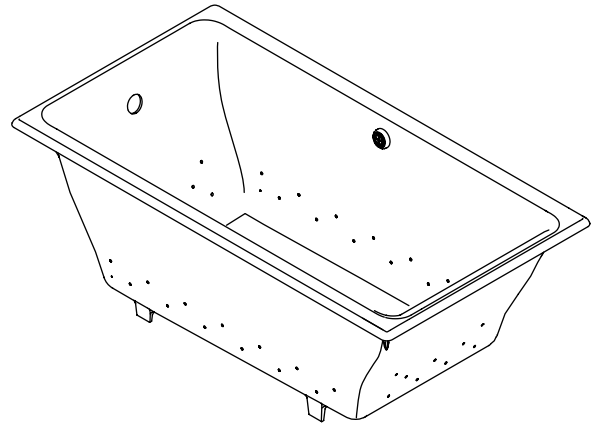


Features

- Cast iron with Safeguard® finish
- Blower motor with 300 W heater and electronic back-lit user control
- 43 BubbleMassage™ airjets
- 18 levels of airflow adjustability
- With Zones of Control™, surge, and automatic purge features
- 66" (167.6 cm) x 36" (91.4 cm) x 24" (61 cm)

5.5' (1.7 m) BUBBLEMASSAGE™ BATH K-809-G



Codes/Standards Applicable

Specified model meets or exceeds the following:

- ASME A112.19.1/CSA B45.2
- ASME A112.19.7M
- CSA C22.2 No 218.2
- UL 1795

Colors/Finishes

- 0: White
- CP: Polished Chrome
- NA: None applicable
- Other: Refer to Price Book for additional colors/finishes

Specified Model

Model	Description	Airjet Trim Color		Colors/Finishes	
K-809-G	5.5' (1.7 m) BubbleMassage bath	<input type="checkbox"/> CP	<input type="checkbox"/> Other_____	<input type="checkbox"/> 0	<input type="checkbox"/> Other_____
Required Accessories					
K-7145	Bath drain OR			<input type="checkbox"/> CP	<input type="checkbox"/> Other_____
K-7265	Toe tap bath drain			<input type="checkbox"/> CP	<input type="checkbox"/> Other_____
Optional Accessories					
K-587	Undermount installation kit (template and installation guide)			<input type="checkbox"/> NA	
K-1491	Removable pillow	<input type="checkbox"/> 0			<input type="checkbox"/> Other_____
K-1601	Removable footstop	<input type="checkbox"/> 0			<input type="checkbox"/> Other_____
K-1705	Remote control			<input type="checkbox"/> NA	
K-9498	3" (7.6 cm) keypad trim			<input type="checkbox"/> CP	<input type="checkbox"/> Other_____

Product Specification

The BubbleMassage bath shall be made of cast iron with Safeguard finish. Bath shall be 66" (167.6 cm) in length, 36" (91.4 cm) in width, and 24" (61 cm) in height. Bath shall have 43 BubbleMassage airjets. Bath shall have a blower motor with 300 W heater and electronic back-lit user control. Bath shall have 18 levels of airflow adjustability. Bath shall be with Zones of Control™, surge, and automatic purge features. Bath shall be Kohler Model K-809-G _____-_____.

Technical Information

Fixture*:				
Bathing well:				
Basin area, bottom	45" (114.3 cm) x 25" (63.5 cm)			
Basin area, top	58" (147.3 cm) x 29" (73.7 cm)			
Weight	510 lbs (231.3 kg)			
To overflow:				
Water depth	17-3/4" (45.1 cm)			
Capacity	97 gal (367.2 L)			
* Approximate measurements for comparison only.				
Drop-in cut-out		64-1/2" (163.8 cm) x 34-1/2" (87.6 cm)		
Cut-out for undermount		K-587 template		
Blower motor:	Heater	V	Hz	A
	300 W	220-240	50/60	3

Required Electrical Service

Dedicated circuit required, protected with Class A Ground-Fault Circuit-Interrupter (GFCI):	
Blower motor/control	220-240 V, 15 A, 50/60 Hz

Installation Notes

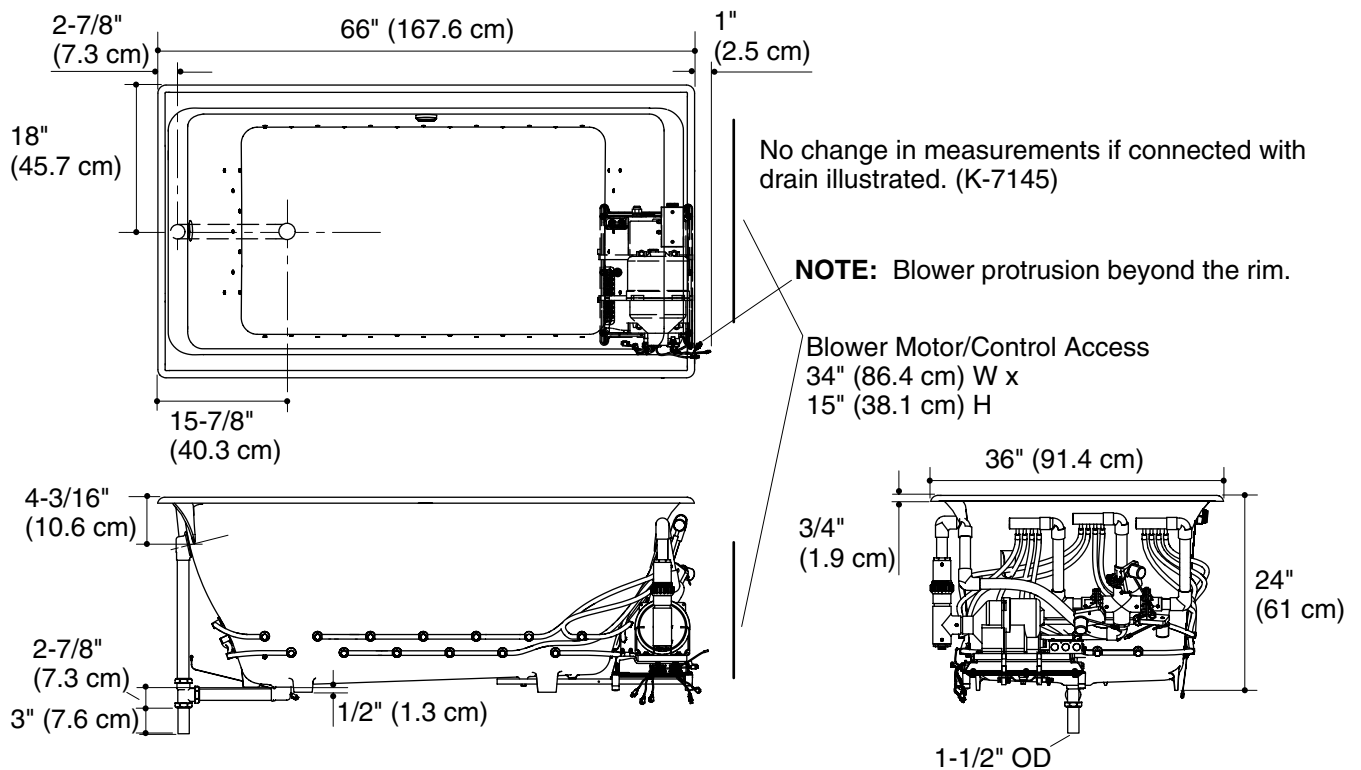
Install this product according to the installation guide.

NOTICE: If the blower motor and check valve are relocated, two access panels are required. Locate one access panel at the blower motor/control location and the other at the control box. Locate the blower motor and check valve together.

Floor support under bath must provide for a minimum of 82 lbs/square foot (398 kg/square meter) loading.

Splitting the deck/surround is recommended if installing into a deck.

Hot water supply should be 70% of capacity or greater. Installations will vary.



Product Diagram