

INSTALLATION

G U I D E

FLOOR MOUNT
BATH FILLER
SPOUT

K-8359, K-8359M

THE BOLD LOOK
OF **KOHLER**®

RECOMMENDED TOOLS AND MATERIALS



Plumbers Putty



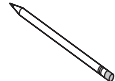
Drill



Tape Measure



Masking Tape



Pencil



Level

BEFORE YOU BEGIN

- The dimensions given assume the spout and bath are mounted on the same surface. Adjust dimensions accordingly if they are mounted on different surfaces.
- The 2x4 construction should tuck under the outer rim of the sōk bath.
- Installer-supplied copper tubing to be: 5/8" O.D. (1/2" nominal).
- Plaster guard diameter is approximately 7/8" (2.2cm) from the spout.
- Leave protective sleeve on spout supply tube until spout installation. This is an O-ring sealing surface which may be damaged when unprotected.
- The finished wall to which the spout is installed should add less than 1-1/2" (3.8cm) thickness to the outside of the rough-in wall.
- For installation on baths other than sōk a wider deck may be required. Carefully review this document and any appropriate rough-in sheets. Design bath enclosure accordingly.
- Kohler Co. reserves the right to make revisions in the design of faucets without notice, as specified in the Price Book.

1. INSTALLATION

CONSTRUCT WALL

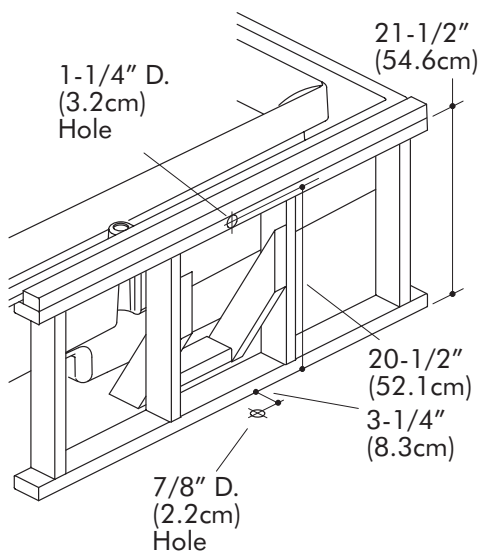
Construct a 2x4 surround around the bathing fixture. The wall may be higher than the 21-1/2" (54.6cm) shown, but the hole for the mounting bracket must be 20-1/2" (52.1cm) from the floor to the center.

If desired (depending on the design of the finished wall) cut down a 2x4 (shown in diagram) to fit flush with the rough wall exterior and match the sōk outer rim height.

Locate the position along the wall in which the spout will be mounted and mark the floor and the base 2x4.

From the mark measure a distance of 3-1/4" (8.3cm) from the outside surface of the rough wall on the floor. Cut a 7/8" (2.2cm) hole for the stem mounting assembly.

Measure and mark a spot 20-1/2" (52.1cm) directly above the floor mark. Drill a 1-1/4" (3.2cm) wide x 2-1/4" (5.7cm) deep hole perpendicular to the surface of the wall using the mark in the 2x4 as the center point.



INSTALL SPOUT SUPPLY TUBE

Drill a 7/8" D. (2.2cm) hole at the proper location in the floor.

Slide brass washer from bottom of spout supply tube over threads until washer reaches supply tube shoulder.

Insert spout supply tube through mounting hole from top of floor. Ensure flat portion of washer faces forward. Spout supply tube will be suspended by washer.

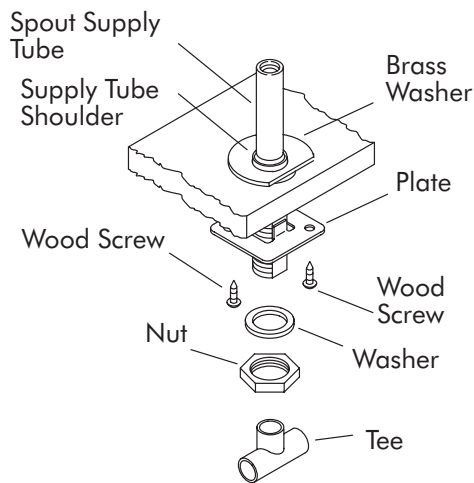
Secure plate (oriented with tabs toward deck) to floor or wooden support with two wood screws, nut, and washer.

Plumb supply to supply tube using 1/2" Nominal or 5/8" O.D. copper tubing.

Ensure valve(s) are closed (see valve instructions).

NOTE: Leave protective sleeve on spout supply tube until spout installation.

Install the tee to the supply assembly with solder if required by valves.



Thread 3/8" pipe plug into top of spout supply tube.

Ensure valves are closed (cold fully counterclockwise, hot fully clockwise).

Turn on main water supply and check installation for leaks with valves closed and open. Repair as required.

Close both valves. Turn off main water supply.



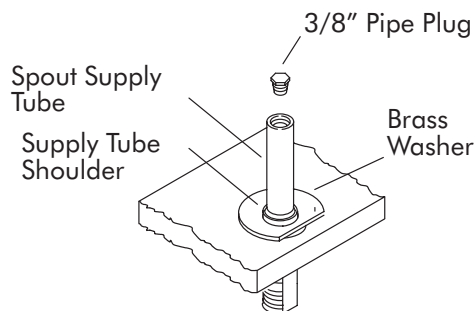
WARNING: Risk of personal injury. Lines will be pressurized. Do not lean over pipe plug when turning or removing the plug.

Wrap a towel around the pipe plug to prevent water spray. Water will purge from the supply tube when you remove the plug.

Carefully back out pipe plug to relieve pressure.

Thread pipe plug into spout supply tube. Leave pipe plug installed until spout and handle installation.

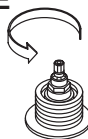
Install cardboard plaster guards over spout supply tube. Leave in place until spout installation.



CLOSE HOT VALVE



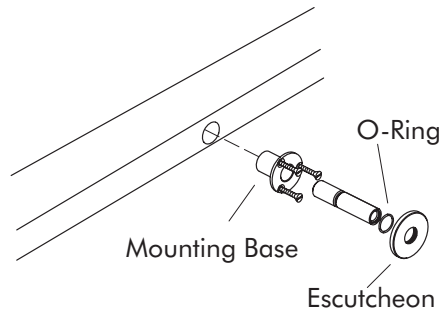
CLOSE COLD VALVE



INSTALL THE STANDOFF SPOUT SUPPORT

Install the mounting base into the hole in the rough wall. Secure with the screws provided.

Thread the standoff rod into the mount until it stops.



INSTALL THE STANDOFF SPOUT SUPPORT AND SPOUT

Remove cardboard plaster guard from supply tube.

Slide the spout over the supply tube. Adjust spout height by loosening lock nut and rotating base as required. When the spout is properly adjusted the standoff rod can be threaded out of the mounting base and into the boss of the spout by hand.

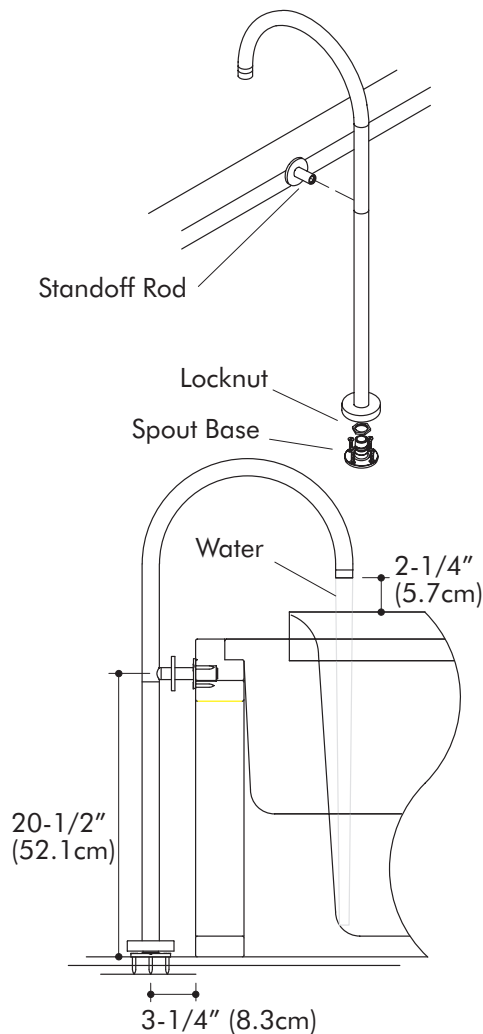
When spout is in place trace the spout base on the rough floor with a pencil. This circle is the floor rough-in guide.

Retighten lock nut once adjusted and thread standoff rod into mount.

Check for proper fit. See diagram.

Remove spout and standoff rod.

Re-install cardboard plaster guard.



FINAL INSTALLATION

Install finished floor and walls. Do not install floor over marked area around spout base.

Re-install spout and attach the standoff rod.

Attach base of spout to exposed subfloor using four wood screws provided.

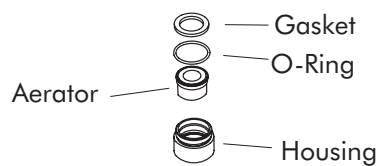
Slide base and standoff escutcheon into place.

FLUSH THE SPOUT

Remove the aerator assembly before running water.

Run water to flush spout.

Reinstall aerator.



CALL US FOR HELP

Questions? Problems? First review the installation instructions to ensure correct installation. For additional assistance, call our Customer Service Department for direct help. You may also contact us at our web site listed below.

In the U.S.A., call 1-800-4-KOHLER

In Mexico, call 001-877-680-1310

In Canada, call 1-800-964-5590

THE BOLD LOOK
OF **KOHLER**®

www.kohlerco.com