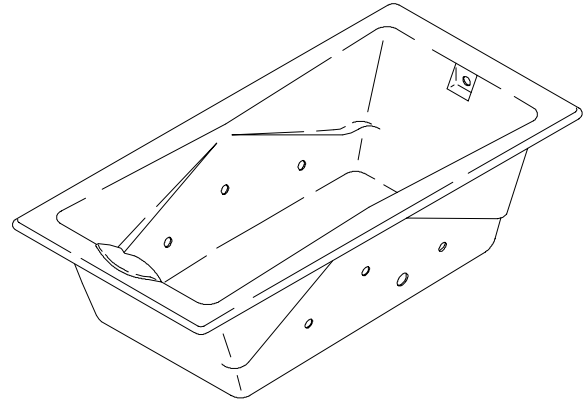


K-865-H2, K-865-N1

FEATURES

- 71-3/4" (182.2cm) x 36" (91.4cm) x 20-7/8" (53cm)
- Cast iron with Safeguard® slip-resistant finish
- K-865-N1 - 2 hp variable speed pump with 1.5 kW heater, back-lit user control, and pulsating neckjets pillow
- K-865-H2 - 1.5 hp variable speed pump with 1.5 kW heater, and back-lit user control
- 6 Flexjets
- LESS ALL TRIM



CODES/STANDARDS APPLICABLE

Specified model meets or exceeds the following:

- ASME/ANSI A112.19.1M
- ASME/ANSI A112.19.7M
- IAPMO/UPC
- Underwriters Laboratories (UL)

COLORS/FINISHES

- 0 White
- Other Refer to Fixtures Price Book for additional colors

Accessories:

- CP Polished Chrome
- PB Polished Brass
- NA None Applicable
- Other Refer to Price Book for additional finishes

SPECIFIED MODEL:

Model	Description	Colors/Finishes	
K-865-H2	Bath whirlpool	<input type="checkbox"/> 0 White	<input type="checkbox"/> Other _____
K-865-N1	Bath whirlpool with neckjets and pillow (shown)	<input type="checkbox"/> 0 White	<input type="checkbox"/> Other _____

Required Accessories				
K-9696	Jet trim kit	<input type="checkbox"/> CP	<input type="checkbox"/> PB	<input type="checkbox"/> Other _____
K-7169-AF	Drain	<input type="checkbox"/> CP	<input type="checkbox"/> PB	<input type="checkbox"/> Other _____
Optional Accessories				
K-582	Undermount installation kit (template and installation instructions) K-865-H2 only			<input type="checkbox"/> NA
K-1179	Vinyl tiling-in bead (use when wall material contacts any top surface of bath)			<input type="checkbox"/> NA
K-1491	Pillow	<input type="checkbox"/> 0 White	<input type="checkbox"/> Other _____	
K-1601	Footstop	<input type="checkbox"/> 0 White	<input type="checkbox"/> Other _____	
K-1703	Remote control (for K-865-H2) OR			<input type="checkbox"/> NA
K-1705	Remote control (for K-865-N1)			<input type="checkbox"/> NA

PRODUCT SPECIFICATION:

The bath whirlpool shall be 71-3/4" (182.2cm) in length, 36" (91.4cm) in width, and 20-7/8" (53cm) in height. Bath whirlpool shall be made of cast iron with Safeguard® finish. K-865-N1 bath whirlpool shall have 6 Flexjets, 2 hp variable speed pump, 1.5 kW heater, back-lit user control, and pulsating neckjets pillow. K-865-H2 bath whirlpool shall have 6 Flexjets, 1.5 hp variable speed pump, 1.5 kW heater, and back-lit user control. Bath whirlpool shall be less all trim. Bath whirlpool shall be Kohler Model K-865-_____.

TEA-FOR-TWO™

PRODUCT INFORMATION

Fixture*:	basin area	top area	weight
Bathing well	49" (124.5cm) x 22" (55.9cm)	62" (157.5cm) x 28" (71.1cm)	455 lbs. (206.4kg)
	water depth	capacity	
To overflow	17" (43.2cm)	89 gal. (336.9L)	

* Approximate measurements for comparison only.

Product	Pump	Heater	Voltage	Frequency	Amperage
Neckjets	2 HP	1.5 kW	240 V	50/60 Hz	15 A
w/o Neckjets	1.5 HP	1.5 kW	240 V	50/60 Hz	11 A

REQUIRED ELECTRICAL SERVICE

Dedicated circuit required, protected with Class A Ground-Fault Circuit-Interrupter (GFCI) or Earth-Leakage Circuit-Breaker (ELCB):

Pump/control	220/240 V, 20 A, 50/60 Hz
--------------	---------------------------

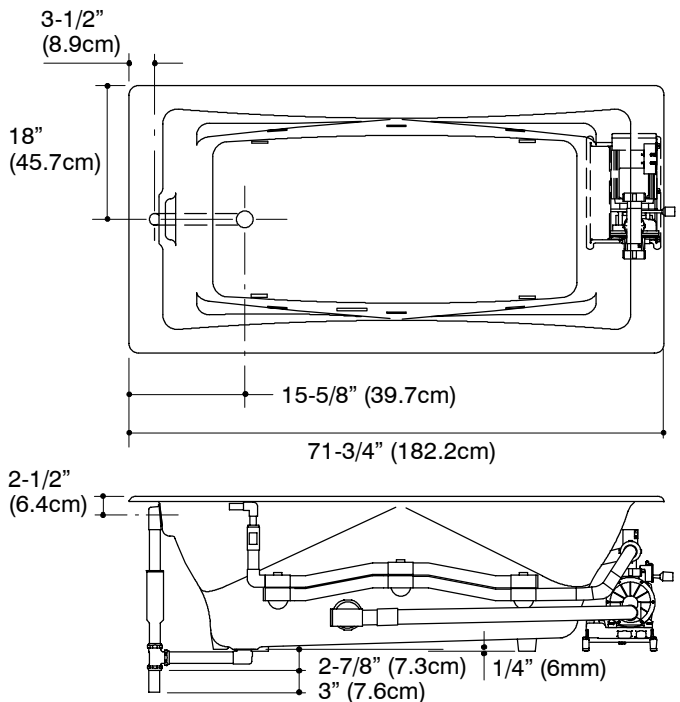
INSTALLATION NOTES

Install this product according to the installation guide.

Floor support under whirlpool must provide for a minimum of 1800 lbs. (816.5kg)

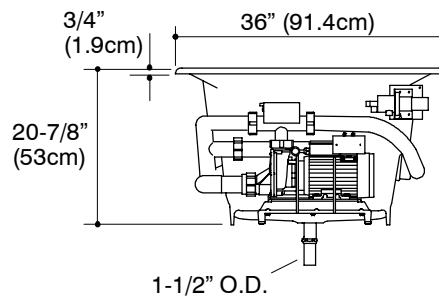
Hot water supply should be 70% of capacity or greater. Installations will vary.

K-865-N1 cannot be undermounted.



No change in measurements if connected with drain illustrated. (K-7169-AF or K-7169M-AF)		
Drop-in cut-out	70-1/4" (178.4cm) x 34-1/2" (87.6cm)	
Cut-out for undermount	K-582 template for K-865-H2 only	
Minimum access panel:		
Pump/control	34" (86.4cm) W x 15" (38.1cm) H	required

PUMP/CONTROL ACCESS



PRODUCT DIAGRAM