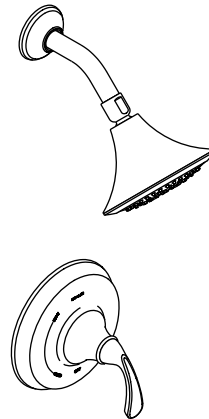


**PRESSURE-BALANCING SHOWER
VALVE TRIM
K-T10276**

Features

- Metal construction
- Intended for use with Rite-Temp® or HiFlow Rite-Temp® valves
- Variety of handle style options
- Includes showerhead with arm and flange, and faceplate with handle
- 2.0 gpm (7.6 lpm) showerhead with Katalyst™ Spray Technology



Codes/Standards Applicable

Specified model meets or exceeds the following:

- ASME A112.18.1/CSA B125.1

Colors/Finishes

- CP: Polished Chrome
- Other: Refer to Price Book for additional colors/finishes

Accessories

- NA: None applicable

Specified Model

Model	Description	Colors/Finishes	
K-T10276-4E	Shower valve trim – sculpted lever handle (shown)	<input type="checkbox"/> CP	<input type="checkbox"/> Other ____
K-T10276-4AE	Shower valve trim – traditional lever handle	<input type="checkbox"/> CP	<input type="checkbox"/> Other ____
Rite-Temp valve must be ordered to complete faucet.			

Product Specification

The Rite-Temp® pressure-balancing single-control shower valve trim shall be made of metal construction. Product shall include showerhead with arm and flange, and faceplate with handle. Product shall be intended for use with Rite-Temp or HiFlow Rite-Temp valves. Product shall have variety of handle style options. Product shall feature 2.0 gpm (7.6 lpm) showerhead with Katalyst Spray Technology. Faucet trim shall be K-T10276-____-____ and Rite-Temp valve shall be K-304-____-NA OR K-306-KS-NA HiFlow Rite-Temp valve.

FORTÉ® RITE-TEMP®

Technical Information

Required Accessories		
K-304-K	Rite-Temp valve without stops OR	<input type="checkbox"/> NA
K-304-KS	Rite-Temp valve with stops OR	<input type="checkbox"/> NA
K-306-KS	HiFlow Rite-Temp valve with stops OR	<input type="checkbox"/> NA
K-304-KP	Rite-Temp valve with PVC connections	<input type="checkbox"/> NA

Recommended Accessories	
HiFlow Rite-Temp thin wall installation kit*	88526
*Required when using the K-306-KS valve in a fiberglass or acrylic installation.	
Optional Accessories	
Forté deep roughing-in kit for Rite-Temp valve (lever handles)	1025388

Install Rite-Temp valve according to valve installation guide. Avoid cross-flow conditions. Do not install shut-off device on either valve outlet.

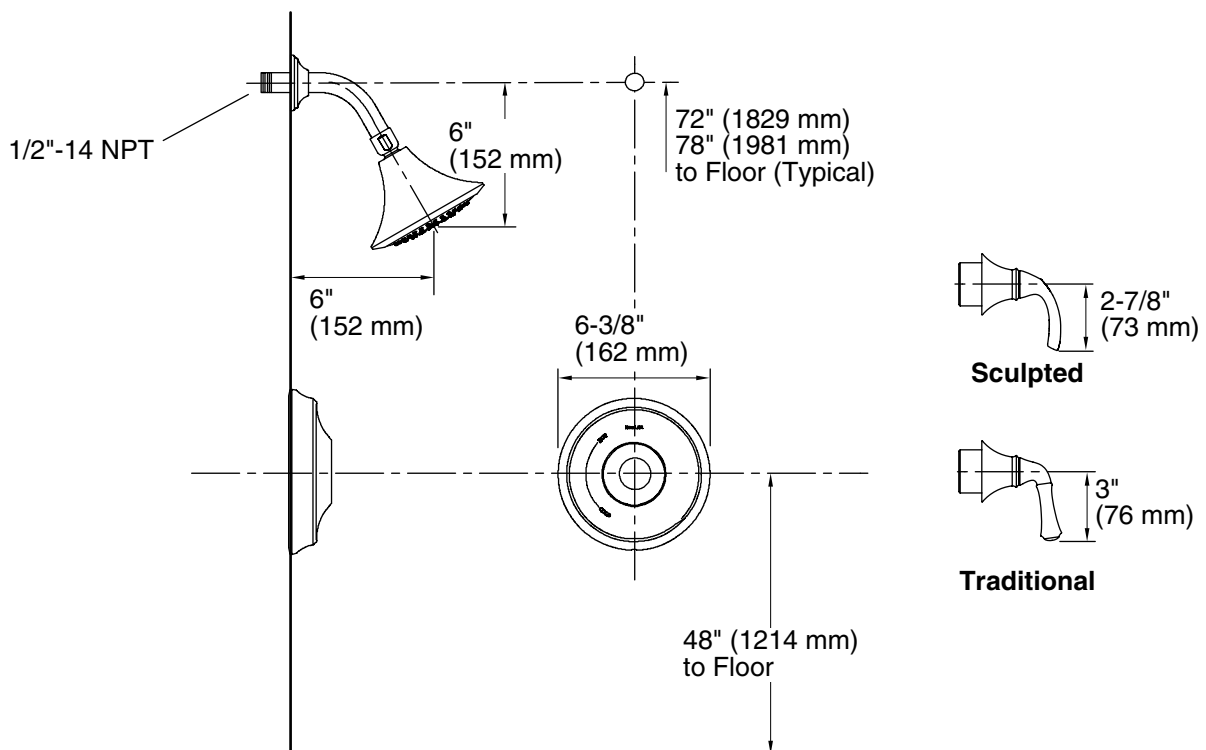
Cap shower outlet if deck-mounted spout, diverter, or handshower is connected to the spout outlet.

Install straight pipe or tube drop of 7" (178 mm) to 18" (457 mm) with single elbow between valve and wall-mount spout.

Installation Notes

Install this product according to the installation guide.

NOTICE: Risk of damage to the K-306-KS valve assembly. When using the K-306-KS valve in a fiberglass or acrylic installation, use the thin wall installation kit (88526).



Product Diagram