

Features

- Metal construction
- Brass valve bodies
- High-temperature limit stop for added safety
- Rite-Temp pressure-balancing diaphragm design valve
- Pressure-balancing mechanism of one-piece diaphragm cartridge design for ease of maintenance
- Mixing valve cycles from "cold" to "hot"
- Intended for use with Rite-Temp or HiFlow Rite-Temp valves
- Lever handle

Codes/Standards Applicable

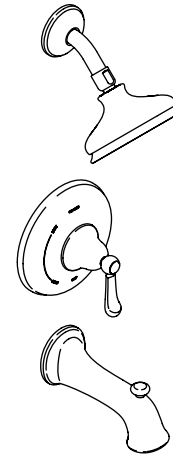
Specified model meets or exceeds the following:

- ASME A112.18.1/CSA B125.1
- IAPMO/UPC
- ADA

**BATH/SHOWER VALVE TRIM
K-T10333**

ALSO K-T10334, K-T10335, K-10336

ADA



Colors/Finishes

- CP: Polished Chrome
- Other: Refer to Price Book for additional colors/finishes

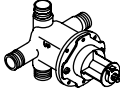
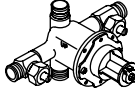
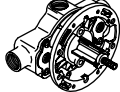
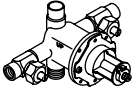
Specified Model

Model	Description	Colors/Finishes	
K-T10333-4	Bath/shower valve trim with 1/2" NPT threaded diverter spout	<input type="checkbox"/> CP	<input type="checkbox"/> Other_____
K-T10333-4S	Bath/shower valve trim with slip-fit diverter spout	<input type="checkbox"/> CP	<input type="checkbox"/> Other_____
K-T10334-4	Shower valve trim, less diverter spout	<input type="checkbox"/> CP	<input type="checkbox"/> Other_____
K-T10335-4	Valve only trim	<input type="checkbox"/> CP	<input type="checkbox"/> Other_____
K-10336	NPT diverter bath spout	<input type="checkbox"/> CP	<input type="checkbox"/> Other_____
K-10336-S	Slip-fit diverter bath spout	<input type="checkbox"/> CP	<input type="checkbox"/> Other_____
K-10337	NPT non-diverter bath spout	<input type="checkbox"/> CP	<input type="checkbox"/> Other_____
K-10337-S	Slip-fit non-diverter bath spout	<input type="checkbox"/> CP	<input type="checkbox"/> Other_____
Accessories are listed on the next page.			

Product Specification

The bath/shower valve trim shall be made of metal construction with brass valve bodies. Product shall have a Rite-Temp pressure-balancing diaphragm design valve and pressure-balancing mechanism of one-piece diaphragm cartridge design for ease of maintenance. Product shall feature mixing valve cycles from "cold" to "hot," as well as a high-temperature limit stop for added safety. Product shall feature a single lever handle. Product is intended for use with Rite-Temp or HiFlow Rite-Temp valves. Valve trim shall be Kohler Model K-_____-_____-_____ and required Rite-Temp or HiFlow Rite-Temp valve shall be K-_____-_____.

LYNTIER™ RITE-TEMP™

Required Accessories					
K-304-K	Rite-Temp valve without stops, NPT connections	<input type="checkbox"/> NA			
K-304-KS	Rite-Temp valve with stops, NPT connections		<input type="checkbox"/> NA		
K-306-KS	HiFlow Rite-Temp valve with stops, NPT conn.			<input type="checkbox"/> NA	
K-304-KP	Rite-Temp valve with PVC connections				<input type="checkbox"/> NA

Optional Accessories		
1048737	Rite-Temp and HiFlow Rite-Temp thick wall installation kit	<input type="checkbox"/> NA

Installation Notes

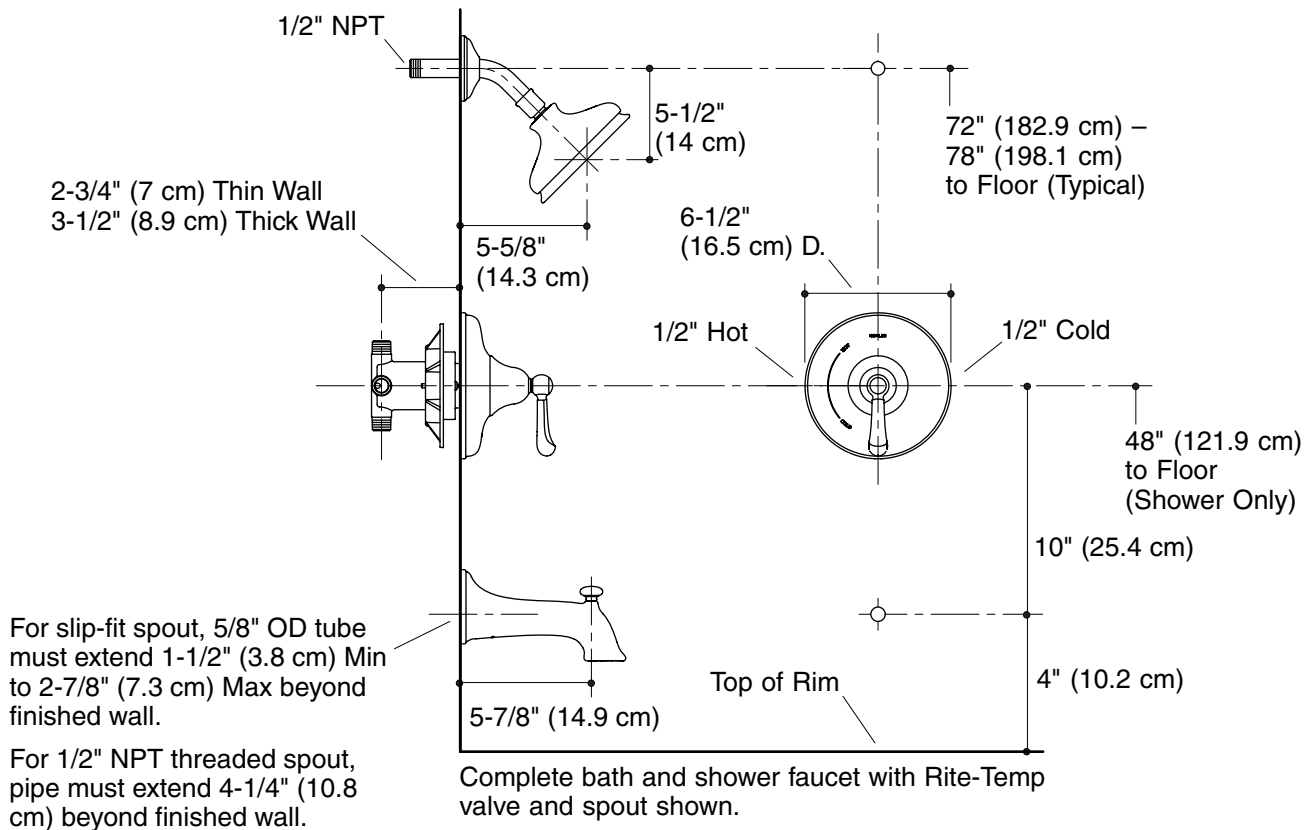
Install the valve trim according to the installation guide.

Install the Rite-Temp or HiFlow Rite-Temp valve according to the installation guide.

Avoid cross-flow conditions. Do not install a shut-off device on either valve outlet.

Cap the shower outlet if the deck-mounted spout, diverter, or handshower is connected to the spout outlet.

Install a 7" (17.8 cm) to 18" (45.7 cm) straight pipe or straight tube with single bath elbow between the valve and the wall-mount spout.



Product Diagram