

**IV GEORGES BRASS®**

**Features**

- Brass construction
- Deck-mount
- Available with cross or lever handles.

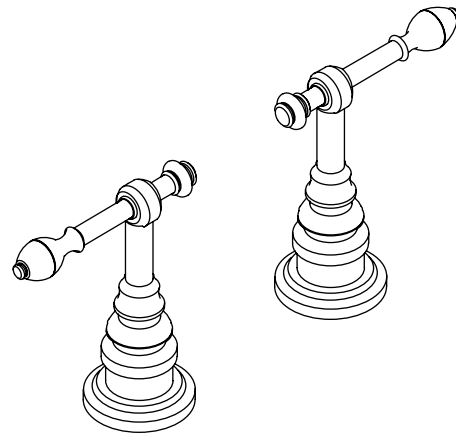
**BATH FAUCET TRIM  
K-T6915  
ALSO K-301-K**

ADA

**Codes/Standards Applicable**

Specified model meets or exceeds the following:

- ASME A112.18.1/CSA B125.1
- IAPMO/UPC
- ADA





**Colors/Finishes**

- PB: Polished Brass
- Other: Refer to Price Book for additional colors/finishes

**Accessories**

- CP: Polished Chrome
- PB: Polished Brass
- Other: Refer to Price Book for additional colors/finishes
- NA: None applicable

**Specified Model**

Model	Description	 ADA	 ADA
K-T6915-3	With Cross Handles	<input type="checkbox"/> PB <input type="checkbox"/> Other _____	
K-T6915-4	With Lever Handles		<input type="checkbox"/> PB <input type="checkbox"/> Other _____
<b>Required Accessories</b>			
K-301-K	3/4" High-Flow Ceramic Disc Valve System		<input type="checkbox"/> NA

**Product Specification**

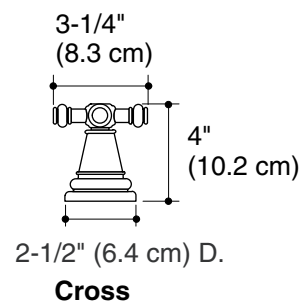
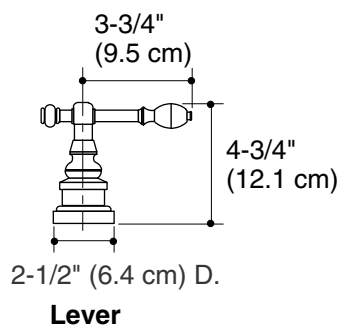
Two-handle deck-mount high-flow bath faucet trim shall be of brass construction. Product shall include cross or lever handles. Faucet trim shall be Kohler Model K-T6915-\_\_\_\_\_-\_\_\_\_ and valve system shall be Kohler Model K-301-K-NA.

# IV GEORGES BRASS®

Optional Accessories			
K-6792	IV Georges Brass™ Accent Kit	<input type="checkbox"/> PB	<input type="checkbox"/> Other ____
K-6795	IV Georges Brass™ Accent Kit	<input type="checkbox"/> PB	<input type="checkbox"/> Other ____
K-6797	IV Georges Brass™ Accent Kit	<input type="checkbox"/> PB	<input type="checkbox"/> Other ____
58598	Deep roughing-in kit for high-flow deck-mount bath faucets (all handles)	<input type="checkbox"/> CP	<input type="checkbox"/> Other ____

## Installation Notes

Install this product according to the installation guide.



## Product Diagram