

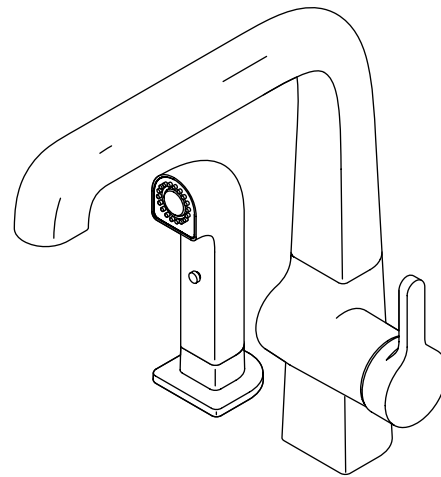
**KITCHEN SINK FAUCET  
K-6333**

**ALSO K-6334, K-6335, K-6336**

**ADA**

**Features**

- Metal construction
- One-piece, self-contained ceramic disc valve allows both volume and temperature control
- Temperature memory allows faucet to be turned on and off at any temperature setting
- High-temperature limit setting for added safety
- ADA compliant lever handle
- Flexible connections for easy installation
- Single-hole mounting
- Available with or without matching finish sidespray
- 360° spout rotation with 10" (25.4 cm) clearance below the spout
- Available with 9" (22.9 cm) or 7" (17.8 cm) swing spout reach
- 2.2 gallons (8.3 L) per minute maximum flow rate



**Codes/Standards Applicable**

Specified model meets or exceeds the following at date of manufacture:

- ADA
- ASME A112.18.1/CSA B125.1
- ICC/ANSI A117.1
- Energy Policy Act of 1992
- NSF 61
- All applicable US Federal and State material regulations

**Colors/Finishes**

- CP: Polished Chrome
- Other: Refer to Price Book for additional colors/finishes

**Specified Model**

Model	Description	Colors/Finishes
K-6333	Kitchen sink faucet – 9" (22.9 cm) swing spout reach, without sidespray	<input type="checkbox"/> CP <input type="checkbox"/> Other ____
K-6334	Kitchen sink faucet – 9" (22.9 cm) swing spout reach, with sidespray (shown)	<input type="checkbox"/> CP <input type="checkbox"/> Other ____
K-6335	Kitchen sink faucet – 7" (17.8 cm) swing spout reach, without sidespray	<input type="checkbox"/> CP <input type="checkbox"/> Other ____
K-6336	Kitchen sink faucet – 7" (17.8 cm) swing spout reach, with sidespray	<input type="checkbox"/> CP <input type="checkbox"/> Other ____

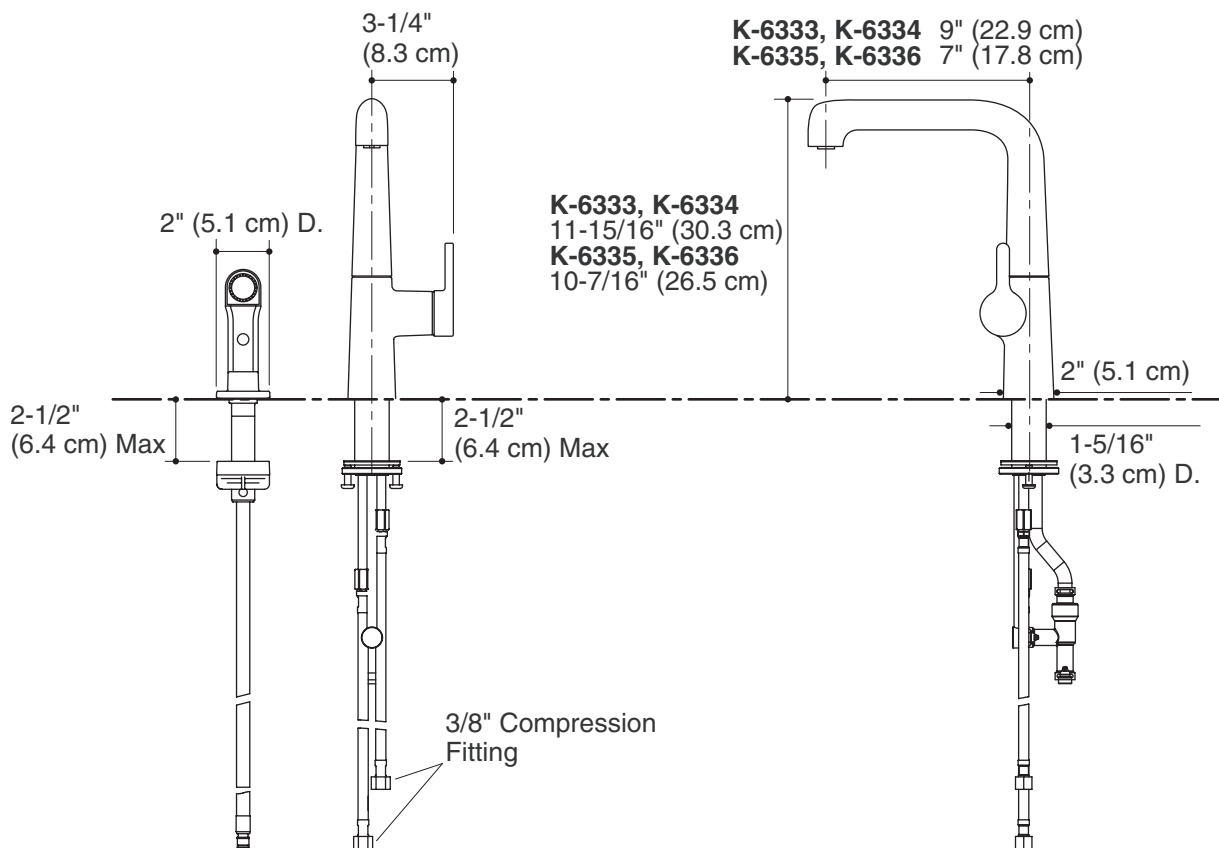
**Product Specification**

The kitchen sink faucet shall be of metal construction. Product shall feature a 2.2 gallon (8.3 L) per minute maximum flow rate. Product shall feature a one-piece, self-contained ceramic disc valve, which allows both volume and temperature control. Product shall feature temperature memory, allowing the faucet to be turned on and off at any temperature setting. Product shall feature a high temperature limit setting for added safety. Product shall feature an ADA compliant lever handle, 360° spout rotation with 10" (25.4 cm) clearance below the spout, and flexible connections for easy installation. Product shall be available with a 9" (22.9 cm) or 7" (17.8 cm) swing spout reach. Product shall be available with or without matching finish sidespray. Product shall be for single-hole mounting. Kitchen faucet shall be Kohler Model K-\_\_\_\_-\_\_\_\_.

# EVOKE™

## Installation Notes

Install this product according to the installation guide.



## Product Diagram