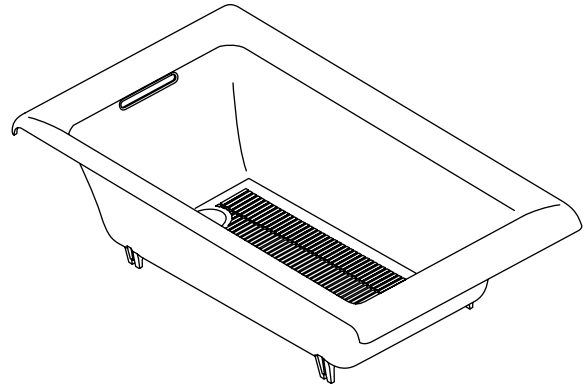


DROP-IN BATH K-896

Features

- Cast iron with Safeguard® finish
- Drop-in installation
- Integral grip rail along sides of bath
- Comfort Depth™ with low step-over height and slotted overflow increases bathing depth
- Optional wood seat available
- Less all trim
- 65-7/8" (167.3 cm) x 32-5/16" (82.1 cm) x 18" (45.7 cm)



Codes/Standards Applicable

Specified model meets or exceeds the following:

- ASME A112.19.1/CSA B45.2
- State of Massachusetts

Colors/Finishes

- 0: White
- Other: Refer to Price Book for additional colors/finishes

Accessories

- CP: Polished Chrome
- LAW: Light Antique Walnut
- Other: Refer to Price Book for additional colors/finishes

Specified Model

Model	Description	Colors/Finishes	
K-896	Drop-in bath	<input type="checkbox"/> 0	<input type="checkbox"/> Other _____
Required Accessories			
K-7272	Clearflo slotted overflow bath drain	<input type="checkbox"/> CP	<input type="checkbox"/> Other _____
Optional Accessories			
K-1172	Adjustable feet		<input type="checkbox"/> NA
K-1844	Wood seat	<input type="checkbox"/> LAW	

Product Specification

The bath shall be made of cast iron with Safeguard finish. Product shall be 65-7/8" (167.3 cm) in length, 32-5/16" (82.1 cm) in width, and 18" (45.7 cm) in height. Bath shall be for drop-in installation. Product shall feature Comfort Depth with low step-over height and slotted overflow which increases bathing depth. Product shall feature integral grip rail along sides of bath. Product shall have optional wood seat available. Product shall be less all trim. Bath shall be Kohler Model K-896-_____.

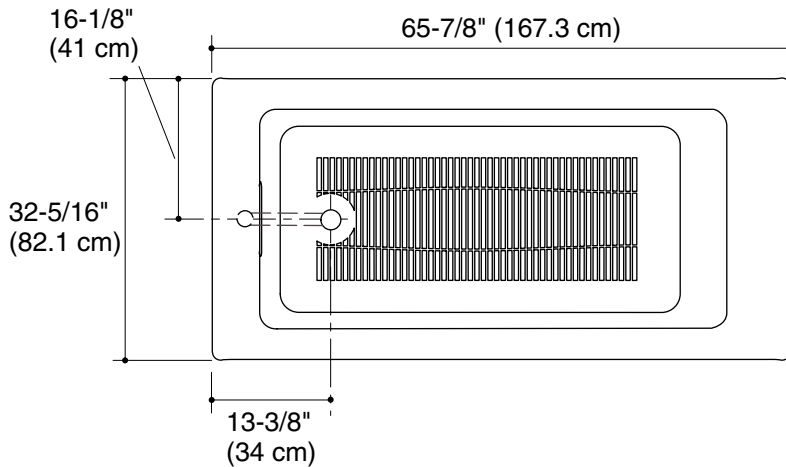
Technical Information

Fixture*:	
Bathing well:	
Basin area, bottom	45-3/4" (116.2 cm) x 21-3/8" (54.3 cm)
Basin area, top	60-7/8" (154.6 cm) x 30" (76.2 cm)
Weight	360 lbs (163.3 kg)
To overflow:	
Water depth	13-7/8" (35.2 cm)
Capacity	61 gal (231 L)
* Approximate measurements for comparison only.	
Drop-in cutout dimensions:	64-3/8" (163.5 cm) x 27-5/16" (69.4 cm)

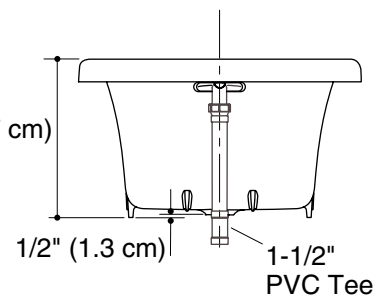
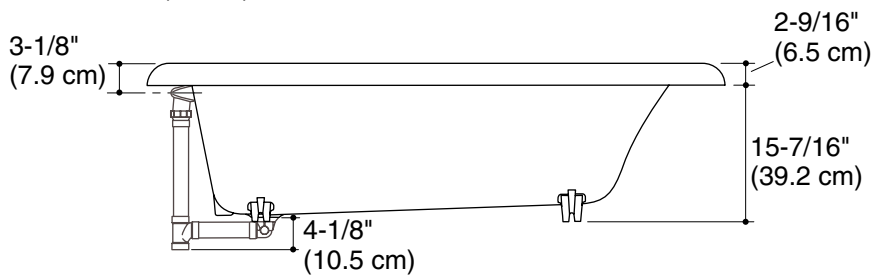
Installation Notes

Install this product according to the installation guide.

Floor support under bath must provide for minimum of 61 lbs/square foot (296 kg/square meter) loading.



No change in measurements with drain shown. (K-7272)



Product Diagram