

**Features**

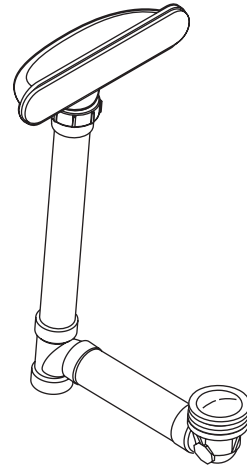
- Metal construction overflow cover and stopper
- Toe-activated closing
- No internal linkages to reduce clogging
- Swivel-ball joint construction
- Above or through-the-floor installation ensures flexibility during installation
- Includes PVC tee and pipe
- Vibrant PVD coating

**Codes/Standards Applicable**

Specified model meets or exceeds the following:

- ASME A112.18.2/CSA B125.2
- IAPMO/cUPC

**SLOTTED OVERFLOW BATH DRAIN  
K-7272**



**Colors/Finishes**

- CP: Polished Chrome
- Other: Refer to Price Book for additional colors/finishes

**Specified Model**

| Model  | Description                 | Colors/Finishes             |                                     |
|--------|-----------------------------|-----------------------------|-------------------------------------|
| K-7272 | Slotted overflow bath drain | <input type="checkbox"/> CP | <input type="checkbox"/> Other_____ |

**Product Specification**

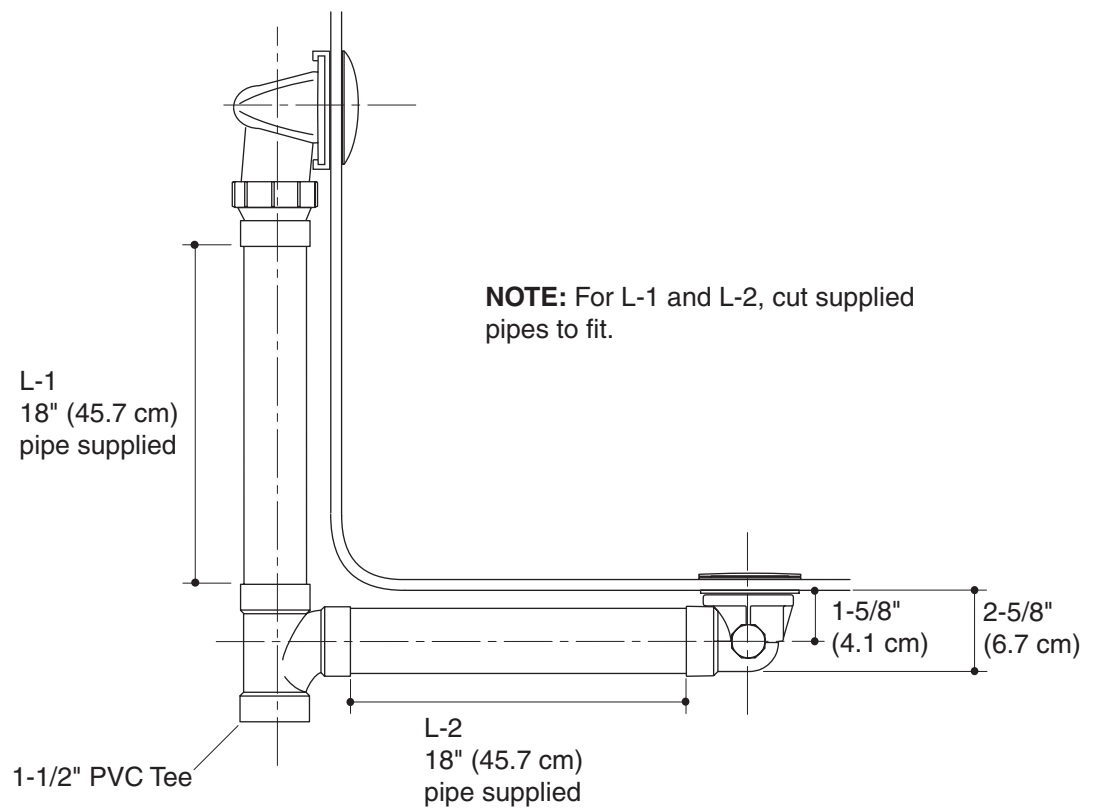
The bath drain overflow cover and stopper shall be of metal construction. Bath drain shall feature toe-activated closing with no internal linkages which reduces clogging. Bath drain shall feature swivel-ball joint construction that allows proper fit and sealing to the bath. Bath drain shall feature a vibrant PVD coating, which will prevent the bath drain finish from scratching, tarnishing, or corroding over time, and exceeds industry standards. Bath drain shall include PVC tee and pipe. Bath drain shall be for above or through-the-floor installation, which ensures flexibility during installation. Bath drain shall be Kohler Model K-7272-\_\_\_\_\_.

# CLEARFLO

## Installation Notes

Install this product according to the installation guide.

The PVC tubing noted as L-1 and L-2 are supplied and must be cut to the correct length.



## Product Diagram

CLEARFLO SLOTTED OVERFLOW BATH DRAIN

Page 2 of 2  
1069650-4-C

THE BOLD LOOK  
OF **KOHLER**