

**UTILITY SINK FAUCET
K-7320
ALSO K-7319**

ADA

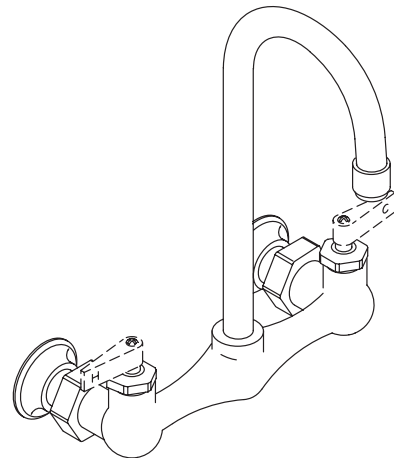
Features

- Brass construction
- Brass valve bodies
- Valvet® valves
- Available with rose spray or 2.2 gpm (8.3 lpm) aerator
- Lower flow aerator options are available (refer to the Kohler Price Book)
- Cross or lever handles
- For 8" (20.3 cm) centers
- 5-3/16" (13.2 cm) fixed gooseneck spout

Codes/Standards Applicable

Specified model meets or exceeds the following:

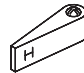

- ASME A112.18.1/CSA B125.1
- IAPMO/UPC
- Energy Policy Act of 1992 (EPACT)
- NSF 61
- ADA



Colors/Finishes

- CP: Polished Chrome
- Other: Refer to Price Book for additional colors/finishes

Specified Model

Model	Description	 <input type="checkbox"/> ADA	
K-7320-4	Faucet with 2.2 gpm (8.3 lpm) aerator and lever handles	<input type="checkbox"/> CP <input type="checkbox"/> Other__	
K-7320-3	Faucet with 2.2 gpm (8.3 lpm) aerator and cross handles		<input type="checkbox"/> CP <input type="checkbox"/> Other__
K-7319-4	Faucet with rose spray and lever handles	<input type="checkbox"/> CP <input type="checkbox"/> Other__	
K-7319-3	Faucet with rose spray and cross handles		<input type="checkbox"/> CP <input type="checkbox"/> Other__

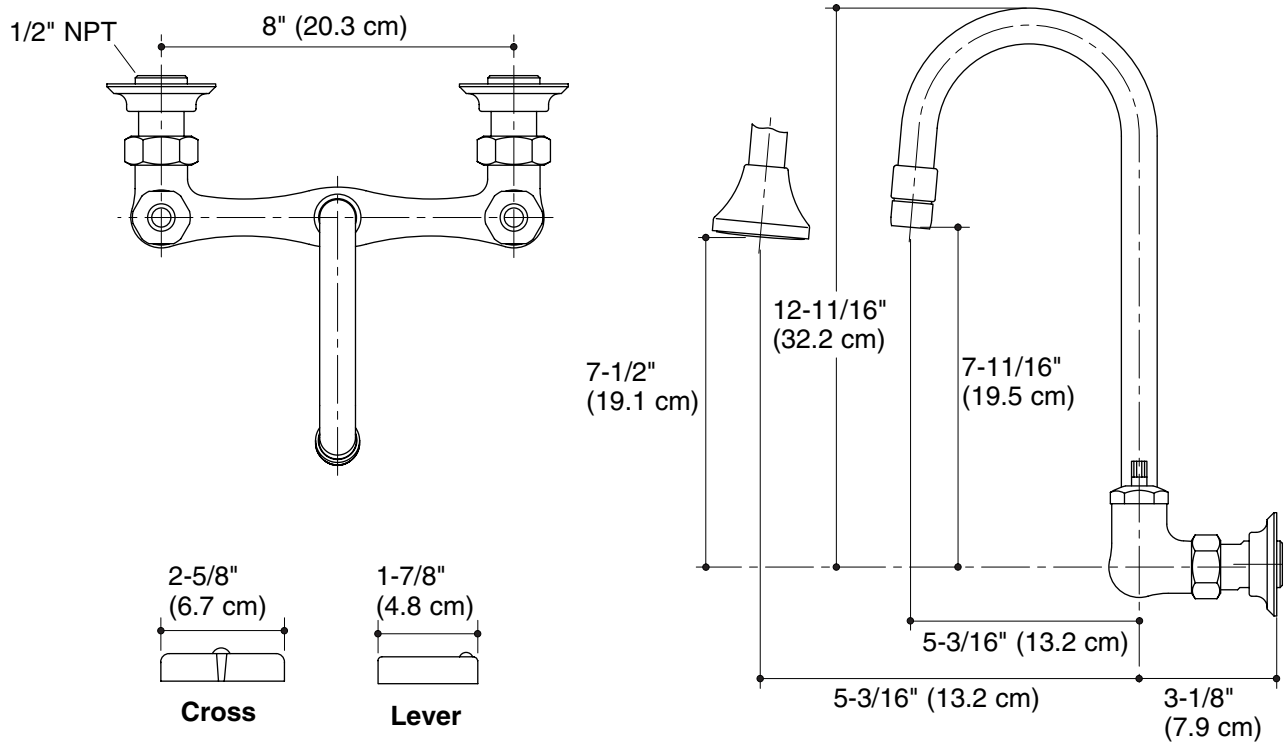
Product Specification

Two-handle utility sink faucet shall be of brass construction. Faucet shall feature brass valve bodies. Faucet shall also feature Valvet valves. Faucet shall include 8" (20.3 cm) centers, 5-3/16" (13.2 cm) fixed gooseneck spout, and cross or lever handles. Optional features shall include rose spray or 2.2 gpm (8.3 lpm) aerator. Faucet shall have lower flow aerator options. Faucet shall be Kohler Model K-_____-_____-_____.

TRITON®

Installation Notes

Install this product according to the installation guide.



Product Diagram