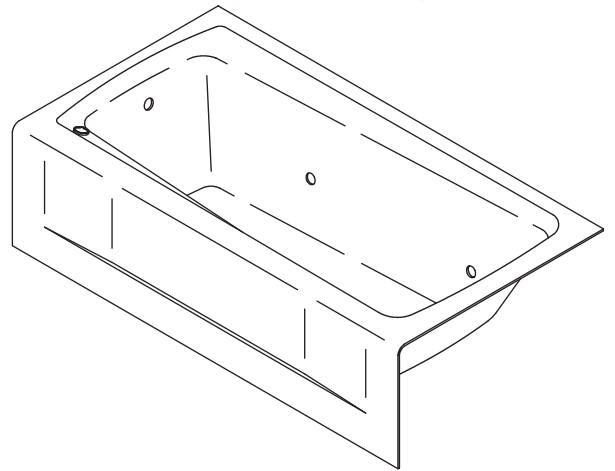


Features

- Cast iron with Safeguard® finish
- Left or right drain
- 1.5 hp variable speed pump with 1.5 kW heater, and back-lit user control
- 4 Flexjets
- UL listed
- LESS ALL TRIM
- 60" (152.4 cm) x 32" (81.3 cm) x 16-1/4" (41.3 cm)
- K-783-H2/K-784-H2 - Drilled for K-9620 grip rails (required)

BATH WHIRLPOOL K-513-H2

ALSO K-514-H2, K-783-H2, K-784-H2



Codes/Standards Applicable

Specified model meets or exceeds the following:

- ASME A112.19.1
- ASME A112.19.7
- IAPMO/UPC
- Underwriter's Laboratories (UL)

Colors/Finishes

- 0: White
- Other: Refer to Price Book for additional colors/finishes

Accessories:

- CP: Polished Chrome
- PB: Polished Brass
- Other: Refer to Price Book for additional colors/finishes

Specified Model

Model	Description	Colors/Finishes	
K-513-H2	Bath whirlpool (less grip rails), left drain hole	<input type="checkbox"/> 0 White	<input type="checkbox"/> Other_____
K-514-H2	Bath whirlpool (less grip rails), right drain hole	<input type="checkbox"/> 0 White	<input type="checkbox"/> Other_____
K-783-H2	Bath whirlpool (grip rails), left drain hole (shown)	<input type="checkbox"/> 0 White	<input type="checkbox"/> Other_____
K-784-H2	Bath whirlpool (grip rails), right drain hole	<input type="checkbox"/> 0 White	<input type="checkbox"/> Other_____

Required Accessories				
K-9694	Jet trim kit	<input type="checkbox"/> CP	<input type="checkbox"/> PB	<input type="checkbox"/> Other_____
K-9620	Grip rails (pair) - required for K-783/K-784-H2	<input type="checkbox"/> CP	<input type="checkbox"/> PB	<input type="checkbox"/> Other_____

Recommended Accessories				
K-7160-TF	Drain	<input type="checkbox"/> CP	<input type="checkbox"/> PB	<input type="checkbox"/> Other_____

Optional Accessories				
K-1491	Pillow	<input type="checkbox"/> 0 White	<input type="checkbox"/> Other_____	
K-1601	Footstop	<input type="checkbox"/> 0 White	<input type="checkbox"/> Other_____	

Product Specification:

The bath whirlpool shall be 60" (152.4 cm) in length, 32" (81.3 cm) in width, and 16-1/4" (41.3 cm) in height. Bath whirlpool shall be made of cast iron with Safeguard® finish. Bath whirlpool shall have 4 Flexjets, 1.5 hp variable speed pump, 1.5 kW heater, and back-lit user control. Bath whirlpool shall be UL listed. Bath whirlpool shall be less all trim. K-783-H2 and K-784-H2 bath whirlpool shall be drilled for K-9620 grip rails (required). Bath whirlpool shall be Kohler Model K-_____-_____-_____.

MENDOTA™/GUARDIAN™

Technical Information

Fixture:*	basin area	top area	weight
Bathing well	42-1/2" (108 cm) x 20" (50.8 cm)	53-3/4" (136.5 cm) x 24" (61 cm)	460 lbs. (208.7 kg)
	water depth	capacity	
To overflow	10-3/4" (27.3 cm)	45 gal. (170.3 L)	
* Approximate measurements for comparison only.			

Pump	Heater	Voltage	Frequency	Amperage
1.5 HP	1.5 kW	240	50/60 Hz	11 A

No change in measurements if connected with drain illustrated. (K-7160-TF or K-7160M-TF)

Minimum access panel:

Pump/control	32" (81.3 cm) W x 15" (38.1 cm) H	required
--------------	-----------------------------------	----------

Required Electrical Service

Dedicated circuit required, protected with Class A Ground-Fault Circuit-Interrupter (GFCI) or Earth-Leakage Circuit-Breaker (ELCB):

Pump/control 220-240 V, 20 A, 50/60 Hz

Installation Notes

NOTE: Pump protrusion beyond rim.

Install this product according to the installation guide.

Floor support under whirlpool must provide for a minimum of 1200 lbs. (544.3 kg) loading.

