

OBSERVE ALL LOCAL PLUMBING CODES

IMPORTANT: PLEASE READ THE FOLLOWING BEFORE BEGINNING INSTALLATION.

All information in these instructions is based on the latest product information available at the time of publication.

Kohler Co. reserves the right to make changes in product characteristics, packaging, or availability at any time without notice.

TOOLS AND MATERIALS REQUIRED:

- Pliers
- Adjustable wrench
- 1/2" - 9/16" open end wrench
- Basin wrench
- Hand drill
- Saddle valve or gate valve/shut-off valve & "T" fitting

BEFORE YOU BEGIN:

Kohler's Hot Water Dispenser offers you instant hot water for brewing instant beverages like tea, coffee, and hot chocolate. You can also serve hot cereals and vegetables, gravies, and puddings. It is also useful for melting butter, opening stubborn jars and heating baby's bottle.

Your new hot water dispenser also saves you energy and money. The dispenser heats water an average of 40 minutes a day. It costs about 3 cents a day to operate and consumes 32 percent less energy than a 40 watt light bulb and 80 percent less than heating an equal amount of water on an electric range.

The water in the system is electrically heated to a hot 190°F by a compact dispenser tank that mounts under the sink. A thermostat keeps it at this temperature. When you press down on the dispenser lever, cold water enters the bottom of the tank, forcing hot water out of the spout. The system is vented so the tank is not pressurized.

⚠ WARNING: FAILURE TO FOLLOW THESE INSTRUCTIONS COULD RESULT IN PERSONAL INJURY AND/OR PROPERTY DAMAGE.

INTRODUCTION:

Before installation, make sure that you have the proper tools to complete the job. No special plumbing is required to connect the dispenser to your water supply. Make sure that all plumbing connections conform to local codes in your area.

IMPORTANT: For the tanks electrical power, plug the unit into a 115 volt grounded/fused electrical outlet. DO NOT PLUG THE DISPENSER INTO THE SAME WALL OUTLET USED TO PLUG IN YOUR GARBAGE DISPOSAL. THE WALL OUTLET FOR YOUR DISPENSER MUST HAVE CONTINUOUS POWER SUPPLIED TO IT. See Fig. #1 for proper wiring diagram to bypass the wall switch.

(A) Only use this diagram if you intend to use the same wall outlet for the dispenser and your disposal.

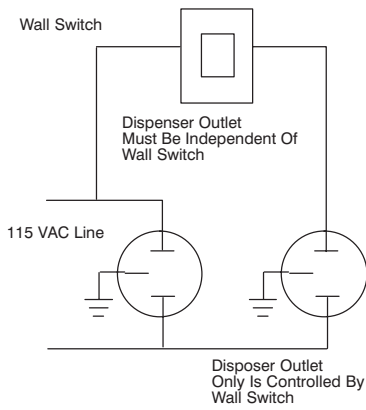


Fig. #1

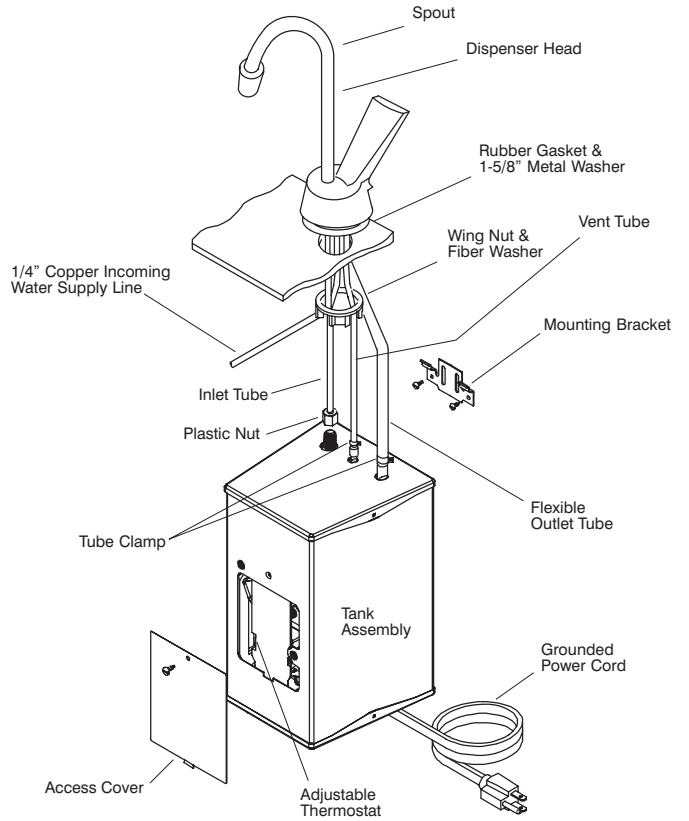


Fig. #2

CAUTION: THIS CORD MUST BE USED WITH A PROPERLY GROUNDED OUTLET TO ENSURE THAT THE THERMAL SAFETY FUSE OPERATES IN THE EVENT OF HEATER FAILURE. DO NOT USE A PLUG ADAPTER.

All information in these instructions is based on the latest information at the time of publication. Kohler Co. reserves the right to make changes in product characteristics, packaging, or availability at any time without notice.

SPECIFICATIONS:

Capacity

1/2 gallon, up to 60 cups of 190°F water per hour.

Electrical Service Requirements

750 watts, 6.5 amps, 115 volts, A.C., U.L. listed -- 3-wire cord and 3-prong plug provided.

Thermostat

Snap-action, adjustable from 160°F to 211°F (factory preset at approximately 190°F)

Insulation

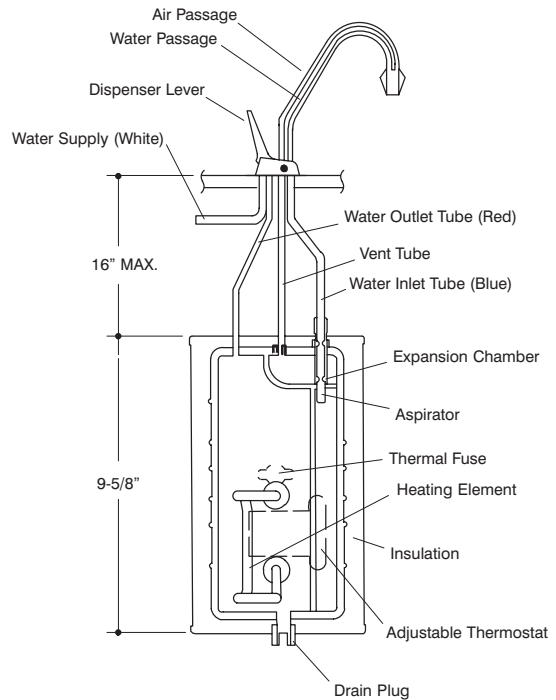
Meets U.L. 94HF-1 flammability specification.

Valve

Rapid, self-closing.

Shipping Weight

7 lbs.



CAUTION: THIS IS A NON-PRESSURE TANK. DO NOT MODIFY THIS SYSTEM BY CONNECTING OTHER TYPES OF FAUCETS OR VALVES TO THE TANK.

Fig. #3

1. See Roughing-In Illustration, Fig. #2 and Fig. #3. Study the illustrations to determine the space you will need to install your unit. Make sure that cold water supply is located near the unit.

INSTALLATION OF DISPENSER HEAD:

CAUTION: MAKE SURE THE TUBES ARE SMOOTH AND UNKINKED BEFORE YOU PROCEED. MAKE SURE ALL TUBES ARE NOT TWISTED, PINCHED OR BLOCKED. PINCHED OR BLOCKED WATER LINES MAY CAUSE EXCESS PRESSURE AND DAMAGE TO THE DISPENSER TANK.

1. See Fig. #4. Straighten the tubes on a hard flat surface by holding the head down with one hand while working the tubes down slowly with your other hand.

NOTE: The spout may be rotated 90 degrees in either direction to allow the dispenser lever to be on the left or right side of the spout. To rotate spout use a small blade screwdriver to loosen the setscrew holding the spout. Rotate the spout to the desired position and retighten the setscrew. **DO NOT PULL THE SPOUT UP OR OUT.**

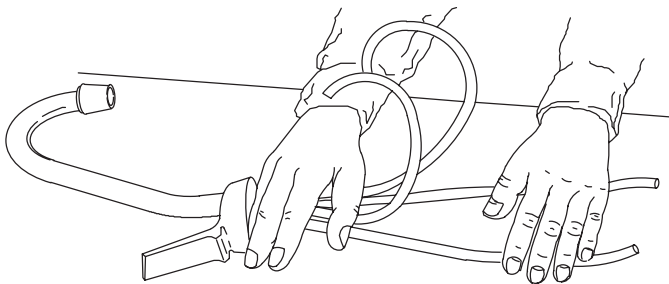


Fig. #4

2. See Fig. #5. Remove wing nut from valve body. Now place the head assembly with the 1-5/8" stainless steel washer (and the 2-1/4" stainless steel washer beneath the 1-5/8" washer for holes larger than 1-3/8") and 1-5/8" rubber washer attached, down through the mounting hole. Have someone hold the head assembly in place while performing the following steps.

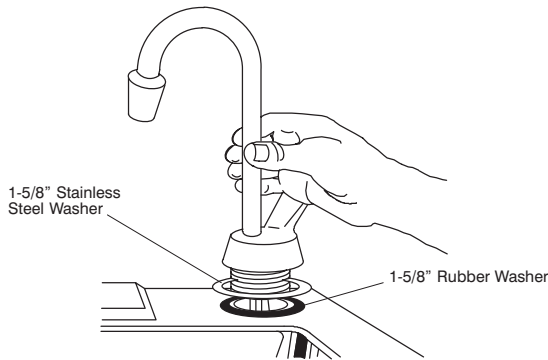


Fig. #5

3. See Fig. #6. Working from under the sink, slide the 2-1/4" fiber washer and the wing nut over the tubes and tighten the wing nut.

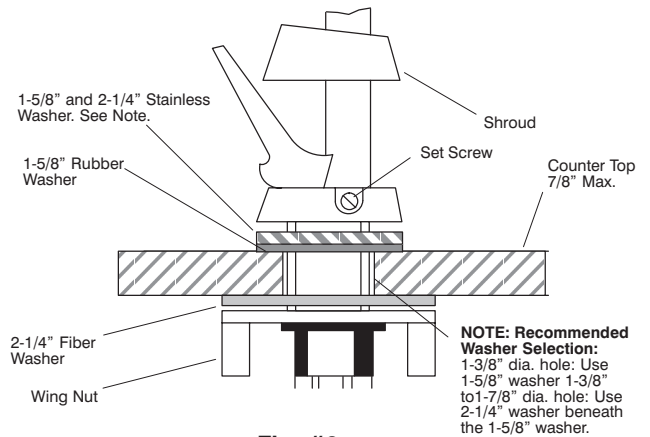


Fig. #6

NOTE: Recommended Washer Selection:
 1-3/8" dia. hole: Use 1-5/8" washer
 1-3/8" to 1-7/8" dia. hole: Use 2-1/4" washer beneath the 1-5/8" washer.

WATER CONNECTIONS:

NOTE: Turn off water supply before beginning. Follow your local codes when doing this section. Where plumbing codes permit, a saddle valve can be used to supply water to the dispenser. An alternate connection can be made using a T-fitting and gate (or shut-off) valve. This is more complex and should only be attempted by an experienced installer. See Fig. #7 and Fig. #8.

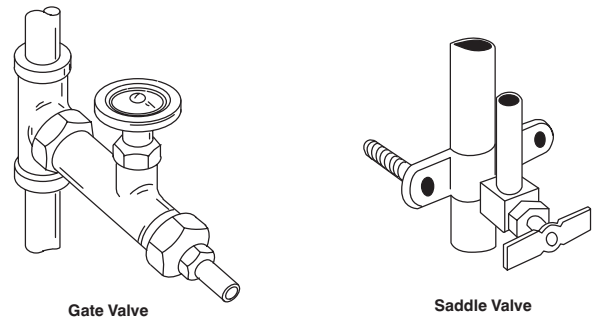


Fig. #7

NOTE: Saddle valves are susceptible to clogging.

4. **FOR SADDLE VALVE ONLY.** This simple connection is used on copper tubing only. It is not necessary to predrill any holes. Follow the instructions for the "self piercing attachment" included with the valve.

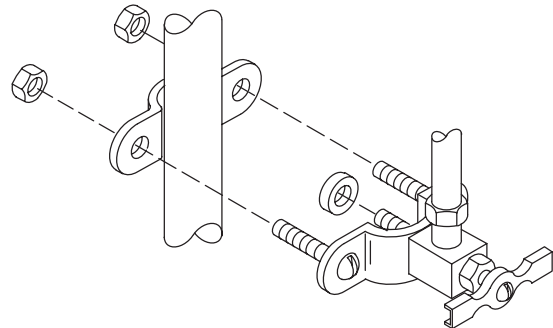


Fig. #8

NOTE: Attach this valve to the cold water line only.

5. See Fig. #9. After attaching saddle valve, open the valve and allow a small amount of water to run through it into a pan. This will flush the valve of any sediment.

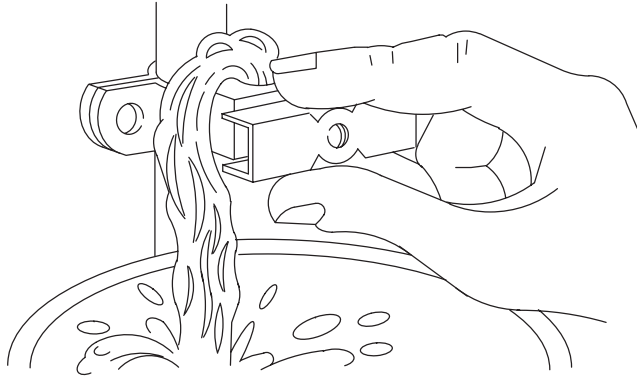


Fig. #9

CONNECTING WATER TO DISPENSER HEAD:

6. See Fig. #10. Connect the WHITE CODED 1/4" copper tube to the saddle or gate valve by following steps 2, 3, and 4. Fig. #10 shows a completed installation.

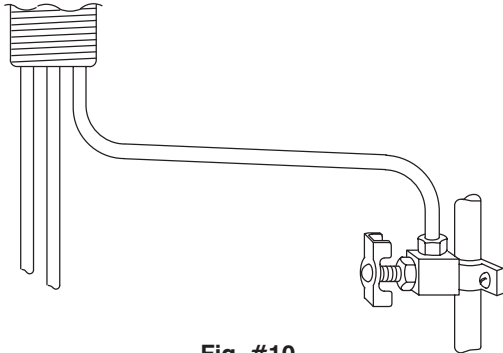


Fig. #10

7. See Fig. #11. Remove the nut and ferrule from the valve. Place the nut and ferrule over the end of the WHITE CODED copper tube coming from the dispenser head.

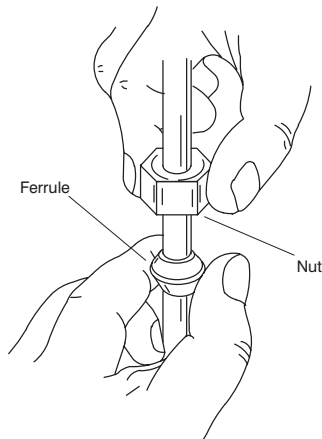


Fig. #11

8. See Fig. #12. Push the tube end into the valve opening as far as possible. Hold the tube end in position and push the ferrule down as far as it will go. Tighten the nut over the ferrule with your fingers. Make sure the tube end is straight into the hole.

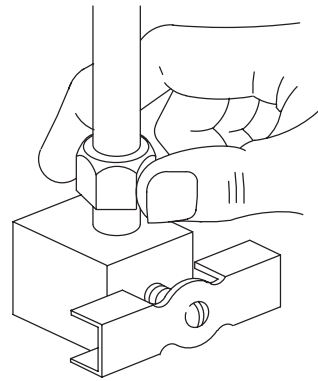


Fig. #12

9. See Fig. #13. Then tighten the nut firmly with a 1/2" wrench. **DO NOT OVERTIGHTEN AS YOU WILL DEFORM THE CONNECTIONS.**

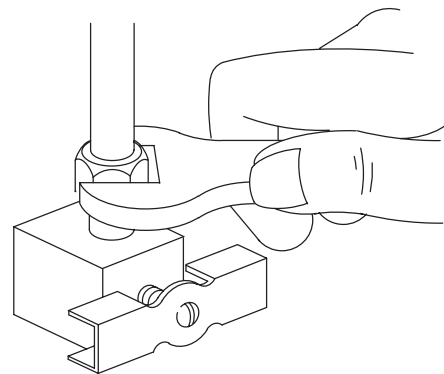


Fig. #13

MOUNTING THE TANK:

1. Refer to the Roughing-in section of this manual for proper measurements before you proceed with this section.
2. See Fig. #14. You can mount the tank on either a back or side wall. Start the installation by holding the tank up and make sure the tubes reach the tank. Mark the position of the top of the tank on the wall with a pencil.

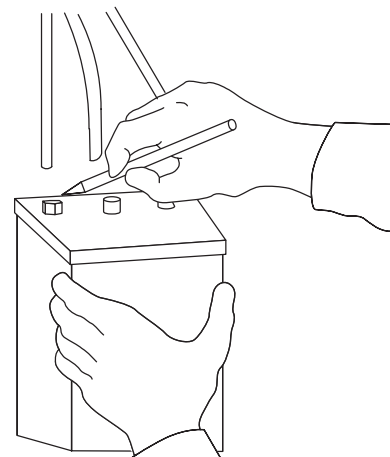


Fig. #14

3. See Fig. #15. Position the metal mounting bracket about one inch below the mark on the wall. Attach the bracket with the two screws (provided) as illustrated. The use of two #8 plastic anchors (not provided) is recommended for mounting screws in material other than wood.

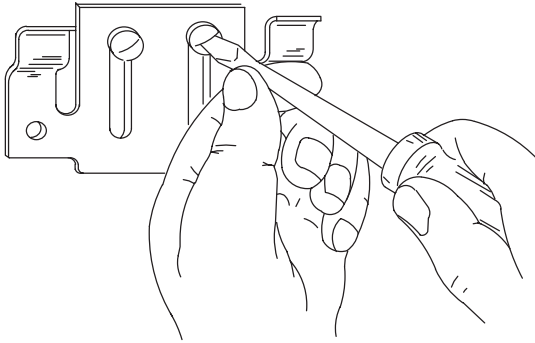


Fig. #15

4. See Fig. #16. Hang the tank onto the bracket. You can adjust the bracket on the slots if necessary.

⚠ CAUTION: DO NOT PLUG YOUR CORD INTO THE OUTLET UNTIL THE TANK IS FULL OF WATER. IF YOU PLUG THE UNIT IN AT THIS TIME, DAMAGE COULD RESULT THEREBY VOIDING YOUR WARRANTY.

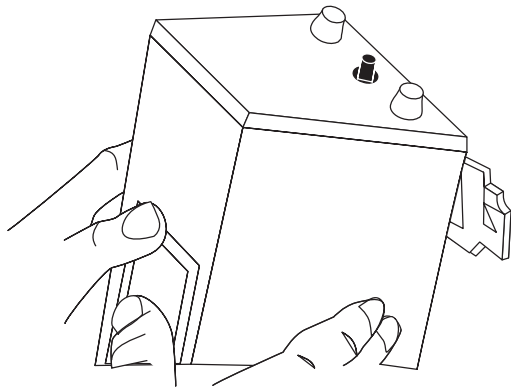


Fig. #16

MAKING THE FINAL CONNECTIONS:

⚠ CAUTION: MAKE SURE THE TUBES ARE SMOOTH AND UNKINKED BEFORE YOU PROCEED. MAKE SURE ALL TUBES ARE NOT TWISTED, PINCHED OR BLOCKED. PINCHED OR BLOCKED WATER LINES MAY CAUSE EXCESS PRESSURE AND DAMAGE TO THE DISPENSER TANK.

1. See Fig. #17. Slip plastic nut over 1/4" copper inlet tube. Insert tube into threaded inlet fitting until you feel it stop. Be sure copper tube is straight.

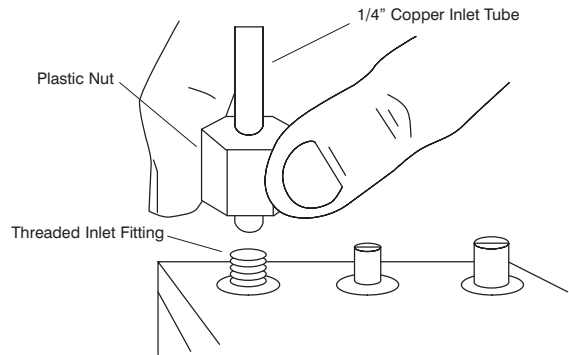


Fig. #17

⚠ CAUTION: DO NOT OVER-TIGHTEN PLASTIC NUT. OVER-TIGHTENING MAY CAUSE PRODUCT DAMAGE.

2. See Fig. #18. Align plastic nut and tighten by hand until you feel it stop. Be careful not to turn too tightly or cross-thread the nut. Next, use a small adjustable wrench and slowly tighten nut 1 – 2 turns past finger-tight until tube is snug. If tube is not snug after two full turns, remove nut, and check that tube is fully seated. Then retighten nut NOT MORE THAN THREE (3) FULL TURNS past finger-tight.

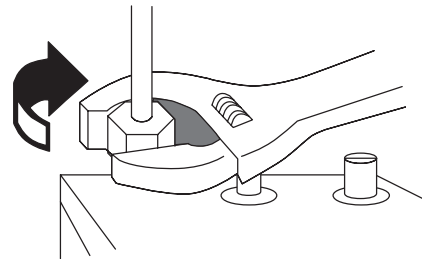


Fig. #18

3. See Fig. #19. Connect clear plastic vent line to smallest (center) fitting by squeezing hose clamp with pliers, positioning clamp/hose on fitting, and releasing to secure.

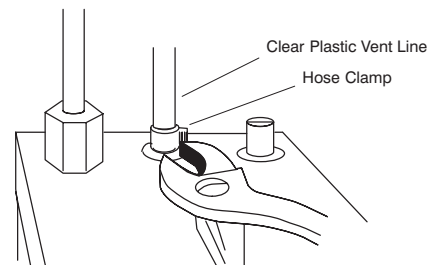


Fig. #19

- See Fig. #20. Finally, connect the 7/16" flexible outlet tube to the remaining fitting by squeezing hose clamp with pliers, positioning clamp/hose on fitting, and releasing to secure.

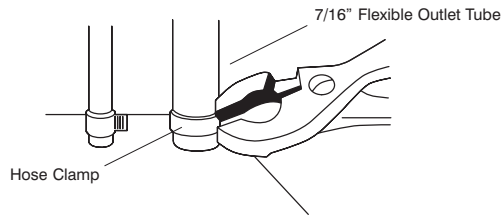


Fig. #20

FILLING THE TANK:

- See Fig. #21. Make sure the water supply valve is turned on. Push the dispenser knob and hold it down.

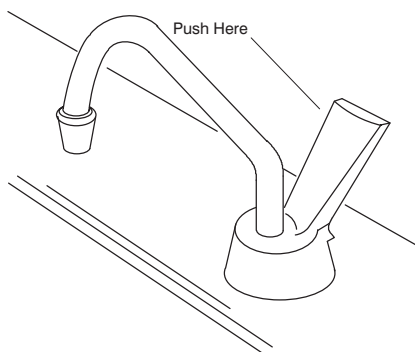


Fig. #21

- See Fig. #22. After approximately one minute, the tank will fill and water will begin coming out of the spout. Release the dispenser knob and check all connections for leaks. Push dispenser knob and let run for a few minutes to flush lines.

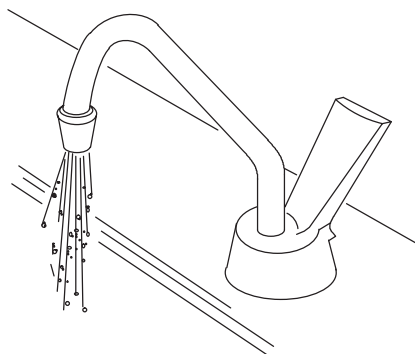


Fig. #22

CAUTION: DO NOT PLUG THE CORD IN UNTIL THE TANK IS FILLED WITH WATER. YOUR HOT WATER DISPENSER IS EQUIPPED WITH A ONE TIME THERMAL FUSE LOCATED NEXT TO THE THERMOSTAT UNDER THE FRONT ACCESS PANEL. THIS FUSE PROTECTS THE TANK FROM DAMAGE DUE TO LOW WATER LEVELS. IF YOU PLUG THE UNIT IN BEFORE THE TANK IS FILLED, THE THERMAL FUSE WILL OPEN AND YOUR WARRANTY IS VOIDED. IF YOU ACCIDENTALLY DO THIS, CONTACT YOUR SERVICE CENTER.

WARNING: DO NOT TAMPER WITH OR BYPASS SAFETY THERMAL FUSE. TAMPERING OR BYPASSING CAN RESULT IN PERSONAL INJURY OR PROPERTY DAMAGE OR VOID WARRANTY

PLUG IN YOUR UNIT:

- See Fig. #23. Plug in the electrical cord. It will take 0 to 15 minutes for the water to reach its normal 190°F temperature.

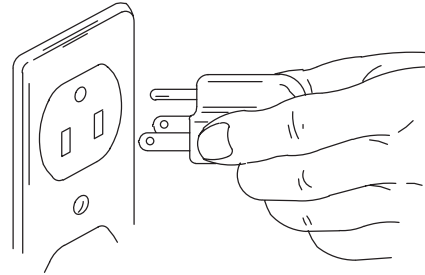


Fig. #23

- Push the dispenser knob. The water will be steaming and bubbly. Hold the knob open for about 30 seconds. You may hear some hissing and gurgling inside the tank and steam and air may come out of spout. Allow the water to heat for 10 to 15 minutes and open the knob for another 30 seconds. You may have to repeat this procedure two or three times before the dispenser is working normally.

SAFETY POINTS:

- Be careful when operating your new Piping Hot Water Dispenser so you do not scald or burn yourself. **KEEP CHILDREN AWAY FROM THE UNIT.** Remember that the outlet water may reach a temperature of 190° F or more.
- DO NOT INSTALL THIS UNIT IN INSTITUTIONS, PUBLIC AREAS OR ANY OTHER PLACE WHERE THERE IS UNSUPERVISED ACCESS TO THIS APPLIANCE.**
- DO NOT HOOK UP UNIT TO SOFTENED WATER.**

WARNING: DO NOT STORE OR USE FLAMMABLE ITEMS OR AEROSOL CANS NEAR THE TANK OR A FIRE HAZARD MAY EXIST.

- If you are away from home for extended periods, unplug the unit.
- If your unit is installed in a summer home, you may want to prepare it for winter as protection against freezing. If your water has a heavy mineral content, you may also need to drain the unit periodically. In both cases, follow this procedure:
 - Disconnect the electrical source.
 - Push the dispenser knob and allow the water to flow until the water becomes cool.
 - Shut off the dispenser water supply at the saddle valve.
 - Remove the drain screw in the center of the bottom of your dispenser tank and allow the water to drain into an empty pail.
 - After all the water has drained from the tank, reinstall the screw into the bottom of the tank.
 - When you put the unit back into operation, be sure that you refill the tank with water **BEFORE YOU PLUG THE UNIT BACK IN. FOLLOW THE SECTION, FILLING THE TANK, FOR PROPER TANK FILLING PROCEDURE.**

ADJUSTING THE TEMPERATURE:

1. **UNPLUG THE UNIT.** Your dispenser temperature is preset at the factory. However, you may want to lower or raise the water temperature. See Fig. #24. Use a Phillips screwdriver to remove the access cover of the tank.

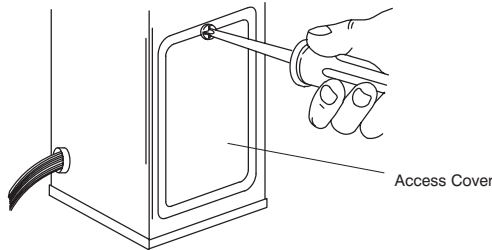


Fig. #24

2. See Fig. #25. Insert a small screwdriver in the slot of the thermostat adjustment screw. Turn clockwise 1/2 dial mark to increase the water temperature and counterclockwise 1/2 dial mark to decrease the water temperature.

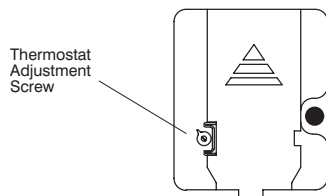


Fig. #25

⚠ WARNING: DO NOT ALLOW WATER TO BOIL. BOILING WATER MAY RESULT IN SEVERE BURNS.

3. Replace the access cover and reconnect electric power. Draw 2 or 3 cups of water and allow unit to heat. Repeat the process until desired temperature is reached. **Do not allow water to boil.**

IF WATER DRIPS FROM YOUR SPOUT:

If water drips from the spout, draw 4 or 5 cups while the unit is heating. This will drain any water out of the unit's expansion chamber. If water still drips out of the spout prior to the automatic thermostat shutting off (you can hear it), turn the thermostat to a slightly lower temperature setting. **Refer to Adjusting the Temperature in this manual.**

NOTE: The dispenser perks like a coffee percolator just before the electric thermostat shuts it off. The rumble is caused by gases being driven off by the boiling water. This is normal and is part of the proper operation of the unit.

If water pressure occasionally drops to below 20 p.s.i., the expansion chamber of the tank may not be draining properly. In such a case, water may drip out of the spout until the incoming water has been heated enough to turn off the thermostat. As soon as adequate water pressure is restored, the next drawing of water will clear the expansion chamber. Occasional drops in water pressure will not adversely affect the operation of your unit. Examine the venting system every six months for obstructions and/or deterioration of the vent tubing.

IF SOMETHING GOES WRONG:

1. If the flow of water from your dispenser decreases or stops, make sure someone hasn't turned off the water at the saddle valve or other valve upstream of the hot water tank. To unplug the saddle valve, turn the valve off and open it all the way. This may dislodge any foreign material caught in the valve. If this doesn't solve your problem, unplug the power cord and proceed as follows.
2. **Check the things you can do yourself.** Be sure the dispenser is plugged firmly into the appropriate outlet. Make sure the fuses and circuit breakers are in good order and functioning properly. Reread this instruction manual to make sure you are using the correct operating procedure. Many unnecessary service calls result in the service man doing what the owner can do for himself.
3. A nationwide service network has been established to take care of any problems associated with this product. These independent service firms have been specially trained in service procedures and the administration of the Kohler Warranty. To obtain the name of the service firm serving your area, simply call the following toll free number: 1-800-558-5700. In Canada call the following number: 1-800-367-9811.
4. Please write us if you are unable to obtain a satisfactory solution by following the above steps. We are dedicated in providing you with the products and services you expect:

Kohler Company
Customer Service Department
444 Highland Drive
Kohler, Wisconsin 53044

When writing, please make sure to have the following information included with your letter. Write the date, your name, address, and telephone number, model number, and serial number of your dispenser. Also include the date you purchased the unit, the address of the dealer, service agency name and address, and service required.

NOTE: The one year warranty on this unit applies only if the unit is:

- A. Installed in accordance with the installation instructions.
- B. Used on the circuits and currents specified.
- C. Exposed to normal household use and service.
- D. Connected to a potable water supply.

The warranty shall not apply to damage or in operation resulting from:

- A. Accident misuse, abuse, or improper installation.
- B. Installation not in accordance with installation instructions or local electrical and/or plumbing codes.
- C. Shows evidence of having been started up "dry".

