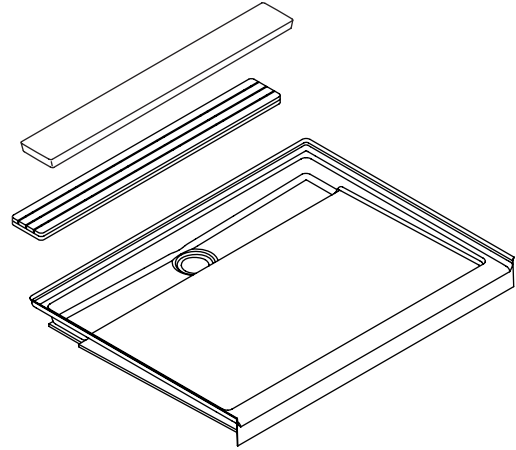


### Features

- Acrylic
- For alcove installations
- One-piece construction
- Removable drain cover
- Drain hole at rear
- 48" (121.9 cm) x 36" (91.4 cm) x 4-1/4" (10.8 cm)

### ACRYLIC SHOWER RECEPTOR K-9925

ALSO K-9332, K-9336



### Codes/Standards Applicable

Specified model meets or exceeds the following:

- CSA B45
- IAPMO/cUPC
- ANSI Z124.1.2

### Colors/Finishes

- 0: White
- Other: Refer to Price Book for additional colors/finishes

### Accessories

- CP: Polished Chrome
- PB: Vibrant® Polished Brass
- SH: Bright Silver
- NA: None applicable
- Other: Refer to Price Book for additional colors/finishes

### Specified Model

Model	Description	Colors/Finishes		
K-9925	48" (121.9 cm) receptor	<input type="checkbox"/> 0	<input type="checkbox"/> Other_____	
<b>Required Accessories</b>				
K-9332	Aluminum drain cover <b>OR</b>	<input type="checkbox"/> SH		
K-9336	Teak drain cover	<input type="checkbox"/> NA		
<b>Recommended Accessories</b>				
K-9132	Drain	<input type="checkbox"/> CP	<input type="checkbox"/> PB	<input type="checkbox"/> Other_____
<b>Optional Accessories</b>				
Refer to the Fixtures Price Book for shower door selections, glass options, and color information.				

### Product Specification

The acrylic shower receptor with removable drain cover shall be 48" (121.9 cm) in length, 36" (91.4 cm) in width, and 4-1/4" (10.8 cm) in height. Shower receptor shall be for alcove installations. Shower receptor shall be one-piece configuration with drain hole at rear. Shower receptor shall be Kohler Model K-9925-\_\_\_\_\_.

# GROOVE™

## Technical Information

Fixture*:	
Weight	59 lbs (26.8 kg)
Configuration	one-piece
Drain hole	3-3/8" (8.6 cm) D.
* Approximate measurements for comparison only.	

## Installation Notes

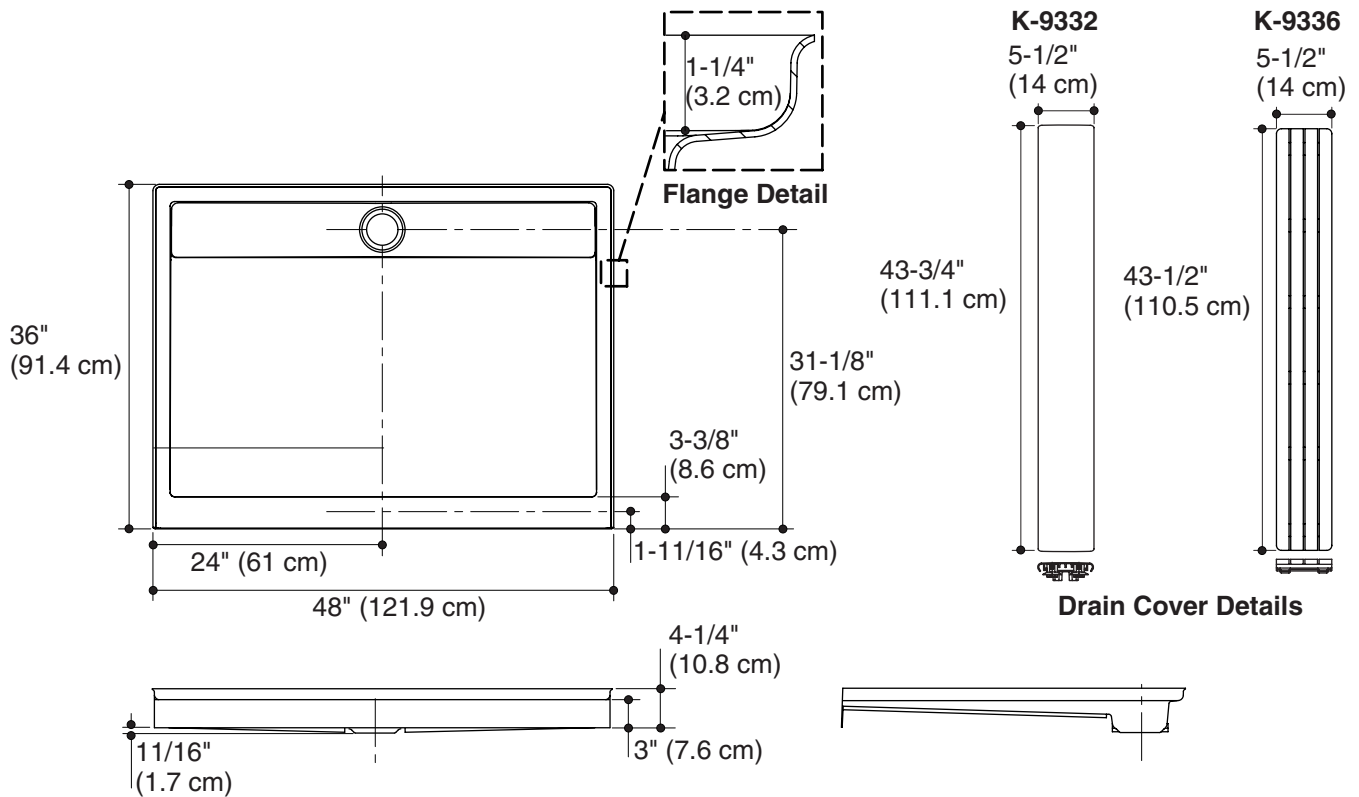
Install this product according to the installation guide.

Shimming may be required to level the fixture.

Shimming may be required between the stud frame and the fixture.

The stud opening tolerance is +1/4" (6 mm), -0" (0 mm).

When fire rated construction is specified, dimensions are to the inside of the fire-rated wall.



## Product Diagram