

Features

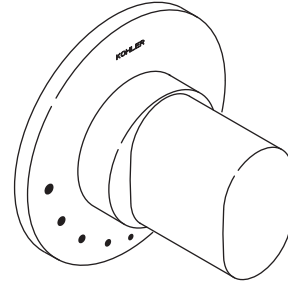
- Brass construction
- Front seal plate assembly
- Handle assembly
- Available with oblong handle

SINGLE CONTROL FAUCET TRIM
K-T10058-9
ALSO K-T10067-9, K-T10069-9

Codes/Standards Applicable

Specified model meets or exceeds the following:

- ASME 112.18.1/CSA B125
- IAPMO/UPC



Colors/Finishes

- CP: Polished Chrome
- Other: Refer to Price Book for additional colors/finishes
- NA: None applicable

Accessories

- NA: None applicable

Specified Model

Model	Description	Colors/Finishes	
K-T10058-9	Transfer valve trim	<input type="checkbox"/> CP	<input type="checkbox"/> Other ____
K-T10067-9	Volume control trim	<input type="checkbox"/> CP	<input type="checkbox"/> Other ____
K-T10069-9	Thermostatic valve trim	<input type="checkbox"/> CP	<input type="checkbox"/> Other ____

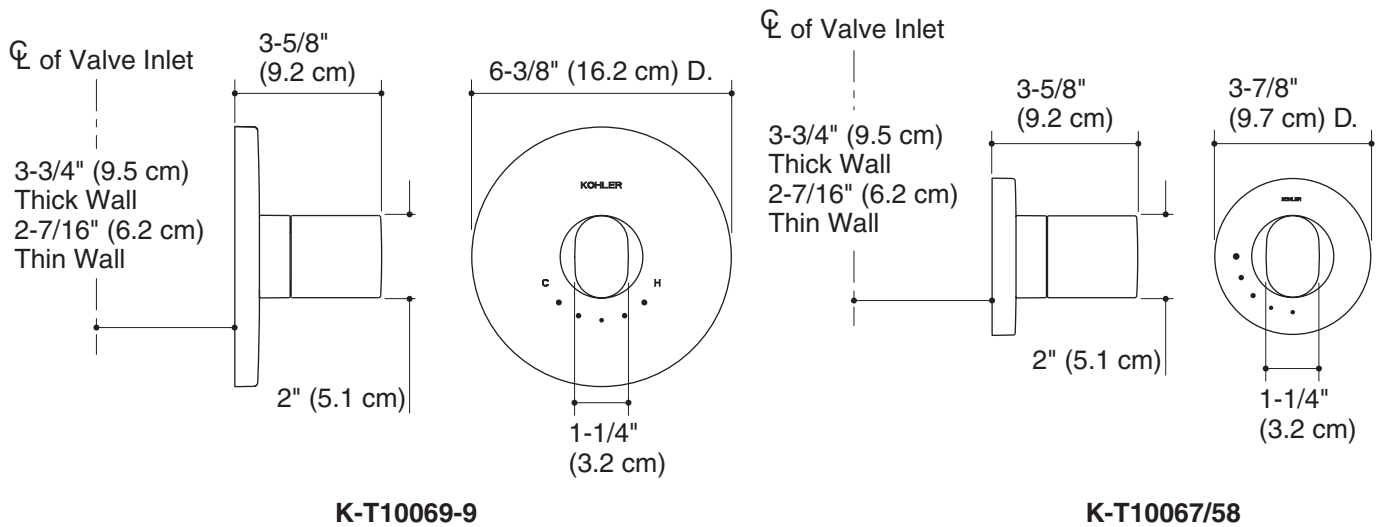
Required Accessories		
K-669-KS	3/4" Thermostatic valve	<input type="checkbox"/> NA
K-671-K	3/4" Volume control	<input type="checkbox"/> NA
K-672-K	3/4" Transfer valve	<input type="checkbox"/> NA
K-679-KS	1/2" Thermostatic valve	<input type="checkbox"/> NA
K-681-K	1/2" Volume control	<input type="checkbox"/> NA

Product Specification

The thermostatic valve faucet trim shall be made of brass construction. Faucet trim shall include front seal plate assembly and handle assembly. Faucet trim shall be available with an oblong handle. Faucet trim shall be Kohler Model K-T____-9-____ and valving shall be K____-____-NA.

Installation Notes

Install this product according to the installation guide.



Product Diagram