

BEFORE YOU BEGIN

HOW TO USE THESE INSTRUCTIONS

These instructions contain important installation information. Please leave instructions for the consumer.

ORDERING INFORMATION

Triton™ Service Sink Faucets

Standard Handles	7309-2A-**-AA
Cross Handles	7309-3A-**-AA
Lever Handles	7309-4A-**-AA
Wristblade Handles	7309-5A-**-AA

**Variation and/or finish/color code may be required when ordering.

INSTALLATION

INSTALL STOPS

NOTE: Ensure flange is threaded onto each stop.

Thread stops onto 1/2" IPS supply pipes. Use thread sealant.

Thread flange until tight against wall or fixture.

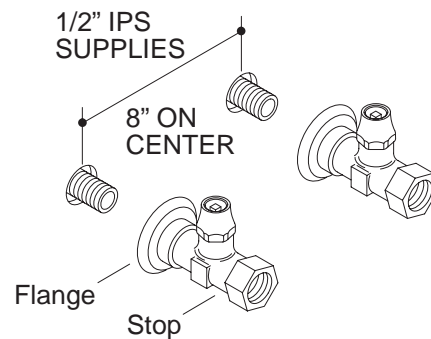


Fig. #1

INSTALL SUPPORT BRACKET

Thread rod of support bracket assembly into saddle on bottom of spout.

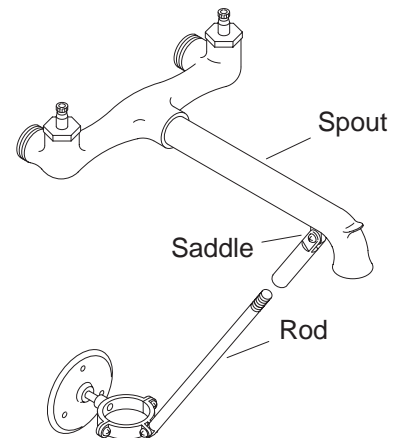


Fig. #2

INSTALL FAUCET BODY

Place a washer in each stop nut.

Hold faucet body against stops and thread stop nuts onto faucet body. Tighten stop nuts.

Position flange of support bracket against wall so spout is parallel with floor. Secure flange using 1-1/2" screws. Use toggle nuts if installing on dry wall.

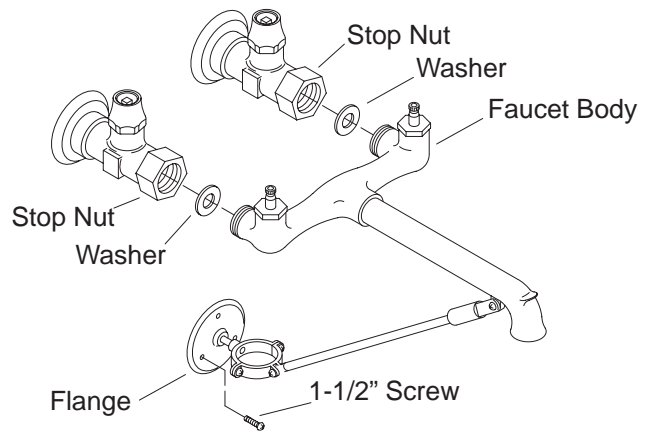


Fig. #3

INSTALL HANDLES

NOTE: The following instructions are applicable to blade handle configurations only. Faucets ordered with standard, cross or lever handles are supplied with handles installed.

NOTE: The spline adapter supplied in blade handle kit is not used with this faucet.

Press handle onto valve stem. Ensure that splines inside handle and valve stem splines are engaged and handle is properly aligned.

Secure handle with screw and press plug button in place; for vandal proof configurations, insert applicable red or blue vandal proof button and secure with screw.

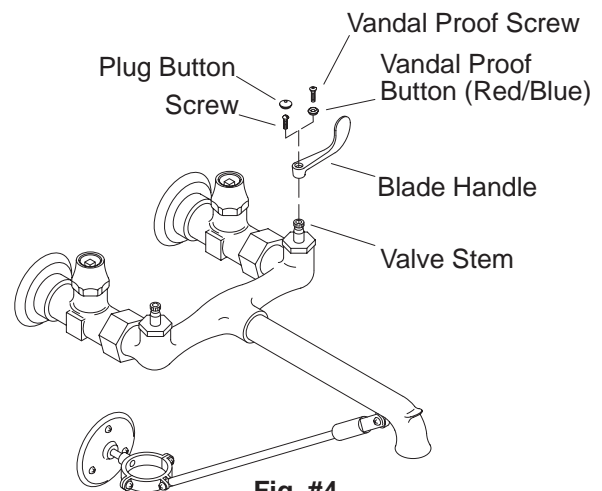


Fig. #4

CHECK INSTALLATION

Ensure main water supplies are on.

Using key, rotate both stop adjustments fully counterclockwise (open).

Open both faucet valves (hot-fully counterclockwise, cold-fully clockwise) and run water through faucet to flush out debris.

Check for leaks and repair as required.

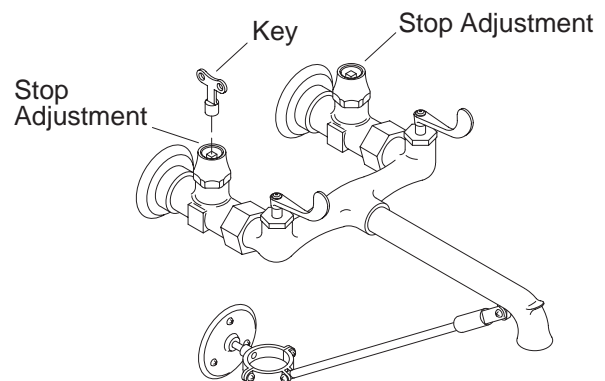


Fig. #5