

**COMPRESSION FAUCET  
K-7510**

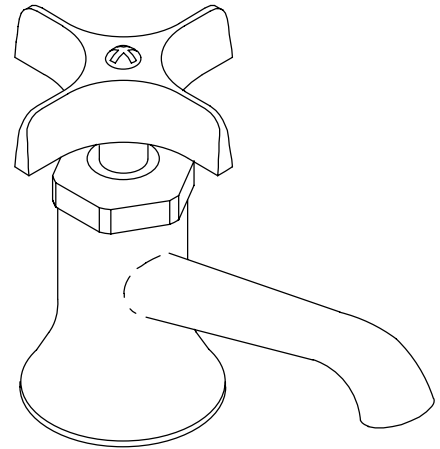
**FEATURES**

- Brass construction
- Valvet® valve
- 3-1/2" spout
- Four-arm handle
- Renewable seat

**CODES/STANDARDS APPLICABLE**

Specified model meets or exceeds the following:

- ASME/ANSI A112.18.1M
- CSA B125
- IAPMO/UPC



**COLORS/FINISHES**

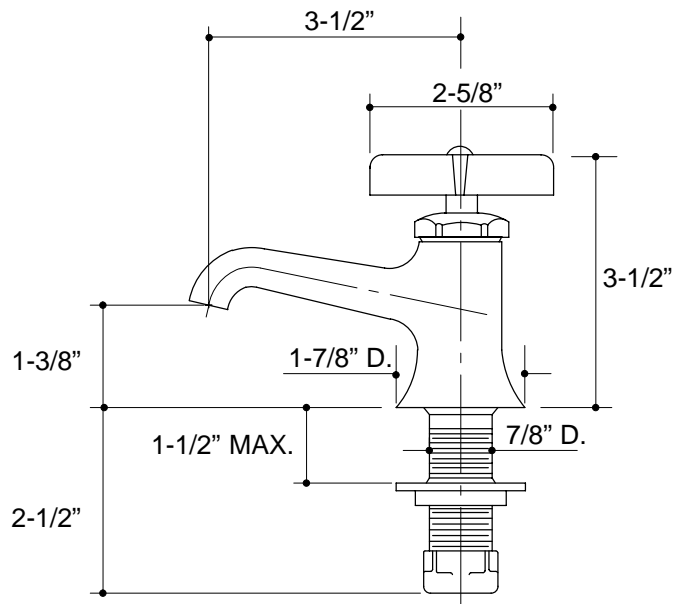
- CP Polished Chrome

**SPECIFIED MODEL:**

Model	Description	
K-7510-C	Sentinel Compression Faucet, Cold	<input type="checkbox"/> CP
K-7510-H	Sentinel Compression Faucet, Hot	<input type="checkbox"/> CP

**PRODUCT SPECIFICATION:**

Compression faucet shall be of brass construction. Faucet shall feature a brass valve body. Product shall feature a Valvet valve. Product shall be less drain. Product shall include 3-1/2" spout, four-arm handle, and renewable seat. Cold water faucet shall be Kohler Model K-7510-C-CP. Hot water faucet shall be Kohler Model K-7510-H-CP.



**PRODUCT DIAGRAM**