

**WIDESPREAD LAVATORY FAUCET
K-942-4**

Features

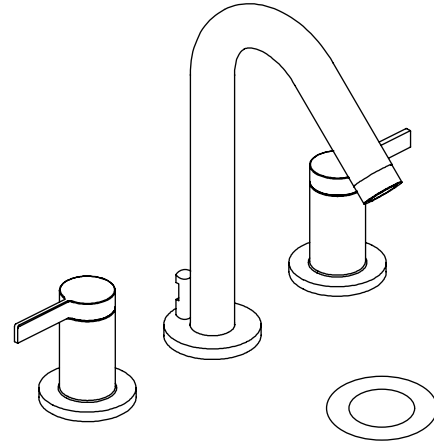
- Brass construction
- Brass valve bodies
- Quarter-turn washerless ceramic disc valves
- Flexible connections for easy installation
- 3-7/8" (9.8 cm) spout reach
- Lever handles are ADA compliant
- For 8" (20.3 cm) or 16" (40.6 cm) centers
- Stationary spout
- Pop-up drain with lift rod and tailpiece
- 1.5 gpm (5.7 lpm) maximum flow rate



Codes/Standards Applicable

Specified model meets or exceeds the following at date of manufacture:

- ADA
- ASME A112.18.1/CSA B125.1
- ICC/ANSI A117.1
- Energy Policy Act of 1992
- EPA WaterSense®
- All applicable US Federal and State material regulations



Colors/Finishes

- CP: Polished Chrome
- Other: Refer to Price Book for additional colors/finishes

Accessories

- NA: None applicable

Specified Model

Model	Description	Colors/Finishes	
K-942-4	Widespread lavatory faucet	<input type="checkbox"/> CP	<input type="checkbox"/> Other_____
Optional Accessories			
_____	Additional flow options are available (refer to the Kohler Price Book)	<input type="checkbox"/> NA	

Product Specification

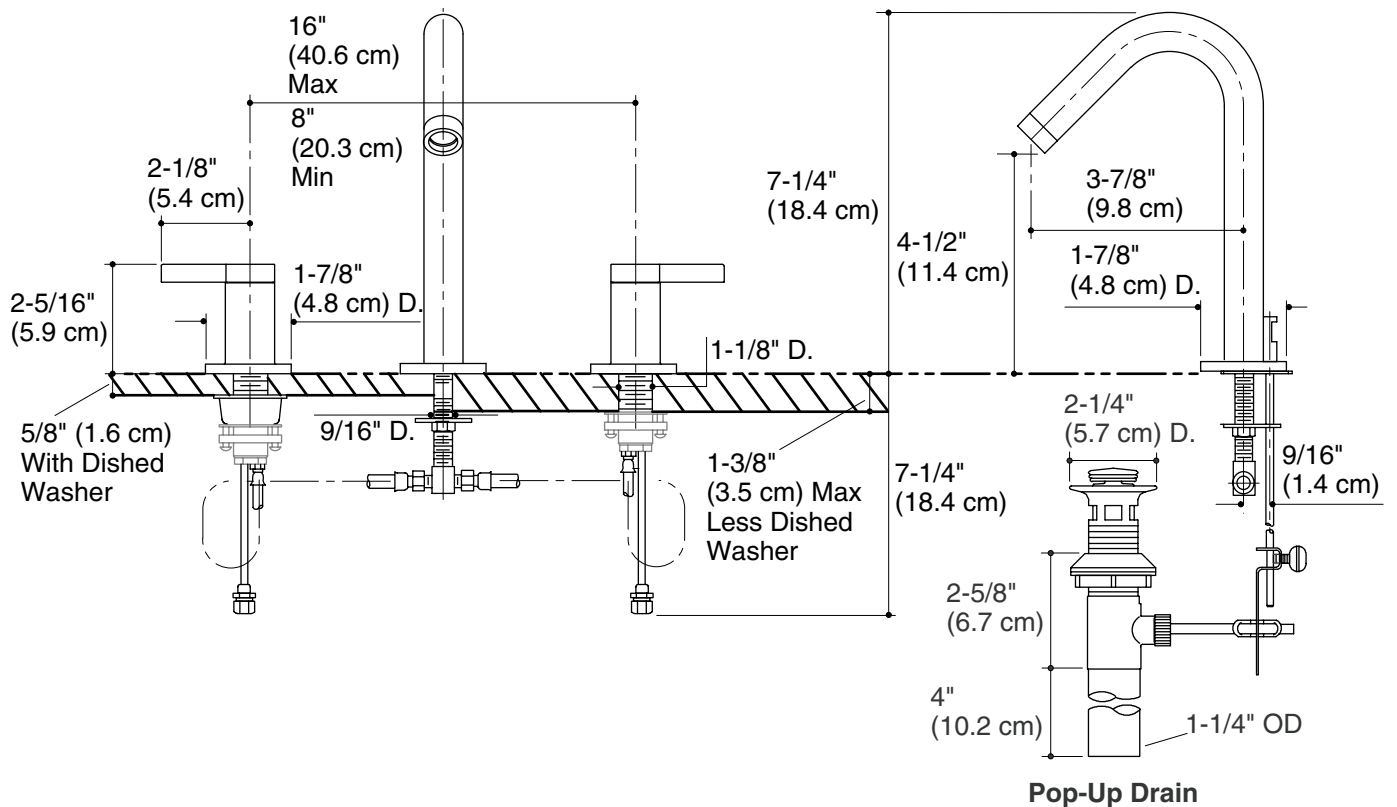
The two-handle widespread lavatory faucet shall be made of brass construction with brass valve bodies. Product shall have a maximum flow rate of 1.5 gallons (5.7 liters) per minute. Product shall feature quarter-turn washerless ceramic disc valves, flexible connections for easy installation, a 3-7/8" (9.8 cm) spout reach, and a stationary spout. Product shall be for 8" (20.3 cm) or 16" (40.6 cm) centers. Product shall feature ADA compliant lever handles. Product shall have a pop-up drain with lift rod and tailpiece. Faucet shall be Kohler Model K-942-4-_____.

STILLNESS®

Installation Notes

Install this product according to the installation guide.

For countertops 5/8" (1.6 cm) thick or less, install using the dished washer (included).



Product Diagram