

Features

- Brass construction
- Available with blade handle
- Push-button diverter

BATH AND SHOWER FAUCET TRIM

K-T948

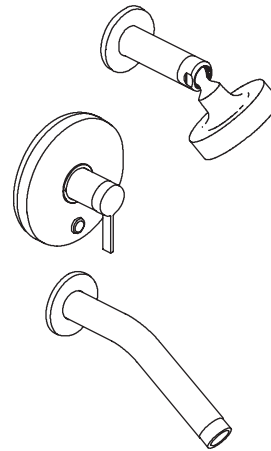
ALSO K-T949, K-T950, K-952

ADA

Codes/Standards Applicable

Specified model meets or exceeds the following:

- ASME A112.18.1/CSA B125.1
- IAPMO/UPC
- ADA
- CSA International



Colors/Finishes

- CP: Polished Chrome
- Other: Refer to Price Book for additional colors/finishes

Accessories

- CP: Polished Chrome
- Other: Refer to Price Book for additional colors/finishes
- NA: None applicable

Specified Model

For complete faucet, both faucet trim and Rite-Temp valve must be specified.			
Model	Description	Colors/Finishes	
K-T948-4	Bath and shower trim, blade handle	<input type="checkbox"/> CP	<input type="checkbox"/> Other_____
K-T949-4	Shower only trim, blade handle	<input type="checkbox"/> CP	<input type="checkbox"/> Other_____
K-T950-4	Valve only trim, blade handle	<input type="checkbox"/> CP	<input type="checkbox"/> Other_____
K-952	Bath spout	<input type="checkbox"/> CP	<input type="checkbox"/> Other_____

Product Specification

Rite-Temp® pressure-balancing single-control bath and shower faucet trim shall be of brass construction. Bath and shower trim shall include showerhead with arm and flange, 8-3/4" (22.2 cm) non-diverter spout with NPT connection, and faceplate with handle and push-button diverter. Shower only trim shall include showerhead with arm and flange, and faceplate with handle. Valve only trim shall include faceplate with handle. Faucet trim shall be K-T _____ - _____ - _____ OR K- _____ - _____, and Rite-Temp® valve shall be K- _____ - _____ - NA.

STILLNESS®

Required Accessories

K-304-K	Rite-Temp® valve without stops OR	<input type="checkbox"/> NA
K-304-KS	Rite-Temp® valve with stops OR	<input type="checkbox"/> NA
K-304-KP	Rite-Temp® valve with PVC connections OR	<input type="checkbox"/> NA
K-305-K	Rite-Temp® valve without stops OR	<input type="checkbox"/> NA
K-305-KS	Rite-Temp® valve with stops OR	<input type="checkbox"/> NA
K-306-KS	HiFlow Rite-Temp® valve with stops	<input type="checkbox"/> NA

Recommended Accessories

88526	HiFlow Rite Temp® thin wall installation kit	<input type="checkbox"/> CP	<input type="checkbox"/> Other_____
-------	--	-----------------------------	-------------------------------------

Optional Accessories

1016154	Deep rough-in kit for Rite-Temp® valve (lever or cross handles)	<input type="checkbox"/> CP	<input type="checkbox"/> Other_____
---------	---	-----------------------------	-------------------------------------

Installation Notes



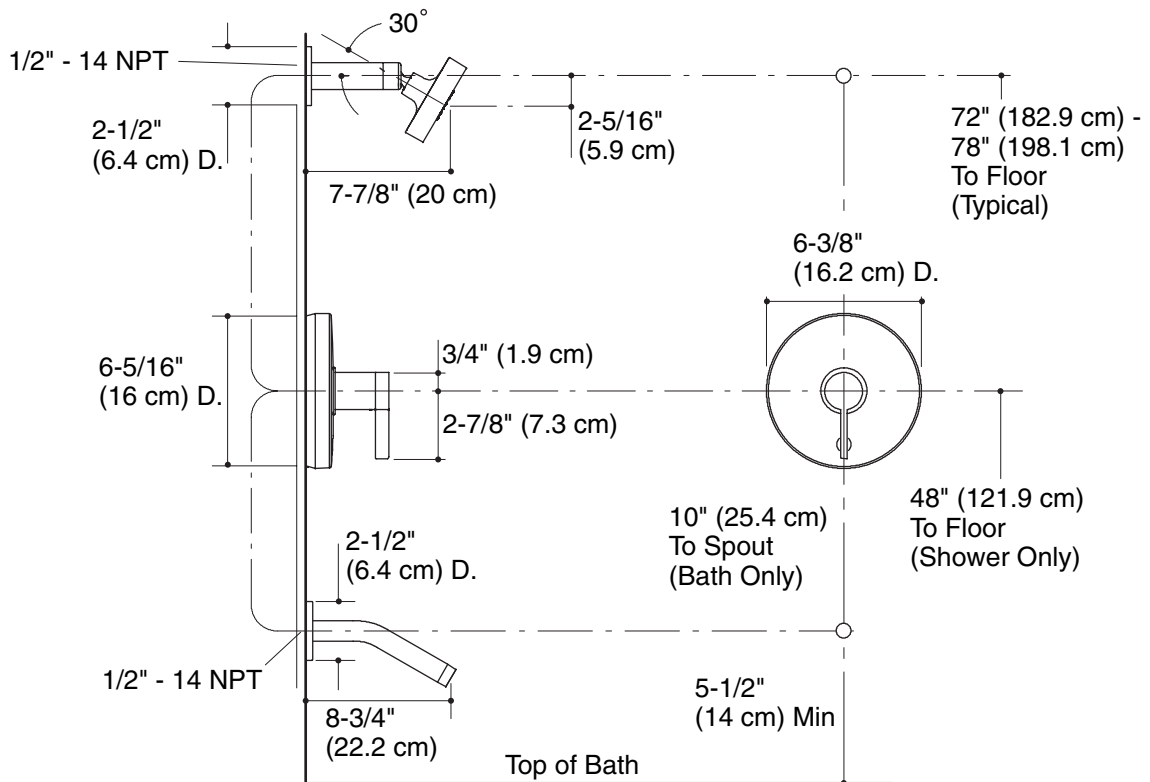
WARNING: Risk of damage to the K-306-KS valve assembly. When using the K-306-KS valve in a fiberglass or acrylic installation, use the thin wall installation kit (88526).

Install this product according to the installation guide.

Avoid cross-flow conditions. Do not install shut-off device on either valve outlet.

Cap shower outlet if deck-mount spout, diverter, or handshower is connected to spout outlet.

Install straight pipe or tube drop of 7" (17.8 cm) to 18" (45.7 cm) with single elbow between valve and wall-mount spout.



Product Diagram