

PRESSURE-BALANCING VALVE TRIM

K-T9492

ALSO K-304, K-306-KS

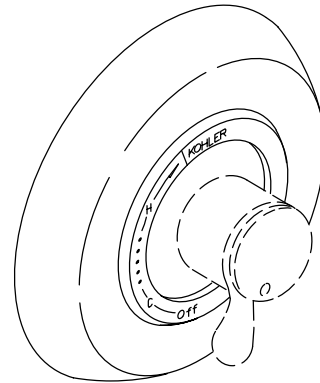
FEATURES

- Metal construction
- Available with lever or round handle
- Intended for use with Rite-Temp or Hi Flow Rite-Temp valves

CODES/STANDARDS APPLICABLE

Specified model meets or exceeds the following:


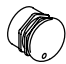
- ASME/ANSI A112.18.1M



COLORS/FINISHES

- CP Polished Chrome
- PB Polished Brass
- Other Refer to Faucets Price Book for additional finishes

SPECIFIED MODEL: For complete faucet, both faucet trim and Rite-Temp valve must be specified.

Model	Description	ADA		
				
K-T9492-4	Valve Only Trim, Lever Handle	<input type="checkbox"/> CP	<input type="checkbox"/> PB	<input type="checkbox"/> Other_____
K-T9492-7	Valve Only Trim, Round Handle		<input type="checkbox"/> CP	<input type="checkbox"/> PB <input type="checkbox"/> Other_____

Required Accessory				
K-304-K	Rite-Temp Valve Without Stops	<input type="checkbox"/> NA		
K-304-KS	Rite-Temp Valve With Stops		<input type="checkbox"/> NA	
K-306-KS	Hi Flow Rite-Temp Valve With Integral Stops			<input type="checkbox"/> NA

Optional Accessory			
88526	Hi Flow Rite-Temp Thin Wall Installation Kit	<input type="checkbox"/> CP	<input type="checkbox"/> PB <input type="checkbox"/> Other_____

PRODUCT SPECIFICATION:

Rite-Temp pressure-balancing single-control valve trim shall be of metal construction. Valve trim shall include faceplate and lever or round handle. Valve trim shall be Kohler Model K-T9492-_____-_____- and valve shall be K-304_____-NA Rite-Temp valve **OR** K-306-KS-NA Hi Flow Rite-Temp valve.

MASTERSHOWER™ RITE-TEMP™

PRODUCT INFORMATION

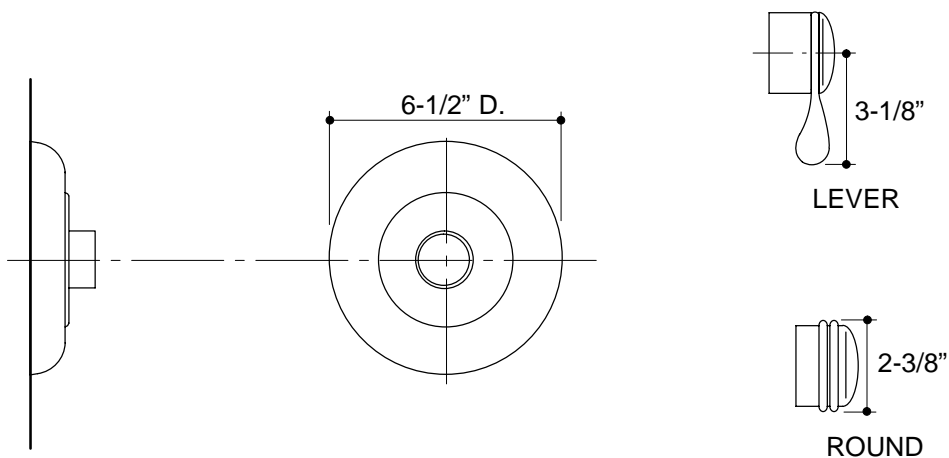
WARNING: Risk of damage to the K-306-KS valve assembly. When using the K-306-KS valve in a fiberglass or acrylic installation, use the thin wall installation kit (88526).

INSTALLATION NOTES

Avoid cross-flow conditions. Do not install shut-off device on either valve outlet.

Cap shower outlet if deck-mount spout, diverter, or handshower is connected to spout outlet.

Install straight pipe or tube drop of 7 to 18" with single elbow between valve and wall-mount spout.



316

PRODUCT DIAGRAM