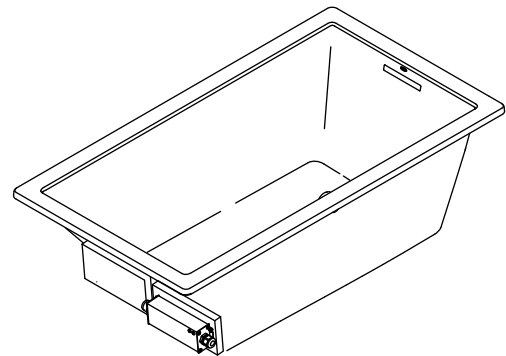


Features

- Acrylic
- Drop-in installation
- Molded heated lumbar support
- Three temperature settings
- 66" (1676 mm) x 36" (914 mm) x 22" (559 mm)

5.5' DROP-IN BATH WITH BASK™ HEATED SURFACE K-1136-W1



Codes/Standards Applicable

Specified model meets or exceeds the following:

- ASTM E162
- ASTM E662
- CSA B45.5/IAPMO Z124
- ASME A112.19.7
- UL 1795

Colors/Finishes

- 0: White
- Other: Refer to Price Book for additional colors/finishes

Accessories

- CP: Polished Chrome
- Other: Refer to Price Book for additional colors/finishes
- NA: None applicable

Specified Model

Model	Description	Colors/Finishes	
K-1136-W1	5.5' drop-in bath with Bask heated surface	<input type="checkbox"/> 0	<input type="checkbox"/> Other_____
Required Accessories			
K-7271	Clearflo slotted overflow brass bath drain OR	<input type="checkbox"/> CP	<input type="checkbox"/> Other_____
K-7272	Clearflo slotted overflow bath drain – PVC pipe	<input type="checkbox"/> CP	<input type="checkbox"/> Other_____
Optional Accessories			
K-591	Under-mount kit	<input type="checkbox"/> NA	

Product Specification

The acrylic bath with heated surface shall be 66" (1676 mm) in length, 36" (914 mm) in width, and 22" (559 mm) in height. Bath shall be for drop-in installation. Bath shall have three temperature settings. Bath shall have a molded heated lumbar support. Bath shall be Kohler Model K-1136-W1-_____.

UNDERScore™

Technical Information

Fixture*:				
Bathing well:				
Basin area, bottom	44-1/2" (1130 mm) x 26-1/2" (673 mm)			
Basin area, top	60-1/4" (1530 mm) x 30-1/4" (768 mm)			
Weight	80 lbs (36.3 kg)			
To overflow:				
Water depth	17-3/4" (451 mm)			
Capacity	102 gal (386 L)			
* Approximate measurements for comparison only.				
Drop-in cut-out		65" (1651 mm) x 35" (889 mm)		
Heater:	W	V	HZ	A
	65	120	60	1.1

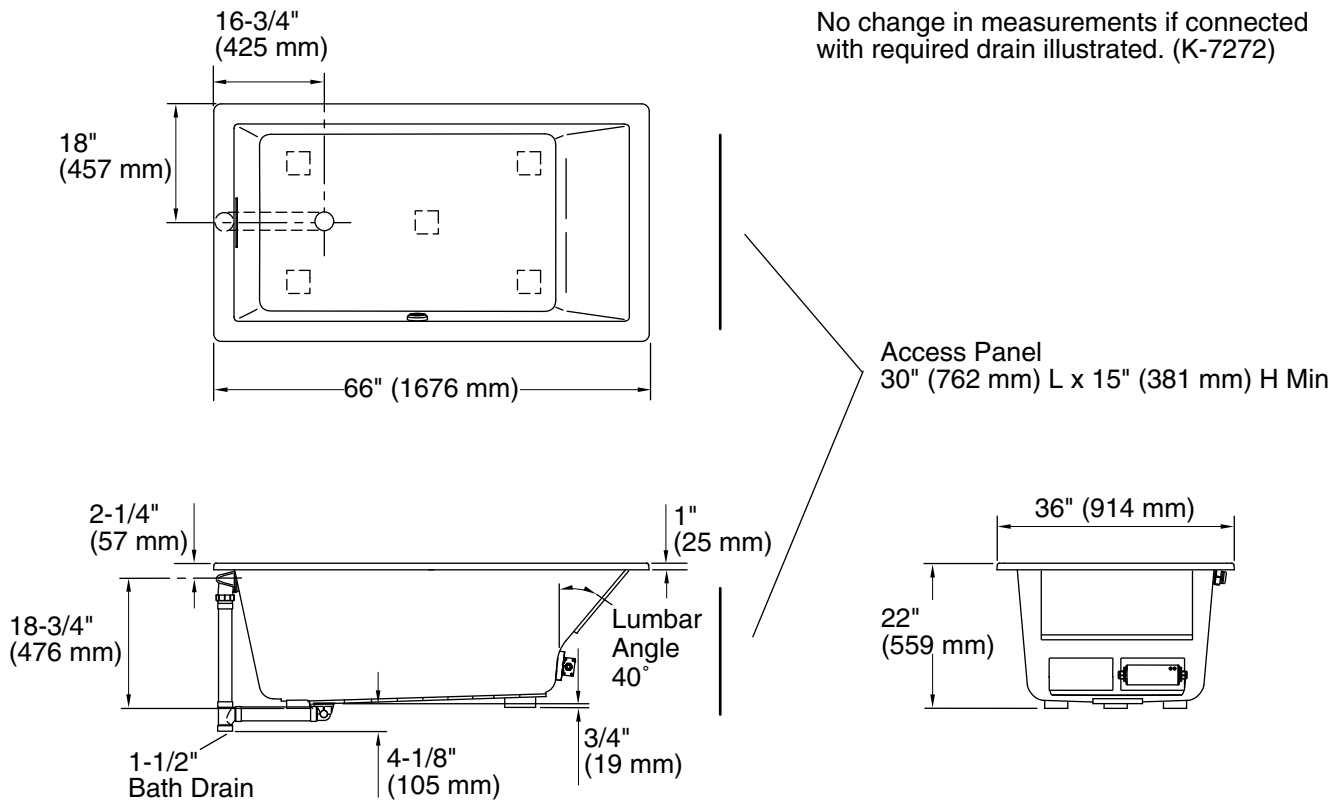
Installation Notes

Install this product according to the installation guide.

Locate the bath within 24" (610 mm) of a GFCI-protected, 120 V, 15 A, grounded electrical outlet.

Floor support under bath must provide for a minimum of 58 lbs/square foot (283 kg/square meter) loading.

The hot water supply should be 70% of the capacity of the bath or greater. Installations will vary.



Product Diagram

UNDERScore™ 5.5' DROP-IN BATH WITH BASK™ HEATED SURFACE

Page 2 of 2
1196031-4-A

THE BOLD LOOK
OF **KOHLER**®