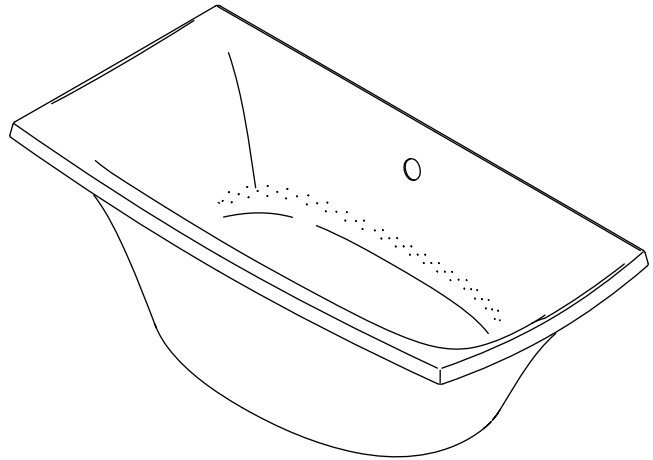


### Features

- Acrylic
- Two-piece design
- Complements the Escale Suite
- BubbleMassage blower requires remote mounting
- 72" (1829 mm) x 36" (914 mm) x 24-1/8" (613 mm)

### FREESTANDING BUBBLEMASSAGE™ BATH K-14037-G



### Codes/Standards Applicable

Specified model meets or exceeds the following:

- CSA B45.5/IAPMO Z124
- ASTM E162
- ASTM E662
- ASME A112.19.7/CSA B45.10
- UL 1795

### Colors/Finishes

- 0: White
- Other: Refer to Price Book for additional colors/finishes

### Specified Model

Model	Description	Colors/Finishes	
K-14037-G	6' Freestanding BubbleMassage bath	<input type="checkbox"/> 0	<input type="checkbox"/> Other_____
<b>Required Accessories</b>			
K-7219	Bath drain	<input type="checkbox"/> CP	<input type="checkbox"/> Other_____
<b>Recommended Accessories</b>			
Ceiling-mount installation			
K-922	Laminar ceiling-mount bath filler – with 13/16" (21 mm) diameter orifice <b>OR</b>	<input type="checkbox"/> CP	<input type="checkbox"/> Other_____
K-923	Laminar ceiling-mount bath filler – with 15/16" (24 mm) diameter orifice	<input type="checkbox"/> CP	<input type="checkbox"/> Other_____
Floor-mount installation			
K-994	Stillness® Floor-Mount Bath Filler <b>OR</b>	<input type="checkbox"/> CP	<input type="checkbox"/> Other_____
K-10129	Purist® Floor-Mount Bath Filler	<input type="checkbox"/> CP	<input type="checkbox"/> Other_____
<b>Optional Accessories</b>			
K-1676	Pillow	<input type="checkbox"/> 0	
K-1601	Footstop	<input type="checkbox"/> 0	<input type="checkbox"/> Other_____

### Product Specification

The two-piece acrylic bath shall be 72" (1829 mm) in length, 36" (914 mm) in width, and 24-1/8" (613 mm) in height. Bath shall complement the Escale Suite. BubbleMassage blower shall require remote mounting. Bath shall be Kohler Model K-14037-G-\_\_\_\_\_.

# ESCALE®

## Technical Information

Fixture*:				
Bathing well				
Basin area, bottom	46-3/4" (1187 mm) x 21-5/8" (549 mm)			
Basin area, top	69-15/16" (1776 mm) x 34-3/8" (873 mm)			
Weight	130 lbs (59 kg)			
To overflow				
Water depth	16-1/2" (421 mm)			
Capacity	71 gal (268.8 L)			
* Approximate measurements for comparison only.				
Blower motor:	Heater	V	Hz	A
	300 W	120	60	5

Recommended spouts and spout locations*:	
<b>Area A</b> – floor-mount installation	K-994 <b>OR</b> K-10129
<b>Area B</b> – ceiling-mount installation	K-922 <b>OR</b> K-923
*Refer to shaded areas in product diagram for recommended installation area locations.	

## Required Electrical Service

Dedicated circuit required, protected with Class A Ground-Fault Circuit-Interrupter (GFCI):	
Blower motor:	120 V, 15 A, 60 Hz
Blower motor is supplied with a 24" (610 mm) grounding-type plug-in cord.	

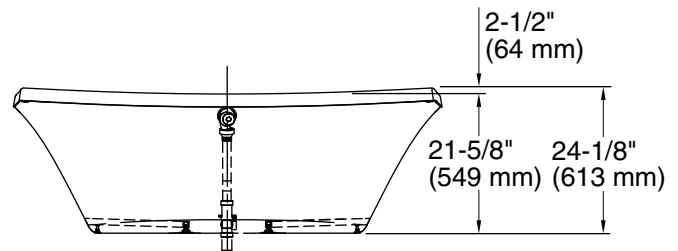
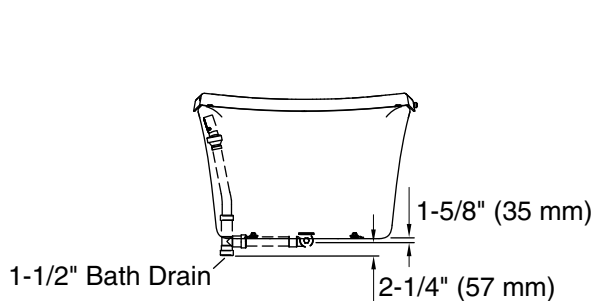
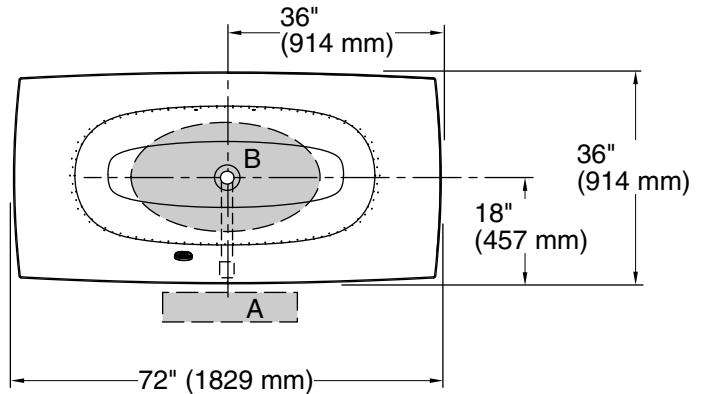
## Installation Notes

Install this product according to the installation guide.

Floor support under bath must provide for a minimum of 41.5 lbs/square foot (202.8 kg/square meter) loading.

BubbleMassage blower requires remote mounting.

No change in measurements if connected with drain illustrated. (K-7219)



## Product Diagram