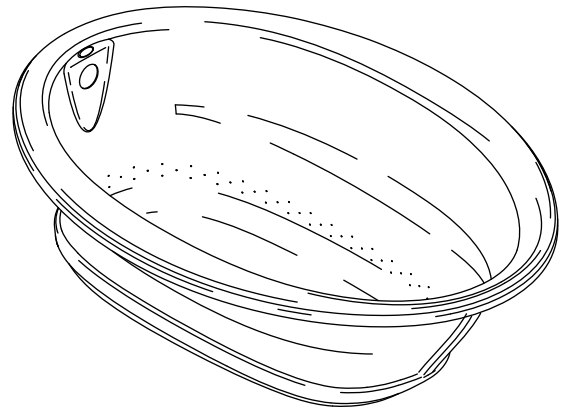


BUBBLEMASSAGE™ BATH K-1162-S1G

Features

- *ExoCrylic™*
- *Oval shape*
- *Drop-in installation*
- *120 BubbleMassage™ airjets*
- *Blower motor with 300 W heater and electronic user control*
- *Blower motor is supplied with a grounding-type plug-in cord*
- *Molded lumbar support and armrests for comfort*
- *60" (1524 mm) x 42" (1067 mm) x 20" (508 mm)*



Codes/Standards Applicable

Specified model meets or exceeds the following:

- *ASME A112.19.7/CSA B45.10*
- *CSA B45.5/IAPMO Z124*
- *UL 1795*

Colors/Finishes

- 0: White
- Other: Refer to Price Book for additional colors/finishes

Accessories

- CP: Polished Chrome
- PB: Vibrant® Polished Brass
- NA: None applicable

Specified Model

Model	Description	Colors/Finishes	
K-1162-S1G	BubbleMassage bath	<input type="checkbox"/> 0	<input type="checkbox"/> Other_____
Recommended Accessories			
K-576	Undermount kit	<input type="checkbox"/> NA	
K-11677	Swiftflo™ adjustable trip lever drain		<input type="checkbox"/> CP <input type="checkbox"/> PB

Product Specification

The ExoCrylic bath shall be 60" (1524 mm) in length, 42" (1067 mm) in width, and 20" (508 mm) in height. Bath shall be oval shaped and for drop-in installation. Bath shall feature blower motor with 300 W heater, electronic user control, and grounding-type plug-in cord. Bath shall feature 120 BubbleMassage airjets, and molded lumbar support and armrests. Bath shall be Kohler Model K-1162-S1G-_____.

SUNWARD®

Technical Information

Fixture*:	
Bathing well:	
Basin area, bottom	43" (1092 mm) x 21-9/16" (548 mm)
Basin area, top	53-1/2" (1359 mm) x 32-1/8" (816 mm)
Weight	110 lbs (50 kg)
To overflow:	
Water depth	15" (381 mm)
Capacity	57 gal (215.9 L)
* Approximate measurements for comparison only.	

Included components:	
Cutout template	1042556-7

Blower motor	Heater	V	Hz	A
	300 W	120	60	10

Required Electrical Service

Dedicated circuit required, protected with a Class A Ground-Fault Circuit-Interrupter (GFCI):	
Pump/control	120 V, 15 A, 60 Hz
Locate the outlet behind the bath and within 24" (610 mm) of the blower.	

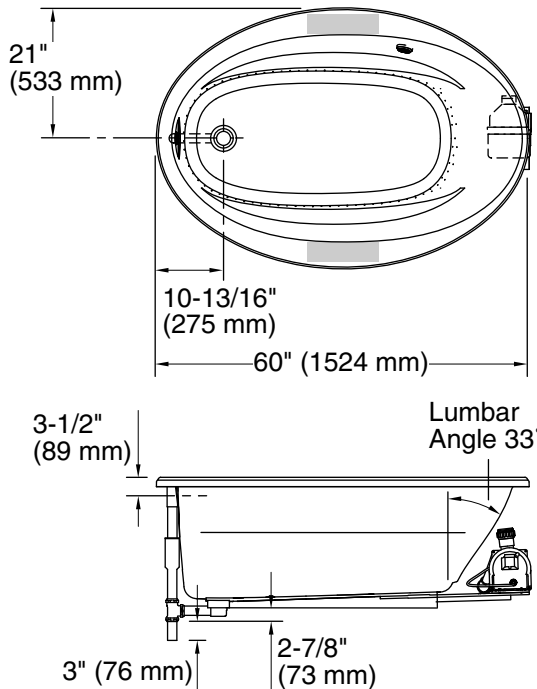
Installation Notes

Install this product according to the installation guide.

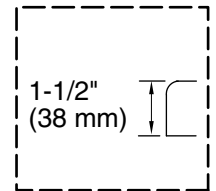
Floor support under bath must provide for a minimum of 35 lbs/square foot (171 kg/square meter) loading.

No change in measurements if connected with drain illustrated. (K-11677)

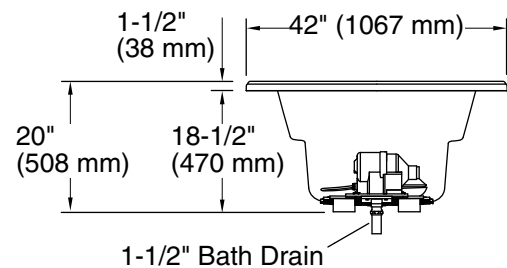
Recommended faucet area



Blower/Control Access
20" (508 mm) W x
15" (381 mm) H Min



Drop-In Rim Detail



Product Diagram