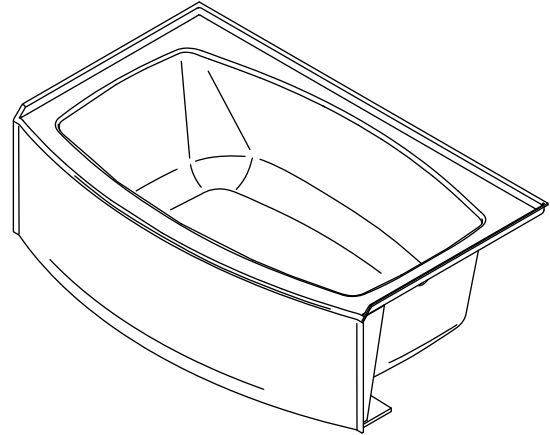


Features

- Acrylic
- Bask™ heated lumbar support with three temperature settings
- Curved integral apron
- Textured bottom surface
- Integral tile flange
- Left or right drain
- Install footprint: 38" (965 mm) width at center of apron
- 60" (1524 mm) x 32" (813 mm) x 17" (432 mm)

5' CURVED APRON BATH WITH BASK™ HEATED SURFACE **K-1100-LAW** ALSO K-1100-RAW



Codes/Standards Applicable

Specified model meets or exceeds the following:

- CSA B45.5/IAPMO Z124
- ASTM E162
- ASTM E662
- UL 1795
- ASME A112.19.7/CSA B45.10

Colors/Finishes

- 0: White
- Other: Refer to Price Book for additional colors/finishes

Accessories

- CP: Polished Chrome
- Other: Refer to Price Book for additional colors/finishes

Specified Model

Model	Description	Colors/Finishes	
K-1100-LAW	5' Curved apron bath with Bask heated surface – left drain	<input type="checkbox"/> 0	<input type="checkbox"/> Other_____
K-1100-RAW	5' Curved apron bath with Bask heated surface – right drain	<input type="checkbox"/> 0	<input type="checkbox"/> Other_____

Recommended Accessories			
K-7161	Clearflo 1-1/2" adjustable pop-up bath drain	<input type="checkbox"/> CP	<input type="checkbox"/> Other_____
K-7213	Clearflo cable bath drain with PVC tubing	<input type="checkbox"/> CP	<input type="checkbox"/> Other_____
K-7214	Clearflo cable bath drain without PVC tubing	<input type="checkbox"/> CP	<input type="checkbox"/> Other_____

Product Specification

The curved apron bath shall be made of acrylic. Bath shall be 60" (1524 mm) in length, 32" (813 mm) in width, and 17" (432 mm) in height. Bath shall have install footprint of 38" (965 mm) width at center of apron. Bath shall feature a curved integral apron, integral tile flange, and textured bottom surface. Bath shall feature Bask heated lumbar support with three temperature settings. Bath shall be available with left or right drain. Bath shall be Kohler Model K-1100-____-____.

EXPANSE®

Technical Information

Fixture*:				
Bathing well:				
Basin area, top	54" (1372 mm) x 31" (787 mm)			
Basin area, bottom	45-11/16" (1160 mm) x 27-5/8" (702 mm)			
Weight	78 lbs (35.4 kg)			
To overflow:				
Water depth	12-5/8" (321 mm)			
Capacity	60 gal (227.1 L)			
* Approximate measurements for comparison only.				
Heater:	W	V	HZ	A
	65	120	60	1.1

Installation Notes

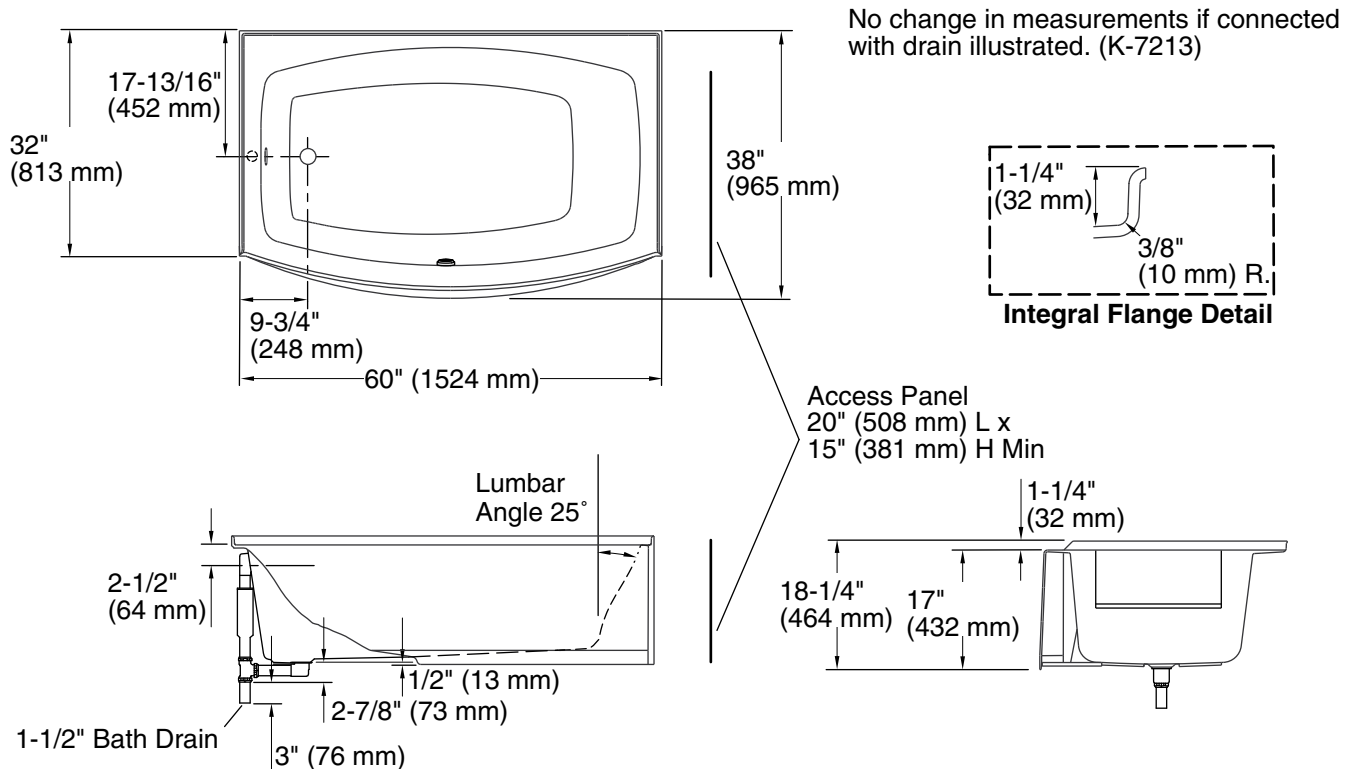
Install this product according to the installation guide.

Floor support under bath must provide for minimum of 38 lbs/square foot (186 kg/square meter) loading.

The hot water supply should be 70% of the capacity of the bath or greater. Installations will vary.

Locate a GFCI-protected 120 V, 15 A, grounded electrical outlet within 24" (610 mm) of the bath junction box.

40" (1016 mm) cable is included.



Product Diagram