

Product Information

Applicable product:				
Apron bath with Bask heated surface, left drain (shown)		K-1150-LAW		
Apron bath with Bask heated surface, right drain		K-1150-RAW		
Fixture:*				
Bathing well:				
Basin area, bottom	45" (1143 mm) x 22" (559 mm)			
Basin area, top	54" (1372 mm) x 25" (635 mm)			
Weight	80 lbs (36.3 kg)			
To overflow:				
Water depth	15" (381 mm)			
Capacity	60 gal (227.1 L)			
* Approximate measurements for comparison only.				
Recommended accessories:				
Clearflo toe-tap drain OR		K-7259		
Swiftflo™ adjustable trip lever drain		K-11677		
Heater:	W	V	HZ	A
	65	120	60	1.1

Installation Notes

Install this product according to the installation guide.

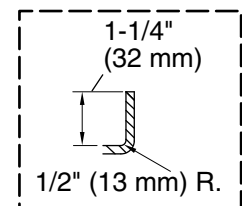
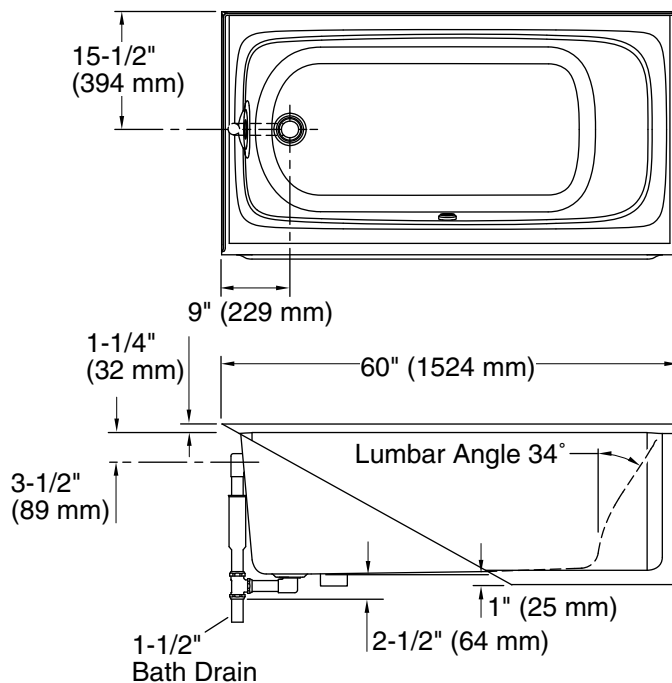
Locate a GFCI-protected 120 V, 15 A, grounded electrical outlet within 24" (610 mm) of the bath junction box.

40" (1016 mm) cable is included.

Unless otherwise specified, floor support under bath must provide for a minimum of 45 lbs/square foot (222 kg/square meter) loading.

Fixture conforms to CSA B45.5/IAPMO Z124. All dimensions are nominal.

No change in measurements if connected with drain illustrated. (K-11677)



Integral Flange Detail

