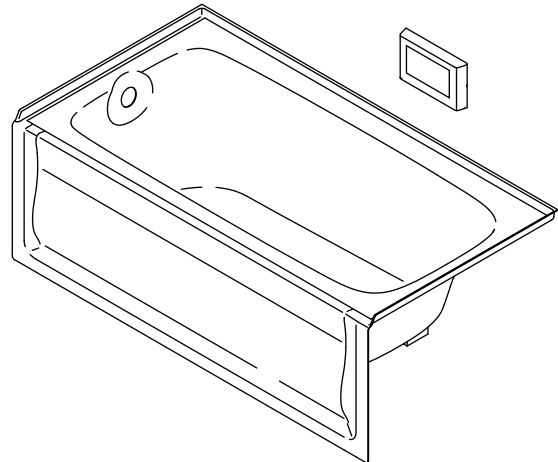


### Features

- Acrylic
- VibrAcoustic technology emits sound waves and offers a surround sound experience
- Six transducers and a control amplifier with 25' (7.6 m) of wiring
- User-friendly high-resolution color touch screen in polished chrome
- Integral apron with removable access panel
- Integral tile flange
- Molded lumbar support for comfort
- Textured bottom surface
- Alcove installation
- Left or right drain
- 60" (1524 mm) x 32" (813 mm) x 21-1/4" (540 mm)

### 5' VIBRACOUSTIC® BATH WITH INTEGRAL APRON K-1151-VBLA ALSO K-1151-VBRA



### Codes/Standards Applicable

Specified model meets or exceeds the following:

- CSA B45.5/IAPMO Z124
- ASTM E162
- ASTM E662
- UL 1795

### Colors/Finishes

- 0: White
- Other: Refer to Price Book for additional colors/finishes
- CP: Polished Chrome
- BN: Brushed Nickel

### Specified Model

Model	Description	Colors/Finishes	
K-1151-VBLA	5' VibrAcoustic bath with integral apron, left drain (shown)	<input type="checkbox"/> 0	<input type="checkbox"/> Other _____
K-1151-VBRA	5' VibrAcoustic bath with integral apron, right drain	<input type="checkbox"/> 0	<input type="checkbox"/> Other _____

#### Recommended Accessories

K-11677	Swiftflo™ adjustable trip lever drain	<input type="checkbox"/> CP	
K-7259	Clearflo toe-tap drain	<input type="checkbox"/> CP	<input type="checkbox"/> Other _____

#### Optional Accessories

1172315	VibrAcoustic interface mounting plate (non-CP finish)		<input type="checkbox"/> BN
K-1491	Bath pillow	<input type="checkbox"/> 0	<input type="checkbox"/> Other _____
K-1601	Bath footstop	<input type="checkbox"/> 0	<input type="checkbox"/> Other _____

### Product Specification

The acrylic VibrAcoustic bath shall be 60" (1524 mm) in length, 32" (813 mm) in width, and 21-1/4" (540 mm) in height. Bath shall be for alcove installation. Bath shall feature VibrAcoustic technology offering a surround sound experience. Bath shall have six transducers and a control amplifier with 25' (7.6 m) of wiring. Bath shall feature user-friendly high-resolution color touch screen in polished chrome. Bath shall have a left or right drain. Bath shall feature an integral apron with removable access panel. Bath shall have an integral tile flange. Bath shall have molded lumbar support for comfort. Bath shall feature a textured bottom surface. Bath shall be Kohler Model K-1151-\_\_\_\_\_-\_\_\_\_\_.

# BANCROFT®

## Technical Information

Fixture*:	
Bathing well:	
Basin area	45" (1143 mm) x 22" (559 mm)
Top area	54" (1372 mm) x 25" (635 mm)
Bath with apron	
Weight	91 lbs (41.3 kg)
To overflow:	
Water depth	15" (381 mm)
Capacity	60 gal (227.1 L)
*Approximate measurements for comparison only.	

Amplifier/control:	Power per channel (rms) W	V	Hz
	15	120	50/60z

## Required Electrical Service

Dedicated circuit required, protected with Class A Ground-Fault Circuit-Interrupter (GFCI) or Residual Current Device (RCD):

Amplifier/control: 120 V, 15 A, 50/60 Hz

## Installation Notes

Install this product according to the installation guide.

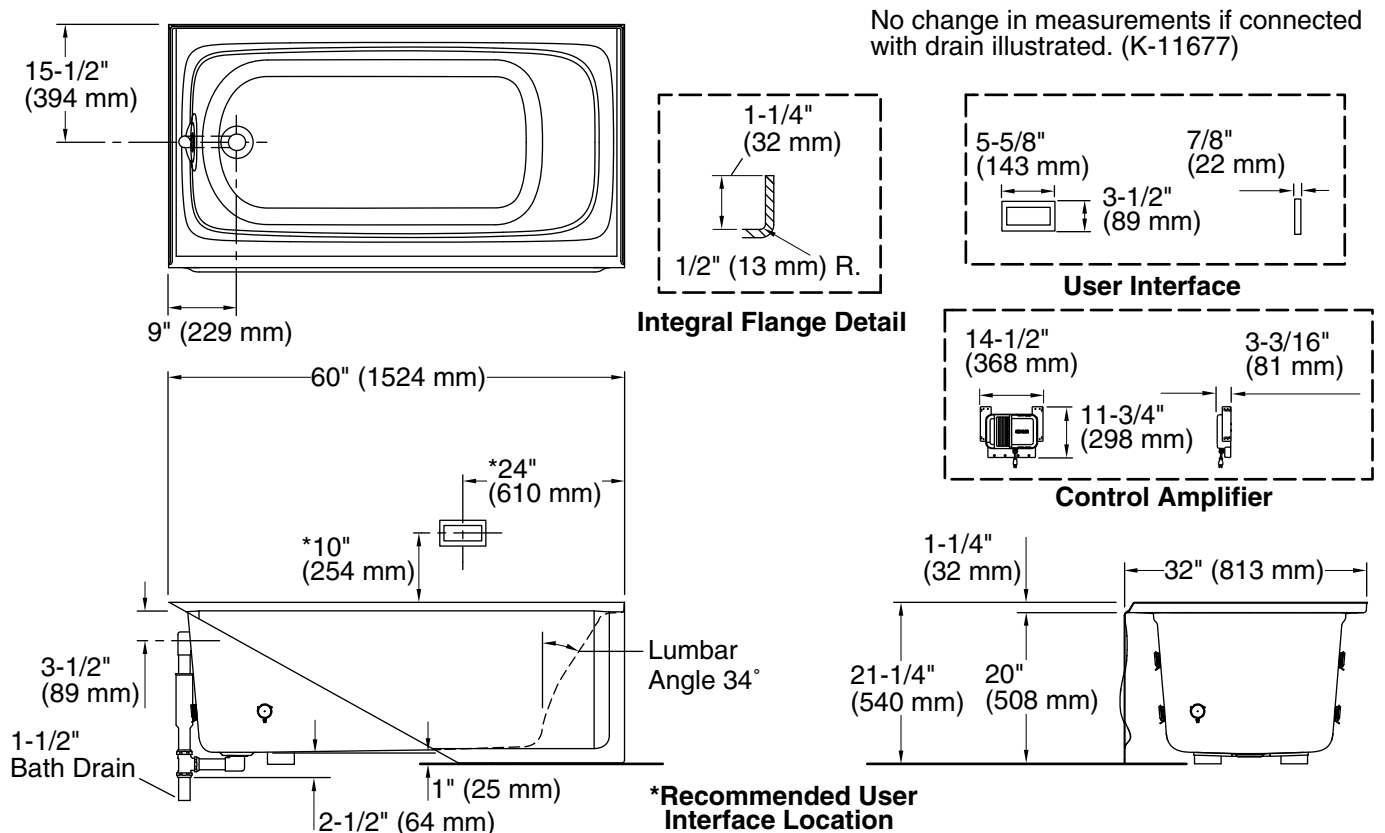
Control amplifier fits 16" (406 mm) center studs.

A grounded outlet within the wall framing must be within 24" (610 mm) of the planned control amplifier.

Cables are included, 25' (7.6 m) each.

Floor support under bath must provide for a minimum of 45 lbs/square foot (219.7 kg/square meter) loading.

Ensure that the bath, user interface, amplifier, and transducers are functional before completing the installation.



## Product Diagram