

### Features

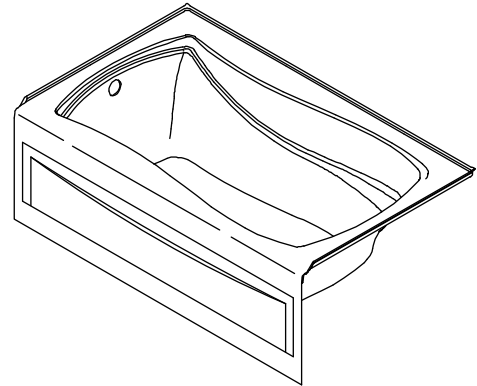
- Acrylic
- Bask™ heated lumbar support with three temperature settings
- Textured bottom surface
- Integral apron with removable access panel
- Integral tile flange
- 3-wall alcove installation
- Left or right drain
- 60" (1524 mm) x 36" (914 mm) x 20" (508 mm)

### Codes/Standards Applicable

Specified model meets or exceeds the following:

- CSA B45.5/IAPMO Z124
- ASTM E162
- ASTM E662
- UL 1795
- ASME A112.19.7/CSA B45.10

### 5' APRON BATH WITH BASK™ HEATED SURFACE K-1242-LAW ALSO K-1242-RAW



### Colors/Finishes

- 0: White
- Other: Refer to Price Book for additional colors/finishes

### Accessories

- CP: Polished Chrome
- PB: Vibrant® Polished Brass
- Other: Refer to Price Book for additional colors/finishes

### Specified Model

Model	Description	Colors/Finishes	
K-1242-LAW	5' Apron bath with Bask heated surface – left drain	<input type="checkbox"/> 0	<input type="checkbox"/> Other_____
K-1242-RAW	5' Apron bath with Bask heated surface – right drain	<input type="checkbox"/> 0	<input type="checkbox"/> Other_____

Recommended Accessories			
K-7161-AF	Drain	<input type="checkbox"/> CP	<input type="checkbox"/> PB <input type="checkbox"/> Other_____

### Product Specification

The acrylic apron bath shall be 60" (1524 mm) in length, 36" (914 mm) in width, and 20" (508 mm) in height. Bath shall feature Bask heated lumbar support with three temperature settings. Bath shall have textured bottom surface. Bath shall have an integral apron with removable access panel and integral tile flange. Bath shall feature Bask heated lumbar support with three temperature settings. Bath shall be for 3-wall alcove installation. Bath shall be available with left or right drain. Bath shall have integral apron and integral tile flange. Bath shall be Kohler Model K-1242-\_\_\_\_\_-\_\_\_\_\_.

# MARIPOSA®

## Technical Information

Fixture:*				
Bathing well				
Basin area, bottom	46" (1168 mm) x 24" (610 mm)			
Basin area, top	54" (1372 mm) x 27" (686 mm)			
Weight	62 lbs (28.1 kg)			
To overflow				
Water depth	14" (356 mm)			
Capacity	63 gal (238.5 L)			
* Approximate measurements for comparison only.				
Heater:	W	V	HZ	A
	65	120	60	1.1

## Installation Notes

Install this product according to the installation guide.

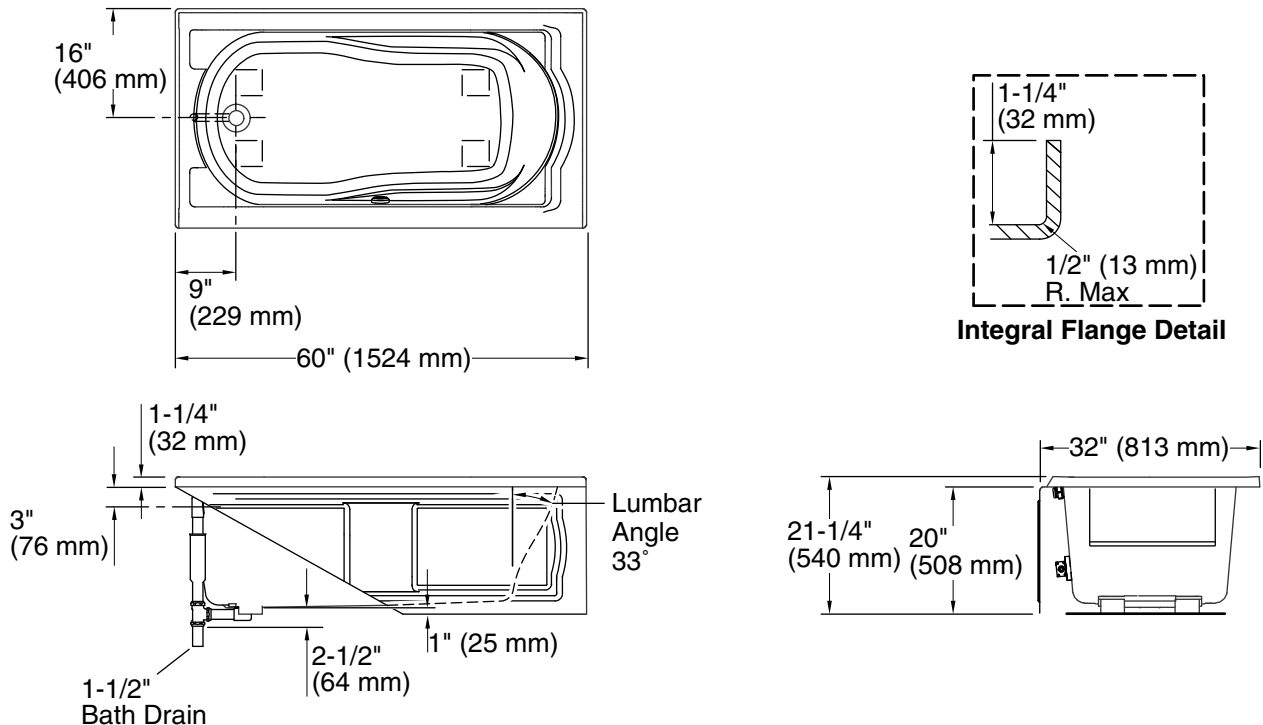
**NOTE:** Unless otherwise specified, floor support under bath must provide for a minimum of 41 lbs/square foot (200 kg/square meter) loading.

If installing a rim-mount faucet, make sure any plumbing does not interfere with the drain overflow before drilling any holes. Consult local and national codes for minimum air gap requirements if installing a spout on the faucet deck.

Locate a GFCI-protected 120 V, 15 A, grounded electrical outlet within 24" (610 mm) of the bath junction box.

40" (1016 mm) cable is included.

No change in measurements if connected with drain illustrated. (K-7161-AF)



## Product Diagram