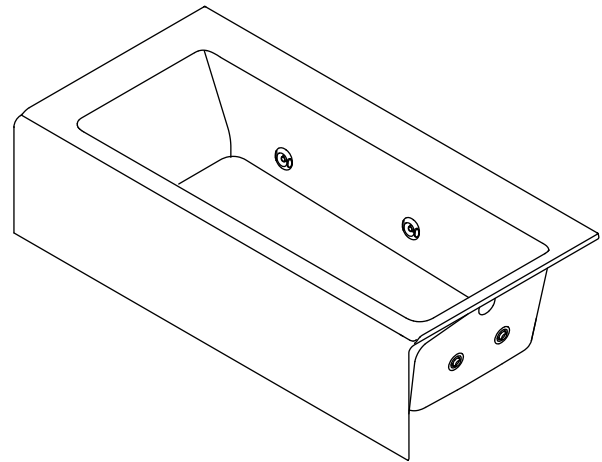


### Features

- Cast iron with Safeguard® finish
- Variable-speed pump with 1.5 kW heater and back-lit user keypad
- 6 adjustable hydro-massage Flexjets®
- Less all trim
- Integral apron
- 3-wall alcove installation
- Left or right drain
- 66" (1676 mm) x 32" (813 mm) x 16-1/2" (419 mm)

### 5.5' BATH WHIRLPOOL WITH INTEGRAL APRON K-859-H2 ALSO K-860-H2

ADA



### Codes/Standards Applicable

Specified model meets or exceeds the following:

- ASME A112.19.7/CSA B45.10
- CSA C22.2 No 218.2
- UL 1795
- ASME A112.19.1/CSA B45.2
- ADA
- ICC/ANSI A117.1

### Colors/Finishes

- 0: White
- Other: Refer to Price Book for additional colors/finishes
- CP: Polished Chrome
- PB: Vibrant® Polished Brass
- NA: None applicable

### Specified Model

Model	Description	Colors/Finishes	
K-859-H2	5.5' Bath whirlpool with integral apron – left drain	<input type="checkbox"/> 0	<input type="checkbox"/> Other _____
K-860-H2	5.5' Bath whirlpool with integral apron – right drain (shown)	<input type="checkbox"/> 0	<input type="checkbox"/> Other _____
<b>Required Accessories</b>			
K-9696	Jet trim kit	<input type="checkbox"/> 0	<input type="checkbox"/> Other _____
<b>Recommended Accessories</b>			
K-7259	Toe tap bath drain <b>OR</b>	<input type="checkbox"/> CP	<input type="checkbox"/> Other _____
K-37380	Cable bath drain – 30" (762 mm), brass <b>OR</b>	<input type="checkbox"/> CP	<input type="checkbox"/> Other _____
K-37383	Cable bath drain – 30" (762 mm), with PVC tubing	<input type="checkbox"/> CP	<input type="checkbox"/> Other _____

### Product Specification

The bath whirlpool shall be made of cast iron with Safeguard finish. Product shall be 66" (1676 mm) in length, 32" (813 mm) in width, and 16-1/2" (419 mm) in height. Product shall have a variable-speed pump with 1.5 kW heater and back-lit user keypad. Product shall have 6 adjustable hydro-massage Flexjets. Product shall have integral apron. Product shall be available with left or right drain. Product shall be for 3-wall alcove installation. Product shall be less all trim. Bath whirlpool shall be Kohler Model K-\_\_\_\_-H2-\_\_\_\_\_.

# BELLWETHER®

## Optional Accessories

K-1703	Remote control				<input type="checkbox"/> NA
K-9497	2-1/2" (64 mm) metal finish keypad trim	<input type="checkbox"/> CP	<input type="checkbox"/> PB	<input type="checkbox"/> Other_____	

## Technical Information

Fixture*:	
Bathing well:	
Basin area, bottom	50-3/4" (1289 mm) x 20-5/16" (516 mm)
Basin area, top	58-7/16" (1484 mm) x 22-5/8" (575 mm)
Weight	470 lbs (213.2 kg)
To overflow:	
Water depth	11-11/16" (297 mm)
Capacity	49 gal (185.7 L)
*Approximate measurements for comparison only.	

Pump:	kW	V	HZ	A
Variable-speed	1.5	240	50/60	11

## Required Electrical Service

Dedicated circuit required, protected with a Class A Ground-Fault Circuit-Interrupter (GFCI):

Pump/control 208-240 V, 20 A, 50/60 Hz

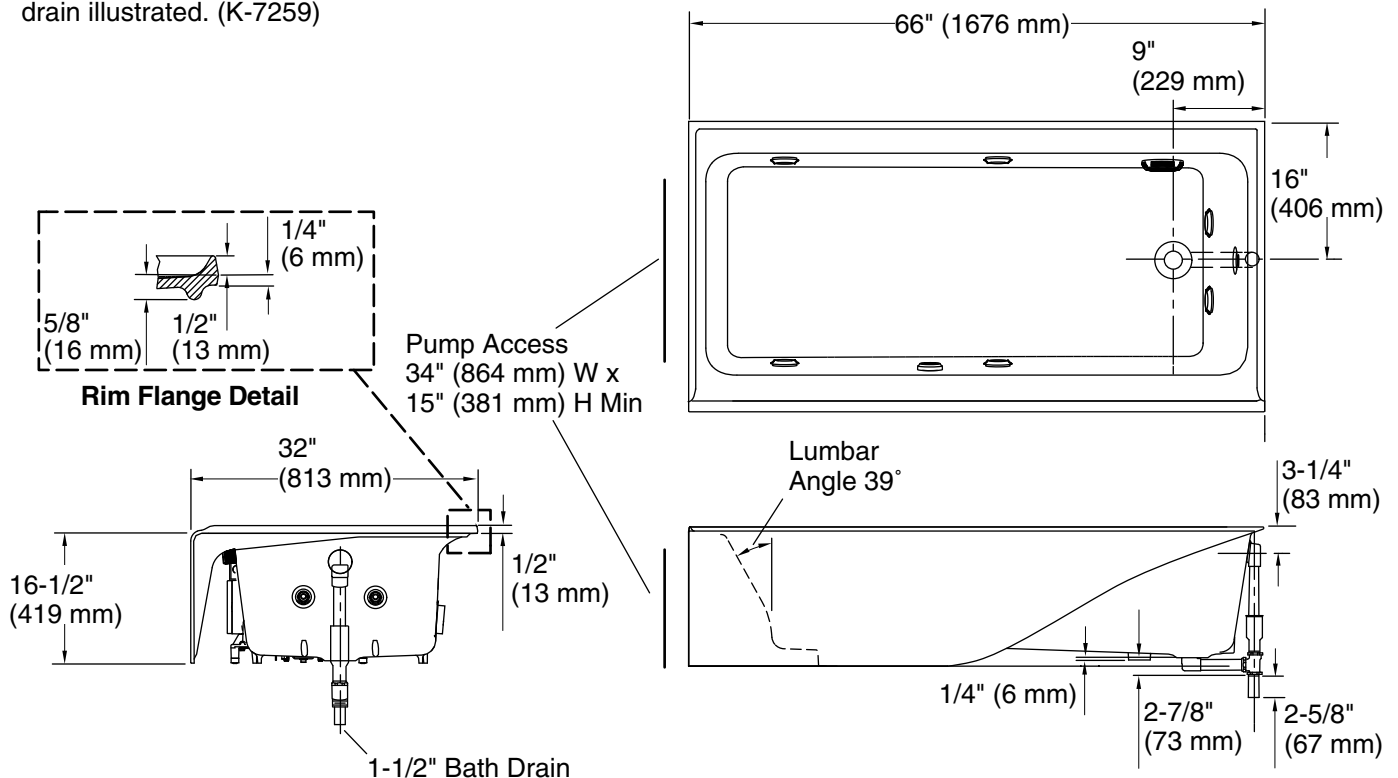
## Installation Notes

Install this product according to the installation guide.

Floor support under the bath must provide for a minimum of 61.6 lbs/square foot (300.9 kg/square meter) loading.

Will comply with **ADA** when installed per Section 607 Bathtubs of the ADA 2010 Standards for Accessible Design.

No change in measurement if connected with drain illustrated. (K-7259)



## Product Diagram

BELLWETHER® 5.5' BATH WHIRLPOOL WITH INTEGRAL APRON

Page 2 of 2  
1183442-4-B

THE BOLD LOOK  
OF **KOHLER**®