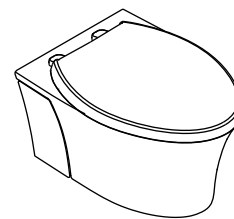
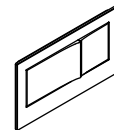


### WALL-HUNG TOILET K-6303

#### Features

- Vitreous china
- High efficiency 1.6 gpf (6 lpf) or 0.8 gpf (3 lpf) with dual flushing system
- Custom bowl height, adjustable from 15-5/8" (397 mm) to 26" (660 mm) rim height
- In-wall tank and carrier system with rigid solid steel tube frame
- Thick insulation fully envelopes durable polypropylene tank to prevent condensation
- Includes large chrome-plated wall plate actuator with easy servicing accessibility
- Includes seat and cover
- Less supply
- 3" (76 mm) glazed trapway
- 4-1/2" (114 mm) x 5-1/2" (140 mm) water area
- 21" (533 mm) x 15-1/8" (384 mm) x 13-3/4" (349 mm)



#### Codes/Standards Applicable

Specified model meets or exceeds the following:

- ASME A112.19.2/CSA B45.1
- ASME A112.19.14
- EPA WaterSense®
- ASME A112.6.2
- ADA
- ICC/ANSI A117.1
- OBC
- CSA B651

#### Colors/Finishes

- 0: White

#### Accessories

- CP: Polished Chrome
- Other: Refer to Price Book for additional colors/finishes

#### Specified Model

Model	Description	Colors/Finishes
K-6303	Wall-hung toilet with in-wall tank and carrier system	<input type="checkbox"/> 0

Recommended Accessories			
K-6298	Dual flush actuator	<input type="checkbox"/> CP	<input type="checkbox"/> Other _____
K-4670	Lustra™ open-front elongated seat	<input type="checkbox"/> 0	<input type="checkbox"/> Other _____

#### Product Specification

The wall-hung toilet shall be made of vitreous china. Toilet shall allow custom bowl rim height of 15-5/8" (397 mm) to 26" (660 mm). Toilet shall have an in-wall tank and carrier system with rigid solid steel tube frame. Toilet shall include a large chrome-plated wall plate actuator, and seat with cover. Toilet shall be high efficiency 1.6 gpf (6 lpf) or 0.8 gpf (3 lpf) with dual flushing system. Toilet shall have thick insulation that fully envelopes polypropylene tank. Toilet shall have 3" (76 mm) glazed trapway. Toilet shall be 21" (533 mm) in length, 15-1/8" (384 mm) in width, and 13-3/4" (349 mm) in height with a 4-1/2" (114 mm) x 5-1/2" (140 mm) water area. Toilet shall not include supply. Toilet shall be a Kohler Model K-6303-\_\_\_\_\_.

### Optional Accessory:

K-6291-NA Cast iron waste pipe elbow, 90 degrees

CP

Other\_\_\_\_\_

## Technical Information

Fixture:	
Configuration	Wall-hung elongated bowl toilet
Water per flush	1.6 gpf (6 lpf) or 0.8 gpf (3 lpf)
Passageway	3" (76 mm)
Water area	4-1/2" (114 mm) x 5-1/2" (140 mm)
Seat post hole centers	5-1/2" (140 mm)

### Included components:

Bowl	K-6299
Toilet seat	K-4008
In-wall tank and carrier system	K-6284
Dual flush actuation plate	K-6298

## Installation Notes

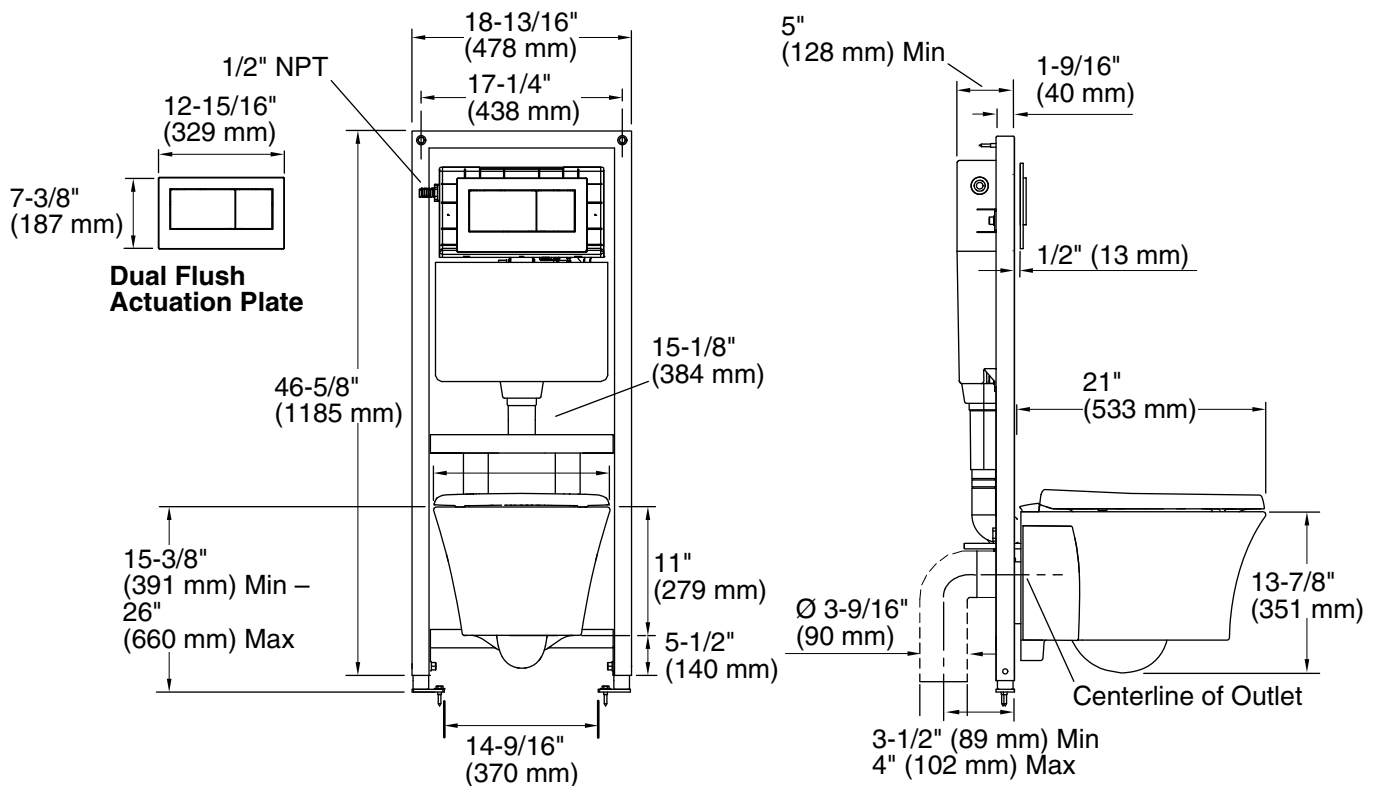
Install this product according to the installation guide.

Installation requires 2x6 framing.

Refer to manufacturer and local codes for flush valve requirements.

In-wall tank and carrier system install in wall opening 5-1/2" (140 mm) x 19" (483 mm) x 50" (1270 mm) minimum.

Will comply with the American Disabilities Act (**ADA**) when installed per the requirements of the 2010 ADA Standards for Accessible design, Section 604 Water Closets. The Model Plumbing Codes require the installation of elongated open-front toilet seats in public bathrooms.



## Product Diagram