

The logo features the word "Kraus" in a white, serif font with a registered trademark symbol (®) to the upper right. The letter "K" is stylized with three horizontal lines passing through its vertical stem. The letters "a" and "u" also have horizontal lines passing through them. The logo is set against a solid black rectangular background.

**Kraus<sup>®</sup>**

INSTALLATION MANUAL

## **Single Lever Pull-Out Kitchen Mixer**

**KPF-1622**

## **Congratulations on your new Kraus purchase!**

We would like to take this opportunity to thank you for your business with Kraus USA. It is our sincere hope that you are completely satisfied with your Kraus experience. We welcome any questions or comments you may have, and look forward to assisting you in the future.

For more information about Kraus products, please visit our website at:  
**[www.kraususa.com](http://www.kraususa.com)**.

In order to allow us to serve you better, we recommend registering your new Kraus product at: **[www.kraususa.com/product-registration](http://www.kraususa.com/product-registration)**

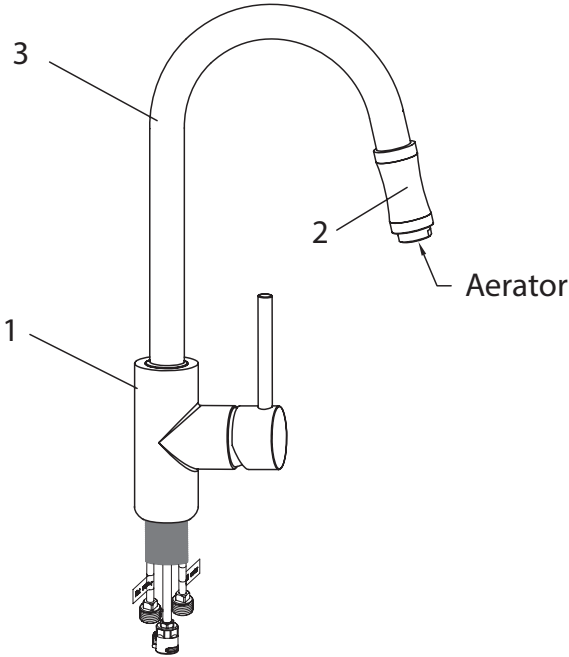
*Sincerely,*

*Kraus Customer Service Department*

## Prior to Installation

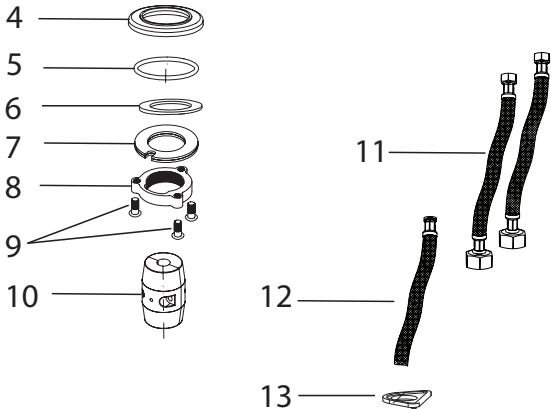
- Make sure that the cold and hot water lines are turned off
- Wrap all threaded connections with Teflon tape. Always wrap in a clockwise direction
- Cover your drain to avoid losing parts
- Do not disassemble the main faucet body, as it has been installed & commissioned correctly & precisely before delivery from the factory
- To keep the faucet from jamming, flush the water pipe before installation
- Using condition: Working pressure at 0.05-1.0MPa (including cold & hot water pressure) with applicable water temperature: 4°C-90°C

# KPF-1622 Diagram and Parts List



### Included Parts:

- 1. Faucet Body
- 2. Aerator Head
- 3. Spout
- 4. Base
- 5. Base O-Ring
- 6. Rubber Washer
- 7. Metal Washer
- 8. Mounting Nut
- 9. Mounting Screws (2)
- 10. Weight
- 11. Hot & Cold Waterlines (2)
- 12. Spray hose
- 13. Faucet Extender (Optional)



### Tools you will need:

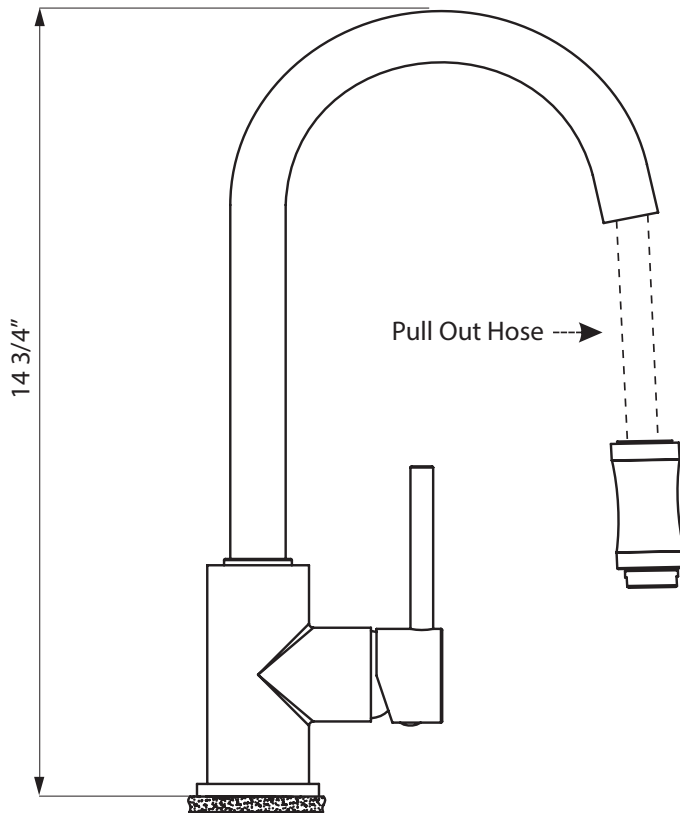


Wrench



Phillips Screwdriver

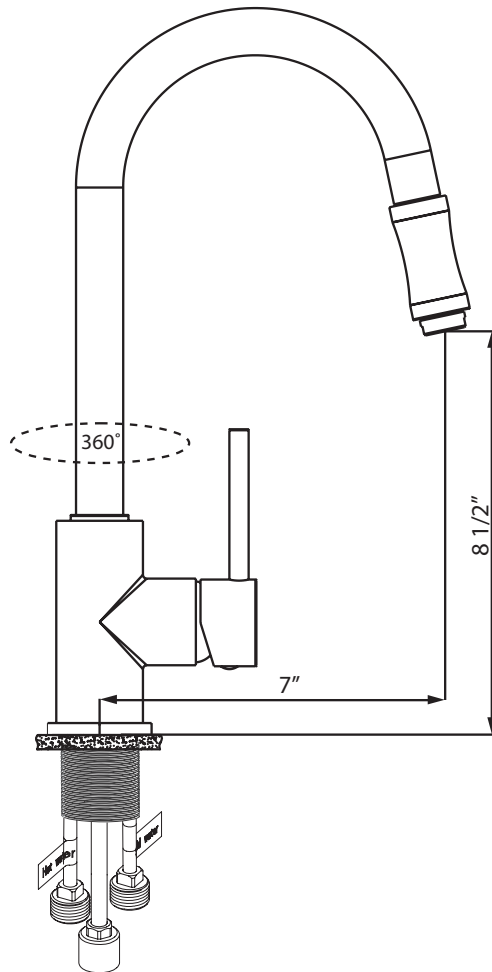
## Dimension Drawings



### Safety Tips

- If soldering the water connections when installing the faucet, remove the O-rings, cartridges, and washers before applying any heat
- Protect your eyes with safety glasses when cutting or soldering

## Dimension Drawings



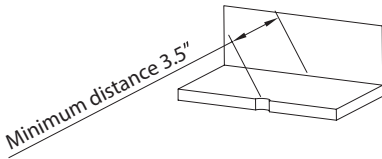
### Safety Tips

- Do not overtighten fixing screws/nuts. Tighten finger-tight, then use a wrench/screwdriver to tighten the fixing screw/nut until snug

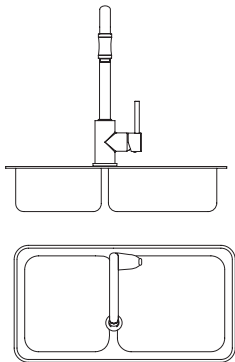
# Faucet Installation Methods

## Installation Method 1

---

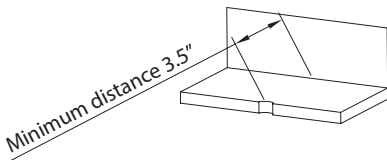


The minimum distance between the faucet hole and wall should be 3.5"

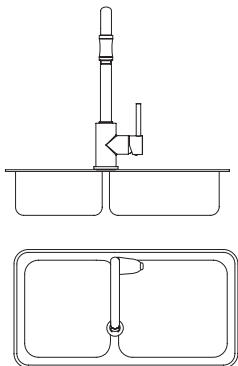


## Installation Method 2

---



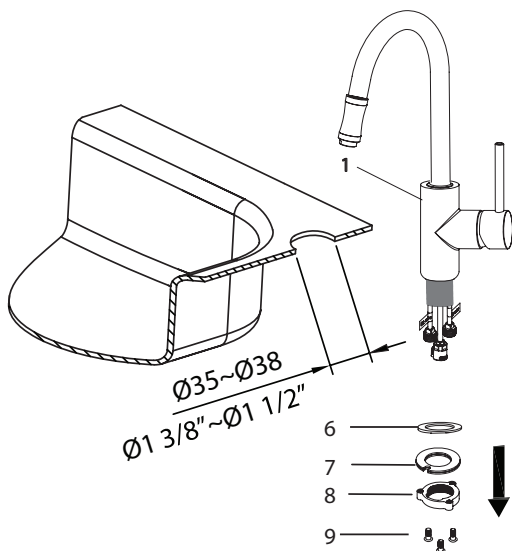
If the distance between the faucet hole and the wall is less than 3.5", position the faucet lever 30 degrees to 90 degrees off the wall to allow for full operation



## Installation Steps

### Step 1

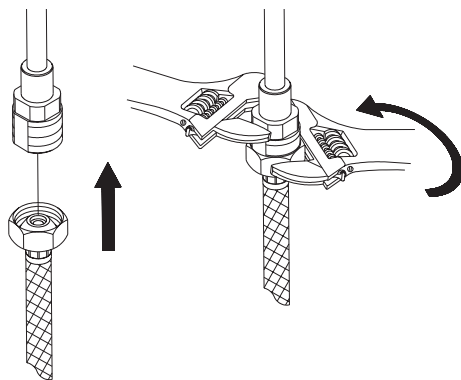
---



Remove mounting screws (9), mounting nut (8), metal washer (7), and rubber washer (6) from the faucet body (1)

### Step 2

---



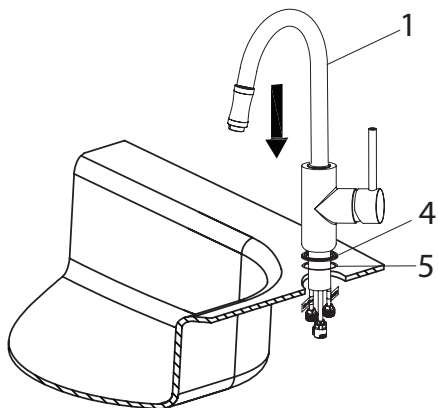
Remove hot & cold waterlines (11) from the package and check if O-rings are installed on both ends of the waterlines. Place the faucet on a soft cloth with the spout facing up and hand-tighten the waterlines on the hot & cold copper inlets (HAND-TIGHT ONLY) (A. Hot side: left B. Cold side: right)

Apply pipe tape on threads of t

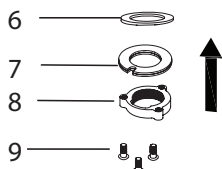


### Step 3

---

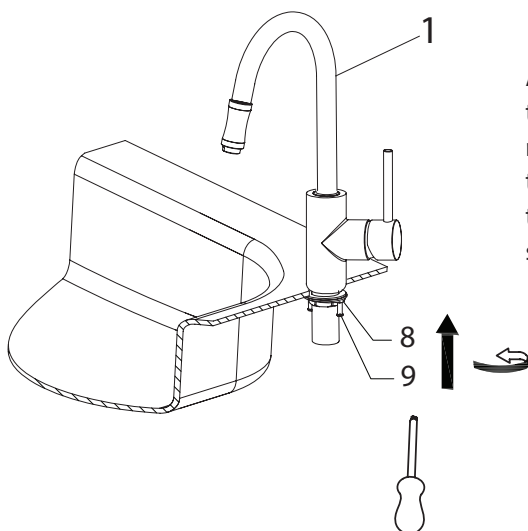


Insert the faucet body (1) into the hole on the deck with the base (4) and base o-ring (5), and then install the rubber washer (6), metal washer (7), mounting nut (8) and mounting screws (9) from underneath the sink



### Step 4

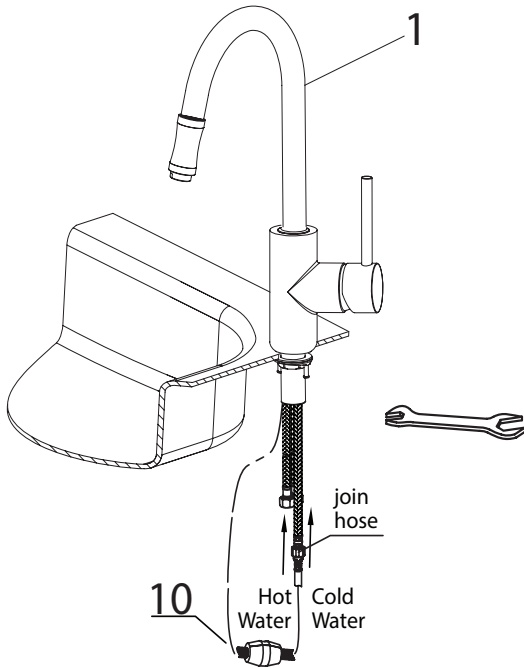
---



After adjusting the direction of the faucet body (1), tighten the mounting nut (8) until snug and tighten the mounting screws (9) to the nut with a Phillips head screwdriver

## Step 5

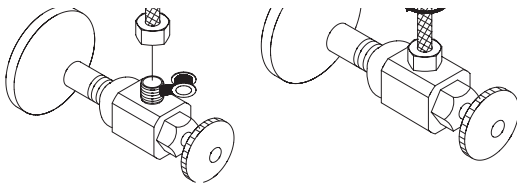
---



Connect the spray hose (12) to the copper supply line and tighten with a wrench until snug, then install the weight (10) at the lowest point (horizontally) on the spray hose (12)

## Step 6

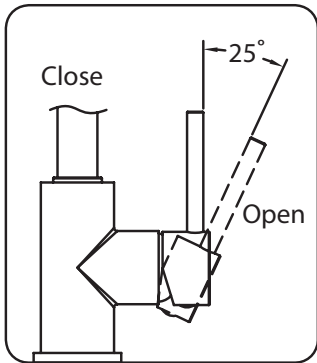
---



Connect hot and cold waterlines (11) to the angle stops and tighten with a wrench until snug, then unscrew aerator and turn on the faucet to flush any debris

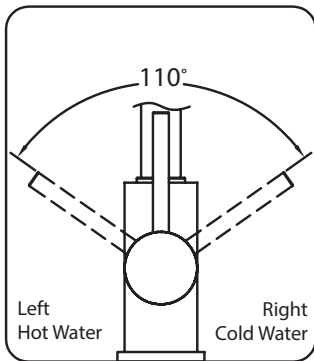
# Usage

## How to Operate the Handle



1. Pull the lever to the right to turn on the water. Push to the left to turn off

2. Pull the lever forward to increase hot water flow and push the lever back to increase the cold water flow



## Care & Maintenance

\*To keep the product clean & shining, follow the steps below:

1. Rinse clean with water & dry with a soft cloth
2. Do not clean with soaps, acid, polish, abrasives, or harsh cleaners
3. Do not use cloth with a coarse surface
4. Unscrew the aerator and clean when necessary



\*This installation manual is subject to change without further notice

## Trouble - Shooting

If you have followed the instructions carefully and your faucet still does not work properly, take the following corrective steps:

PROBLEM	CAUSE	ACTION
Leakage under the handle	Locking nut has come loose	Remove the index button at the bottom of the handle. Loosen set screw with a hex wrench. Remove the handle and unscrew trim cap by hand. Tighten locking nut with an adjustable wrench
Water will not shut off completely	Cartridge may be defective	Remove the index button at the bottom of the handle. Loosen set screw with a hex wrench. Remove the handle and unscrew trim cap by hand. Unscrew the locking nut with an adjustable wrench. Remove ceramic disc cartridge. Check for cracks
Aerator drips or has inconsistent water flow pattern	Aerator is dirty or not seated properly	Unscrew aerator by hand and clean out debris

## **Codes/Standards Applicable:**

Specified model meets or exceeds the following: ANSI/ASME A112.18.1, cUPC, AB1953

## **KRAUS LIMITED LIFETIME WARRANTY**

This product has been manufactured and tested to the highest quality standards by Kraus USA Inc. ("Kraus"). We offer our customers thoughtfully crafted fixtures & accessories, engineered for enduring performance over years of use.

### **WHO IS COVERED BY THE WARRANTY**

This warranty extends to the original purchaser only. This warranty is not transferable, between homes or owners and is only applicable to residential use.

### **WHAT IS COVERED BY THE WARRANTY**

Kraus warrants this product against defects due to material or craftsmanship error during the warranty period: Kraus will provide replacement parts at no charge, or at its option, replace any product or part of the product that is deemed defective, under normal installation, use, service and maintenance. If Kraus is unable to provide a replacement and repair is not practical or cannot be made in timely fashion, Kraus may elect to refund the purchase price in exchange for the return of the product.

### **CONDITIONS AND EXCLUSIONS**

Like other home fixtures, Kraus products will require light maintenance to ensure proper function. We provide you with complete knowledge to perform this maintenance and can also recommend resources if you are unable to fulfill this service.

**A.** Kraus will not be responsible for product failures due to lack of maintenance or proper use. Please read your care and maintenance documentation to determine the limits of proper use.

**B.** The original sales receipt, order number, and/or proof of purchase must be presented at the time of the warranty claim, without exception, for this warranty to be applied to all Kraus products.

C. Kraus recommends installing all Kraus products with a licensed, professional plumber. Kraus will not be held responsible for any damage or product failure due to improper installation, misuse, or failure to use a licensed professional. Please read your care and maintenance documentation to determine the limits of proper use.

D. Commercial use will automatically void this warranty.

E. This warranty is not applicable to Kraus products purchased from an unauthorized seller. For a complete list of authorized sellers please visit <http://www.kraususa.com/where-to-buy.html>

## **NON-APPLICABILITY OF THIS WARRANTY**

By the purchase and use of our products, you agree that Kraus is not liable for incidental, consequential or special damages associated with the return, replacement, installation or use of your product. This includes freight costs, cartridge replacement, labor, travel time, lost profit, home damages and other contingent liabilities and costs (including, without limitation, costs associated with experts, investigations, analyses, attorneys and other professionals and services). The Kraus warranty is a comprehensive and explicit limit of liability, and all items outside of it are not addressable by or the responsibility of Kraus. Certain states have variances regarding implied warranties and in those situations we remain fully compliant.

KRAUS USA Inc. makes no implication that products comply with any or all local building or plumbing codes. It is the consumer's responsibility to determine local code compliance. This warranty extends to the original purchaser and first consumer.

---

## **HELP LINE**

For additional assistance at any point in the installation process, please call us at 1.800.775.0703 or email us at [info@kraususa.com](mailto:info@kraususa.com)

Our customer service hours are Monday – Friday, 9am – 8pm EST.  
Be sure to visit our website at [www.kraususa.com](http://www.kraususa.com).

Kräus<sup>®</sup>

[www.kraususa.com](http://www.kraususa.com)