

The logo for Kraus, featuring the brand name in a white serif font on a black background. The letter 'K' is stylized with a vertical line through it. The 'ä' has two dots above it. A registered trademark symbol (®) is located to the upper right of the 's'.

INSTALLATION MANUAL

KPF-2110

Single Lever Kitchen Faucet
With Pull-Out Sprayer

Congratulations on your new Kraus purchase!

We would like to take this opportunity to thank you for your business with Kraus USA. It is our sincere hope that you are completely satisfied with your Kraus experience. We welcome any questions or comments you may have, and look forward to assisting you in the future.

For more information about Kraus products, please visit our website at:
www.kraususa.com.

In order to allow us to serve you better, we recommend registering your new Kraus product at: **www.kraususa.com/product-registration**

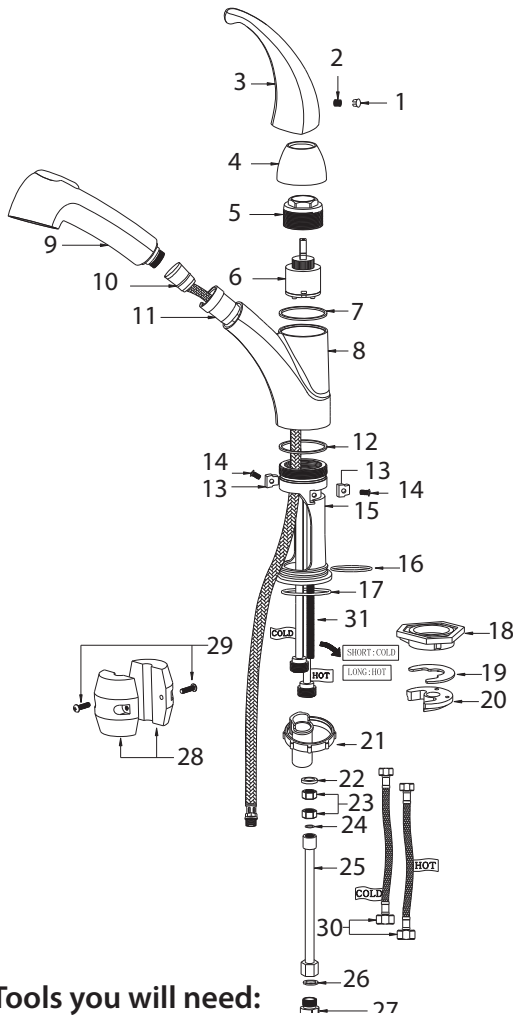
Sincerely,

Kraus Customer Service Department

Prior to Installation

- Make sure that the cold and hot water lines are turned off
- Wrap all threaded connections with Teflon tape. Always wrap in a clockwise direction
- Cover your drain to avoid losing parts
- Do not disassemble the main faucet body, as it has been factory assembled by Kraus for stress-free installation.
- Using condition: Working pressure at 0.05-1.0MPa (including cold & hot water pressure) with applicable water temperature: 4°C-90°C
- Remove the check valve assembly (27) at the end of the hose (10)
- Discard plastic caps from the hot and cold inlets


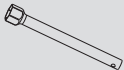

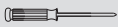


KPF-2110 Diagram and Parts List



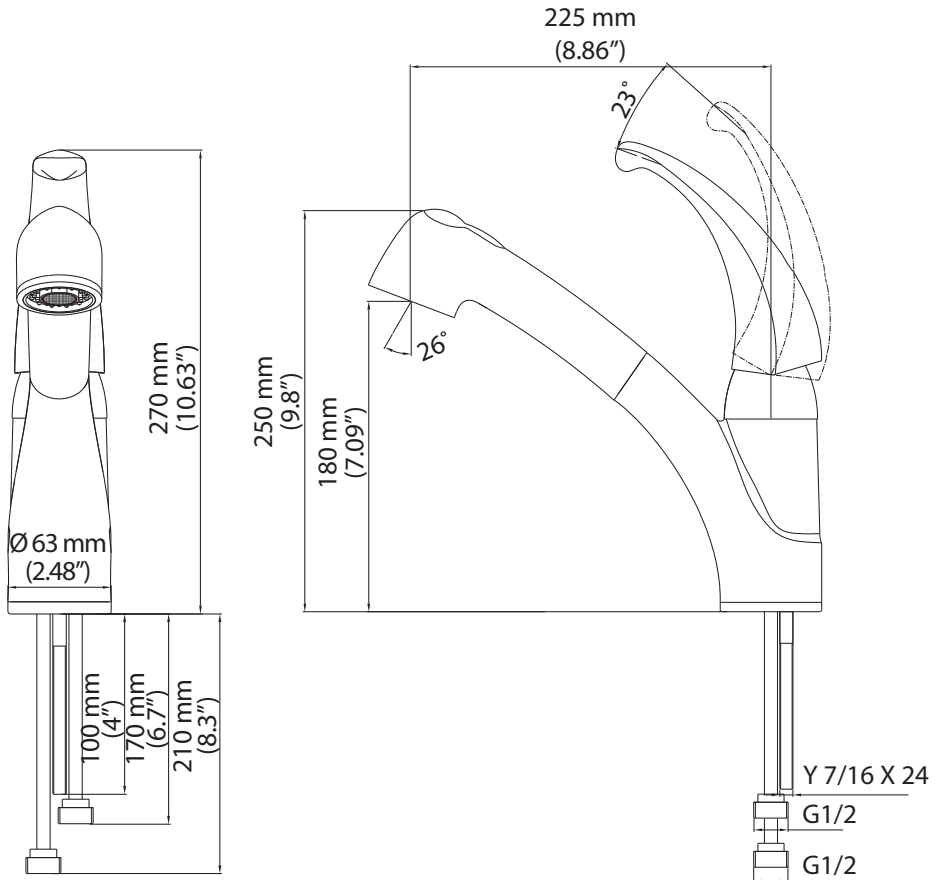
Included Parts:

1. Index Button
2. Set Screw
3. Handle
4. Cartridge Cover
5. Locking Nut
6. Cartridge
7. O-Ring
8. Faucet Body
9. Spray Head
10. Hose
11. Plastic Cover
12. O-Ring
13. Noise Silencer
14. M4 Screw
15. Faucet Body Base
16. O-Ring
17. O-Ring
18. Faucet Extender
19. Rubber U- Washer
20. Metal U-Washer
21. Plastic Base Hose Ring
22. Metal O-Ring
23. A. Mounting Nut
B. Mounting Nut
24. O-Ring
25. Extending Pipe
26. O-Ring
27. Check Valve Assembly
28. Weight
29. Screws (2)
30. Hot & Cold Waterlines (2)
31. Mounting Pipe

Tools you will need:

		
Wrench (Included)	Spanner (Included)	Adjustable Wrench
		
Phillips Screwdriver	Aerator Key	Faucet Extender

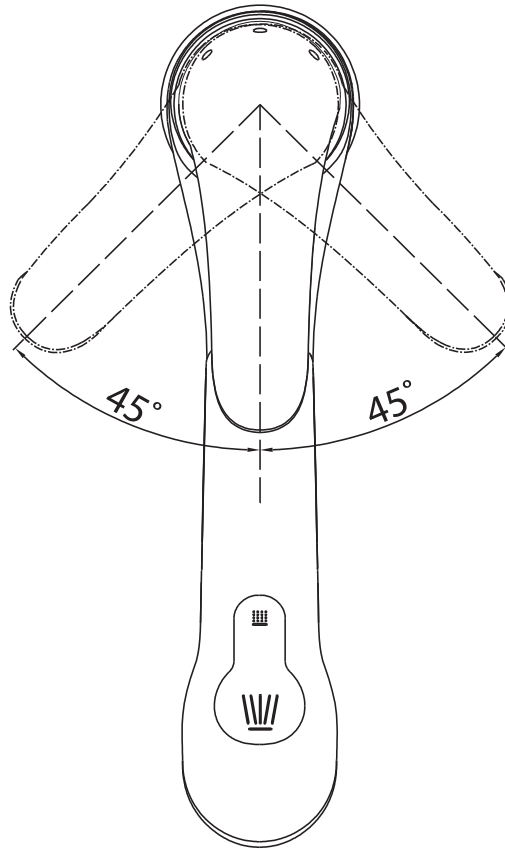
Dimension Drawings



Safety Tips

- If soldering the water connections when installing the faucet, remove the O-rings, cartridges, and washers before applying any heat
- Protect your eyes with safety glasses when cutting or soldering

Dimension Drawings

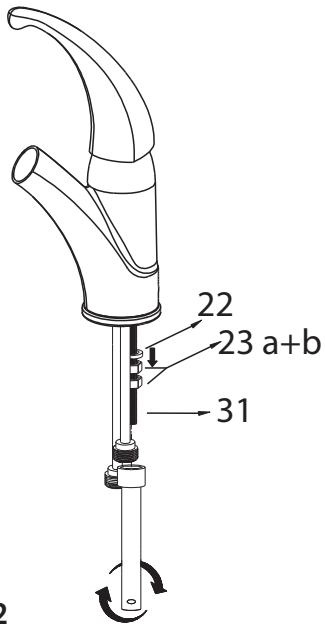


Safety Tips

- Do not overtighten fixing screws/nuts. Tighten finger-tight, then use a wrench/screwdriver to tighten the fixing screw/nut until snug

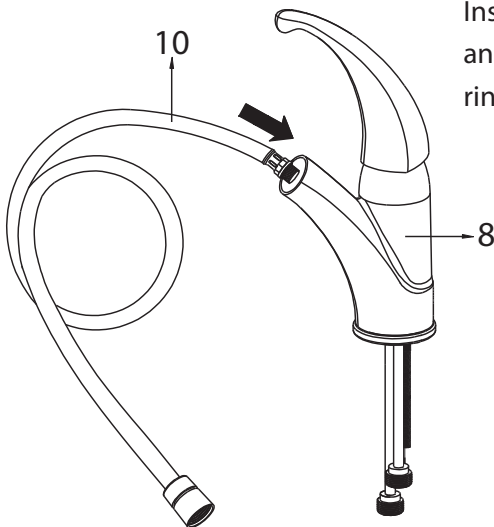
Faucet Installation Procedures

Step 1



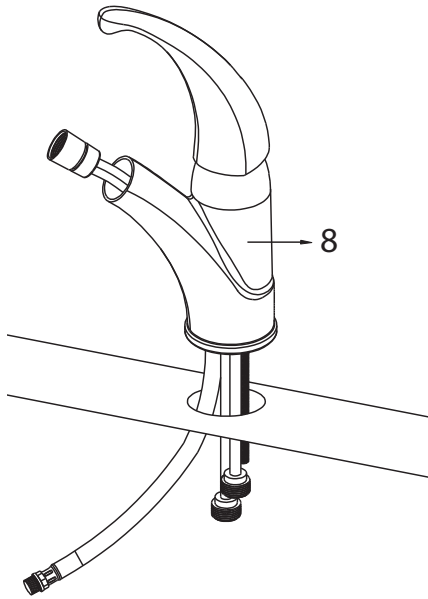
Remove the metal o-ring (22) and metal nuts (23a and 23b) from the end of the mounting pipe (31)

Step 2

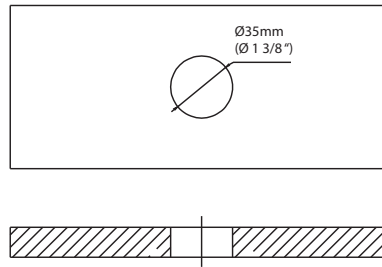


Insert hose (10) into faucet body (8) and through the plastic base hose ring (21)

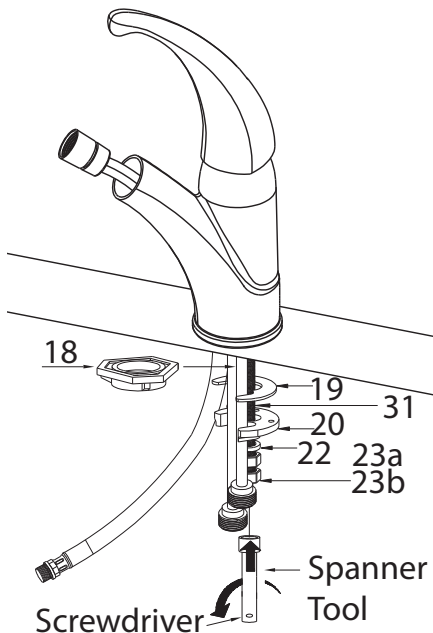
Step 3



Insert faucet body (8) on the pre-drilled hole 1-3/8".



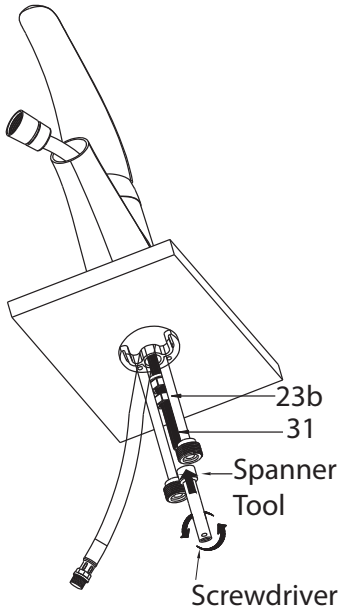
Step 4



Install the faucet extender (18), rubber u-washer (19), and metal u-washer (20) on the mounting pipe (31) until it touches the base of the countertop. Place metal o-ring (22) and thread metal nut (23a) onto the mounting pipe (31) and tighten with the provided spanner until snug.

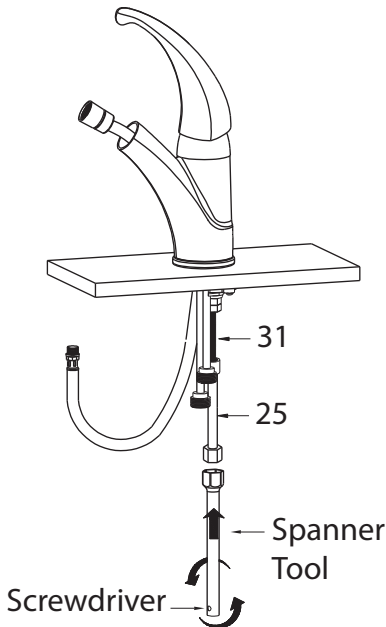
Installer Tip: Screwdriver can be placed through the opening of the spanner for additional leverage

Step 5



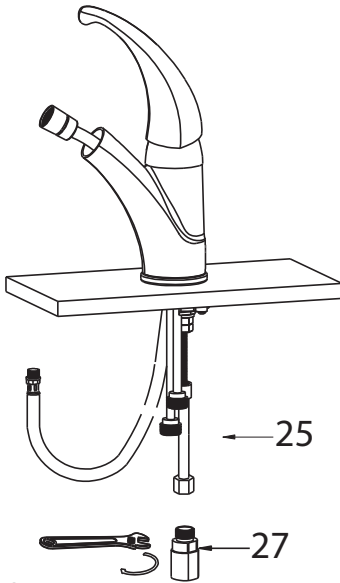
Place metal nut (23b) on the mounting pipe (31) and tighten with the provided spanner until snug underneath the countertop

Step 6



Secure on extending pipe (25) on the mounting pipe (31) and tighten with the provided spanner until snug

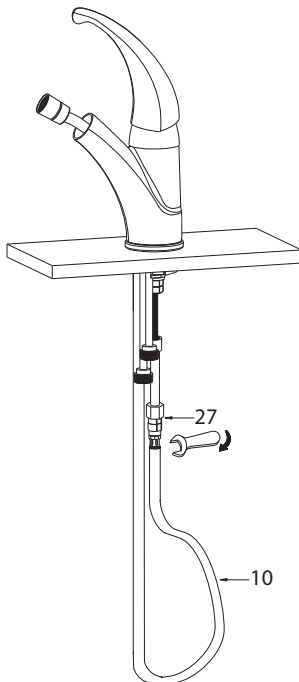
Step 7



Secure the check valve assembly (27) onto the extending pipe (25). Tighten with an adjustable wrench until snug

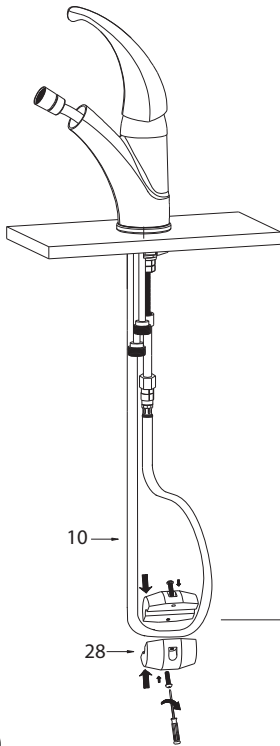
Note: Check if O-rings are installed in the check valve assembly (27) before installing hose (10)

Step 8

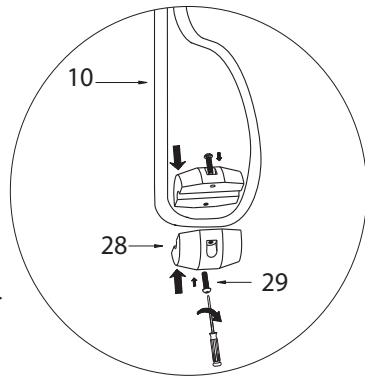


Secure the end of the hose (10) onto the check valve assembly (27) and tighten with an adjustable wrench until snug

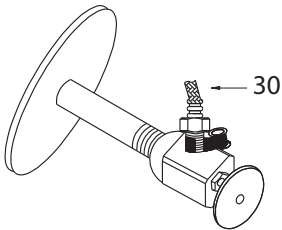
Step 9



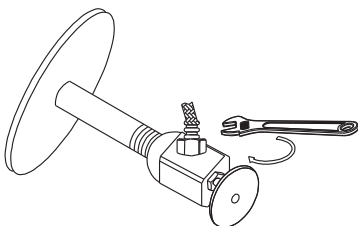
Install the weight (28) at the lowest point (horizontally) on the hose (10) and tighten the screws (29) with a Phillips head screwdriver



Step 10

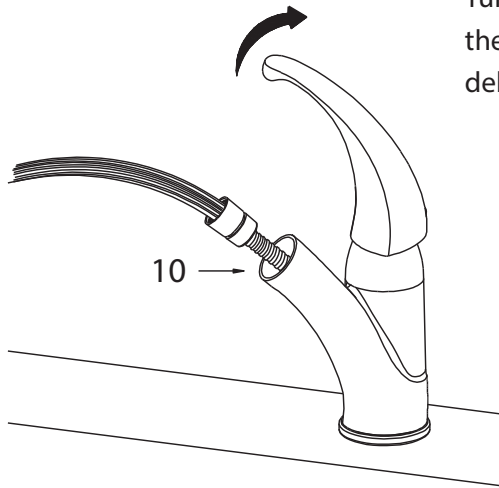


Connect hot & cold waterlines (30) to the faucet (hot: long & cold: short), and install them on the angle stops. Tighten with an adjustable wrench until snug



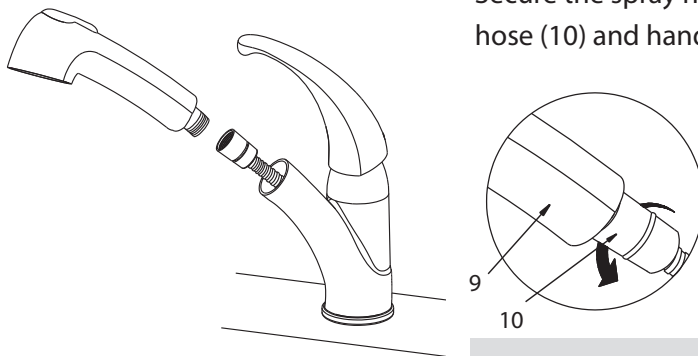
Note: Check if O-rings are installed on both ends of the hot & cold waterlines (30)

Step 11



Turn the faucet on while holding the tip of the hose (10) to flush any debris

Step 12



Secure the spray head (9) onto the hose (10) and hand-tighten only

Note: Check if O-ring is visible in the hose (10) prior to reinstalling the spray head (9)

Care & Maintenance

*To keep the product clean & shining, follow the steps below:

1. Rinse with clean water & dry with a soft cloth
2. Do not clean with soaps, acid, polish, abrasives, or harsh cleaners
3. Do not use a cloth with a coarse surface
4. Unscrew the aerator and clean when necessary

*This installation manual is subject to change without further notice.



Trouble - Shooting

If you have followed the instructions carefully and your faucet still does not work properly, take the following corrective steps:

PROBLEM	CAUSE	ACTION
Leakage under the handle	Locking nut has come loose	Loosen the set screw with a hex wrench located at the base of the handle. Remove the handle and unscrew cartridge holder by hand. Tighten locking nut with an adjustable wrench or shower wrench (if applicable).
Water will not shut off completely	Cartridge may need to be adjusted or replaced	Loosen the set screw with a hex wrench located at the base of the handle. Remove the handle and unscrew cartridge cover by hand. Unscrew the locking nut with an adjustable wrench or shower wrench (if applicable). Remove ceramic disc cartridge. Check for cracks
Leaking between spray head and the hose	Spray head may be loose or washer is not seated correctly in the hose connection	Tighten the spray head by hand until snug. Make sure the washer is seated correctly
Low/No pressure	Check valve assembly may be clogged with debris or washers are not seated correctly	Remove check valve assembly and soak it in warm soapy water to remove any debris for 5 minutes. Make sure the washers are seated correctly

Codes/Standards Applicable:

Specified model meets or exceeds the following: ANSI/ASME A112.18.1, cUPC, AB1953

KRAUS LIMITED LIFETIME WARRANTY

This product has been manufactured and tested to the highest quality standards by Kraus USA Inc. ("Kraus"). We offer our customers thoughtfully crafted fixtures & accessories, engineered for enduring performance over years of use.

WHO IS COVERED BY THE WARRANTY

This warranty extends to the original purchaser only. This warranty is not transferable, between homes or owners and is only applicable to residential use.

WHAT IS COVERED BY THE WARRANTY

Kraus warrants this product against defects due to material or craftsmanship error during the warranty period: Kraus will provide replacement parts at no charge, or at its option, replace any product or part of the product that is deemed defective, under normal installation, use, service and maintenance. If Kraus is unable to provide a replacement and repair is not practical or cannot be made in timely fashion, Kraus may elect to refund the purchase price in exchange for the return of the product.

CONDITIONS AND EXCLUSIONS

Like other home fixtures, Kraus products will require light maintenance to ensure proper function. We provide you with complete knowledge to perform this maintenance and can also recommend resources if you are unable to fulfill this service.

A. Kraus will not be responsible for product failures due to lack of maintenance or proper use. Please read your care and maintenance documentation to determine the limits of proper use.

B. The original sales receipt, order number, and/or proof of purchase must be presented at the time of the warranty claim, without exception, for this warranty to be applied to all Kraus products.

C. Kraus recommends installing all Kraus products with a licensed, professional plumber. Kraus will not be held responsible for any damage or product failure due to improper installation, misuse, or failure to use a licensed professional. Please read your care and maintenance documentation to determine the limits of proper use.

D. Commercial use will automatically void this warranty.

E. This warranty is not applicable to Kraus products purchased from an unauthorized seller. For a complete list of authorized sellers please visit <http://www.kraususa.com/where-to-buy.html>

NON-APPLICABILITY OF THIS WARRANTY

By the purchase and use of our products, you agree that Kraus is not liable for incidental, consequential or special damages associated with the return, replacement, installation or use of your product. This includes freight costs, cartridge replacement, labor, travel time, lost profit, home damages and other contingent liabilities and costs (including, without limitation, costs associated with experts, investigations, analyses, attorneys and other professionals and services). The Kraus warranty is a comprehensive and explicit limit of liability, and all items outside of it are not addressable by or the responsibility of Kraus. Certain states have variances regarding implied warranties and in those situations we remain fully compliant.

KRAUS USA Inc. makes no implication that products comply with any or all local building or plumbing codes. It is the consumer's responsibility to determine local code compliance. This warranty extends to the original purchaser and first consumer.

HELP LINE

For additional assistance at any point in the installation process, please call us at 1.800.775.0703 or email us at info@kraususa.com

Our customer service hours are Monday – Friday, 9am – 8pm EST.
Be sure to visit our website at www.kraususa.com.

Kräus®

www.kraususa.com