

Kwikset SMART CODE™

Signature Series



▪ BACK-LIT KEYPAD FOR INCREASED VISIBILITY

▪ COMPLEMENTS ANY KWIKSET KNOB, LEVER OR HANDLESET.

NO MORE WORRYING ABOUT KEYS!

- **Keyless entry deadbolt** - the ultimate in convenience & security
- **One touch locking** with a motorized deadbolt
- **Two customizable access codes** - one code for the family, one code for temporary access
- **Includes SmartKey™** for increased peace of mind

EASY TO INSTALL, PROGRAM AND USE.

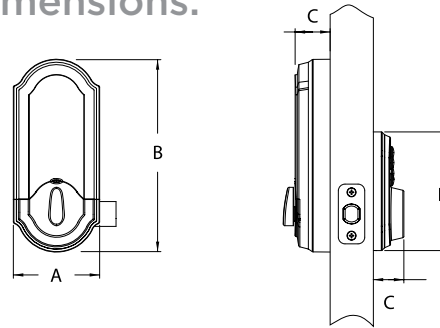
- **Installs in minutes** with just a screwdriver - no hard wiring required
- 4 AA batteries (not included)
- **Fits standard doors** (1 3/8" - 2") - no new screw holes required
- **Quick Reference Guide** located under the interior cover

SmartCode™ Signature Series Touchpad Electronic Deadbolt

Specifications:

Function	Single cylinder deadbolt
Door Prep	2 1/8" diameter face hole & 1" diameter latch hole
Backset	Adjustable 2 3/8" or 2 3/4"
Door Thickness	1 3/8" - 2" automatic adjustment
Cylinder	SmartKey
Faceplates	1" x 2 1/4" round corner standard
Strikes	Round corner strike 2 3/4" x 2 1/8"
Latch	Round corner adjustable 2 3/8" x 2 3/4"
Bolt	1" throw, steel deadbolt
Door Handing	Reversible

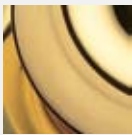
Dimensions:



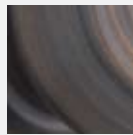
Design	A	B	C
SmartCode™ Outer Trim		4 7/16"	1 5/32"
SmartCode™ Inner Trim	3 1/4"	7 3/16"	1 5/16"



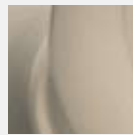
Finishes:



LO3
Polished
Brass



11P
Venetian
Bronze



15
Satin
Nickel



Kwikset
The Beauty of Strength.

19701 DaVinci • Lake Forest, CA 92610
www.kwikset.com • 1-800-327-LOCK