

INSTALLATION INSTRUCTION FOR 5421-PL

WARNING! SHUT POWER OFF AT FUSE OR CIRCUIT BREAKER .
AVERTISSEMENT! COUPER LE COURANT AU NIVEAU DES FUSIBLES OU DU DISJONCTEUR.

READ AND SAVE THESE INSTRUCTIONS

PREPARATION

1. Shut off the power at the fuse box or circuit breaker box. If necessary, Remove old fixture and all mounting hardware from wall junction box.
2. Carefully unpack your new fixture and lay out all the parts on a clear area. Take care not to lose any small parts necessary for installation.

MOUNTING THE FIXTURE (FIG.1)

3. The circular strap (A) contains several pairs of threaded holes. Find the pair of holes that match the holes spacing in your fixture canopy (D) and thread the two mounting screws (B) part way into the circular strap (B). Secure circular strap (B) to outlet box (not provided) with outlet box screws (C) through slotted holes in circular strap.

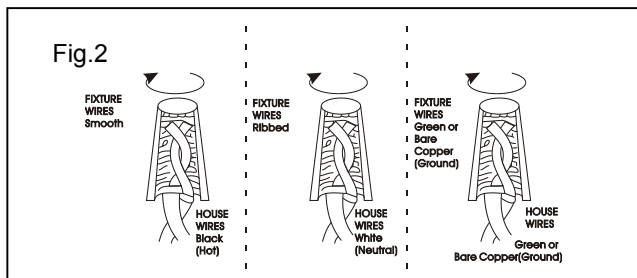
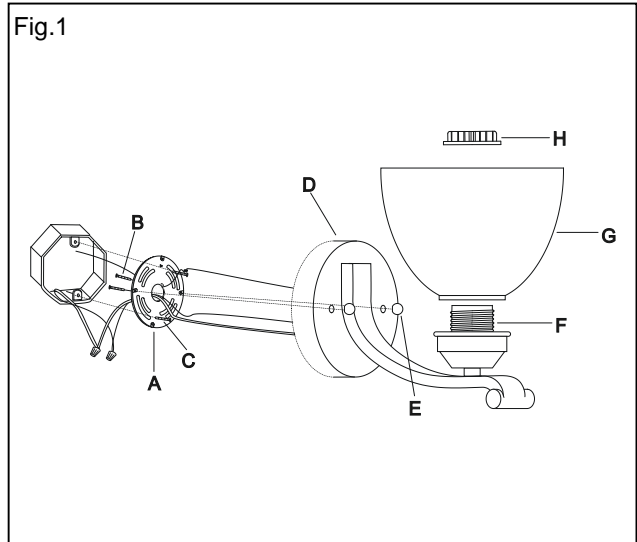
CONNECTING THE WIRES (Fig. 2)

4. Connect the fixture wires to the junction box wires as shown in Fig. 2. Make sure all wire connectors are secure and do not easily pull off with a slight tug. If there is no green ground wire from the junction box, connect the fixture ground wire to the circular strap or the crossbar with the green screw provided.
5. Tuck these wire connections neatly into the wall junction box.
6. Raise the canopy (D) allowing for the mounting screws (B) to protrude through the holes on canopy (D), and then secure with finials (E).

COMPLETING THE INSTALLATION

7. Place the glass (G) over the socket (F) and secure with the retaining ring (H).
8. Install the proper light bulbs for your fixture
(DO NOT EXCEED THE MAXIMUM WATTAGE RATING!) (NE PAS DEPASSER LA PUISSANCE NOMINALE MAXIMALE!)
9. The ballasts in each of these models can be replaced by a qualified electrician without cutting of wires and without damage to the housing, trim, decorative elements or carpentry to which the fixture is attached. See installation steps for more detail.
10. The ballast and lamp are combined, to replace or install, twist pins into socket as shown on Fig.3.
11. The color correlated Temperature (CCT) for Replacing the enclosed lamp is (2700K).

Return the power to the junction box and test the fixture.
Your installation is now complete.



Limited 3 Year Warranty

This fixture is covered by a limited 3 year warranty from the Manufacturer, effective from the date of purchase. This fixture is warranted against defects in the quality of the housing, trims, diffuser, shades, and electrical components. Fixture finishes and/or lamps (bulbs) are expressly excluded from this warranty; refer to the bulb manufacturer for lamp warranty.

Contains Mercury (Hg) Dispose of according to Local, State and Federal Law. (www.epa.gov/bulbrecycling)

