

INSTALLATION INSTRUCTIONS

NEW 04/04/2006

WARNING! SHUT POWER OFF AT FUSE OR CIRCUIT BREAKER.

MOUNTING THE FIXTURE (Fig.1)

1. Shut off power at the circuit breaker and remove old fixture from ceiling, including the crossbar.
2. Carefully unpack your new fixture and lay out all the parts on a clear area. Take care not to lose any small parts necessary for installation.
3. Thread the two Mounting Screws (C) about 1/4" into the pre-drilled holes in the Crossbar (A) spaced the same distance apart as the holes in the Ceiling Pan (D).
4. Attach the Crossbar (A) to the Outlet Box using the two Screws (B) from the outlet box. The side of the Crossbar marked "GND" must face out.

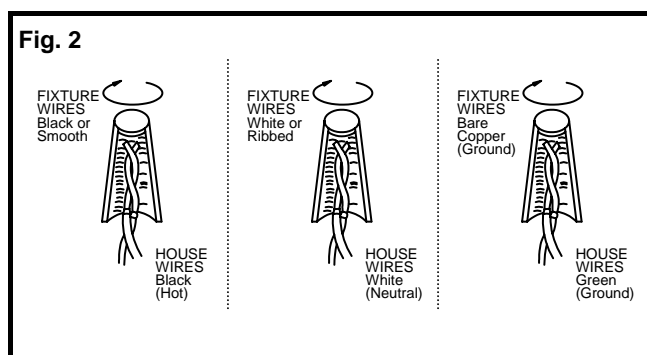
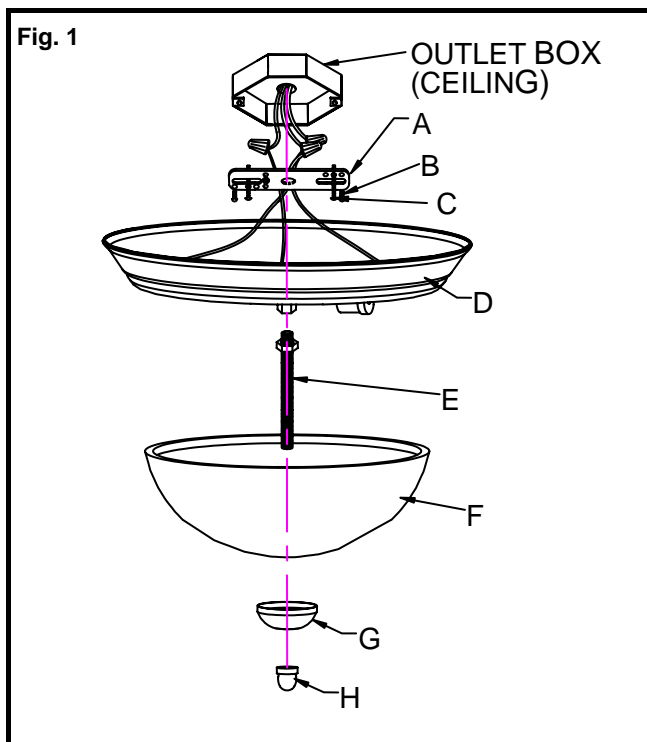
CONNECTING THE WIRES (Fig.2)

5. While holding the Fixture Body towards the ceiling, connect the electrical wires as shown in Fig.2, making sure that all wire connectors are secured. If your outlet has a ground wire (green or bare copper), connect the fixture's Ground Wire to it. Otherwise, connect the fixture's Ground Wire directly to the Crossbar using the Green Screw provided. After wires are connected, tuck them carefully into the ceiling Junction Box.

FINISHING THE INSTALLATION (Fig. 1)

6. Finish mounting the Ceiling Pan assembly by placing it over both Mounting Screws (C) so they poke through the "keyholes" in the bottom of the pan. Rotate the Pan until the screws are in the slots of the "keyholes" and tighten with a screwdriver.
7. Install the light bulbs in accordance with fixtures specifications. **(CAUTION: Do not exceed the maximum wattage rating!)**
8. Secure the Nipple (E) on the bottom end of the Ceiling Pan (D). Slide the Shade (F) and Bottom Cap (G) over the Nipple (E) and secure with the Finial (H).

Your installation is now complete. Return power to the junction box and test the fixture.



Note: Illustration (Fig. 1) on this manual is for installation purposes only. It may or may not be identical to the fixture purchased.