

INSTALLATION INSTRUCTION FOR 1810

For Wall Mount Light Fixtures

WARNING! SHUT POWER OFF AT FUSE OR CIRCUIT BREAKER .
AVERTISSEMENT! COUPER LE COURANT AU NIVEAU DES FUSIBLES OU DU DISJONCTEUR.

PREPARATION

1. Shut off the power at the fuse box or circuit breaker box. If necessary. Remove old fixture and all mounting hardware from wall junction box.
2. Carefully unpack your new fixture and lay out all the parts on a clear area. Take care not to lose any small parts necessary for installation.

MOUNTING THE FIXTURE (Fig.1)

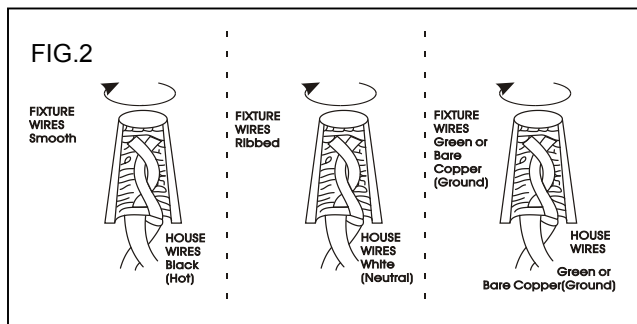
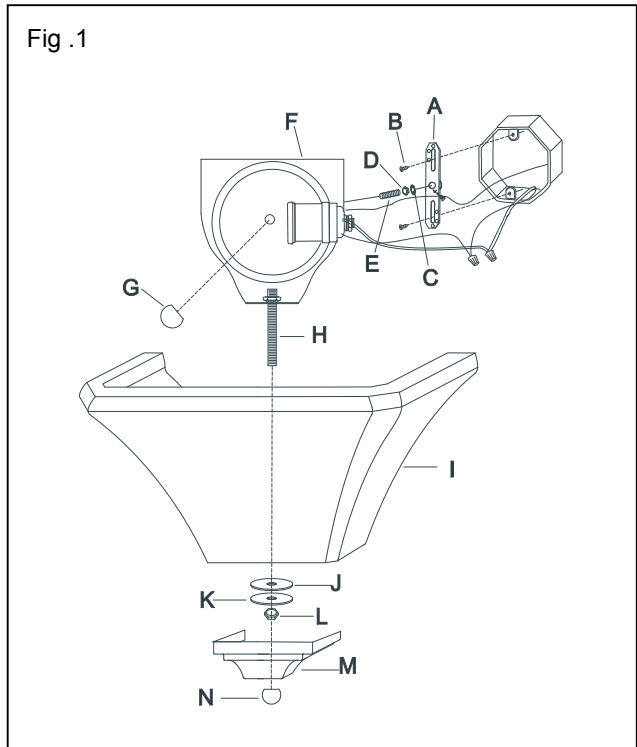
3. Secure mounting bar (A) to junction box with junction box screws (B).
4. Thread hex nut (D) onto nipple (E) so that five threads are exposed above nut (D). Insert lock washer (C) and thread the nipple (E) into mounting bar (A), then secure with the nut (D).

CONNECTING THE WIRES (Fig.2)

5. Connect the fixture wires to the junction box wires as shown in Fig. 2. Make sure all wire connectors are secure and do not easily pull off with a slight tug. If there is no green ground wire from the junction box, connect the fixture ground wire to the circular strap or the mounting with the green screw provided.
6. Tuck these wire connections neatly into the wall junction box.

COMPLETING THE INSTALLATION

7. Raise the mounting base (F) allowing for the nipple (E) to protrude through the hole on the mounting base (F) then secure with the finial (G).
8. Install the proper light bulb for your fixture.
(DO NOT EXCEED THE SPECIFIED WATTAGE!) (NE PAS DEPASSER LA PUISSANCE NOMINALE MAXIMALE!)
9. Slide the glass (I), plastic washer (J), iron washer (K) onto the nipple (H), and secure with screw (L).
10. Raise the cap (M) allowing for the cap (M) to protrude through the nipple (H), then secure with the finial (N).



Return the power to the junction box and test the fixture. Your installation is now complete.

