

INSTALLATION INSTRUCTIONS

Item#5841 (Rev. 02/27/2012)

READ AND SAVE THESE INSTRUCTIONS

WARNING! SHUT POWER OFF AT FUSE OR CIRCUIT BREAKER.

AVERTISSEMENT! COUPER LE COURANT AU NIVEAU DES FUSIBLES OU DU DISJONCTEUR.

MOUNTING THE FIXTURE (Fig. 1)

1. Shut off power at the circuit breaker and remove old fixture, including the mounting hardware.
2. Carefully unpack your new fixture and lay out all the parts on a clear area. Take care not to lose any small parts necessary for installation.
3. Attach the Circular Strap (A) to the Junction Box with the two Junction box Screws (B) (Size: #8-32N*L0.5") as shown. The side of the Circular Strap marked "GND" must face out.
4. Thread the Studs (D) into the pre-drilled holes of the Circular Strap (A) space the same distance apart as the hole in the fixture canopy.

CONNECTING THE WIRES (Fig. 2)

5. Connect the fixture wires to the junction box wires as shown in Fig. 2. Making sure all wire connectors are secured and do not easily pull off with a slight tug. If there is no Green Ground wire from the junction box, connect the Fixture Ground Wire to the Circular Strap with the green Screw provided.

COMPLETING THE INSTALLATION (Fig. 1)

6. Place Fixture Body (C) onto Studs (D) and secure with Knurled Knobs (E).
7. Place the Glass Shade (F) over the socket, fasten with Socket Ring (G).
8. Install the light bulb (not included) in accordance with the fixture's specifications. **(DO NOT EXCEED THE MAXIMUM WATTAGE RATING!) (NE PAS DEPASSER LA PUISSANCE NOMINALE MAXIMALE!).**

Your installation is now complete. Return power to the outlet box and test the fixture.

Note: Illustration (Fig. 1) on this manual is for installation purposes only. It may or may not be identical to the fixture purchased.

Fig. 1

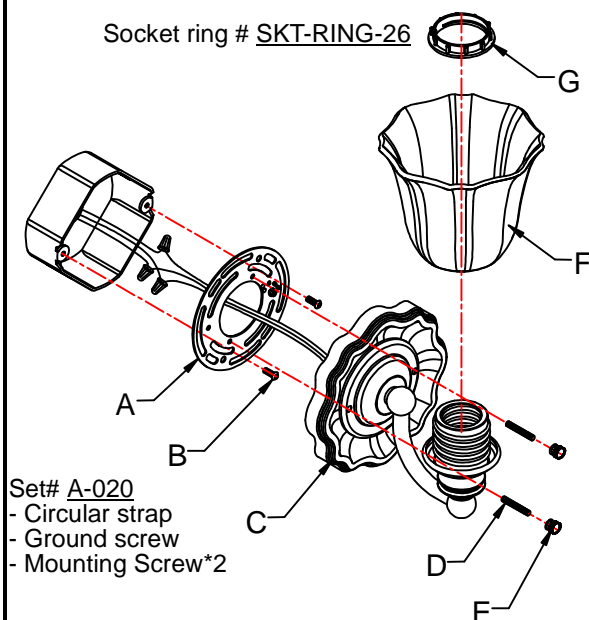


Fig. 2

