



Congratulations on your purchase of a **Minka-Aire™** ceiling fan! Your new fan will be a beautiful addition to you home, and will keep you comfortable throughout the year. **Minka-Aire™** offers a variety of ceiling fans: combinations of wood and brass finish, solid designer colors, and unique glass and crystal designs. A large selection of light fixtures and light kits are also available. Ask your dealer about accessories that will allow your to customize your fan.

We're certain that your **Minka-Aire™** fan will provide you with many years of comfort, energy savings and satisfaction. To ensure your personal safety and to maximize the performance of your fan, please read this manual thoroughly.

## LIMITED 30 YEAR WARRANTY

**Minka-Aire™** warrants this fan to be free from defects in material and workmanship for one year from the date of purchase, except for the motor. **Minka-Aire™** warrants to the original owner that the motor in this fan shall be free from defects in material and workmanship for 30 years from the date of purchase. **Minka-Aire™** only obligation under this limited warranty is to replace, repair or refund the purchase price for any fan confirmed by **Minka-Aire™** ro be defective in material or workmanship after such fan is returned to **Minka-Aire™** by the original purchaser along with a proof of purchase and with shipping charges prepaid. This warranty shall not apply to fans which have been damaged as a result of improper installation, removed from the original installation or subjected to use for which the fan was not designed. The customer shall be responsible for any cost of removing the old fan, installing a new fan or any other costs.

This limited 30 year warranty is in lieu of all other expressed warranties. **Minka-Aire™** shall under no circumstances be liable for any incidental or consequential damages.

Date Purchase \_\_\_\_\_

Store Purchase \_\_\_\_\_

Model Number \_\_\_\_\_ F581 \_\_\_\_\_

Serial Number \_\_\_\_\_

# CONTENTS

SAFETY RULES.....	1
PACKAGE CONTENTS.....	2
INSTALLING THE FAN.....	3
HANGING THE FAN.....	4
ELECTRICAL CONNECTIONS.....	5
INSTALLING THE WALL TRANSMITTER.....	6
FINISHING THE INSTALLATION.....	7
BLADE INSTALLATION.....	8
INSTALLING THE LIGHT BULB AND LIGHT CAP.....	9
OPERATING THE WALL TRANSMITTER.....	10
CARE OF YOUR FAN.....	11
TROUBLESHOOTING.....	12
SPECIFICATIONS.....	13

**minkaAire™**

1151 W. Bradford Court, Corona, CA 92882  
©and Patents 2004, All Rights Reserved



# 1. SAFETY RULES

1. Before you begin installing the fan, **shut power off** at the circuit breaker of the fuse box.

2. Be cautious! Read all instructions and safety information before installing your new fan. Review accompanying assembly diagrams.

3. Make sure that all electrical connections comply with local codes, ordinances, or National Electrical Codes. Hire a qualified electrician or consult a do-it-yourself wiring handbook if you are unfamiliar with installing electrical wiring.

4. Make sure the installation site you choose allows the fan blades to rotate without any obstructions. Allow a minimum clearance of 7 feet from the floor and 18 inches from the tip of the blades to the wall.

5. If you are mounting the fan to a ceiling fan outlet box, use a U.L. Listed metal octagonal outlet box marked "Acceptable for Fan Support". Secure the box directly to the building structure. The outlet box and its support must be able to support the moving weight of the fan (at least 50 pounds) **Do not use a plastic box.**

6. **Caution:** To reduce the risk of injury use only the screws provided with the outlet box in conjunction with the lock washers provided with the fan.

7. If you are mounting the fan to a joist, make sure it is able to support the moving weight of the fan (at least 50 pounds).

8. After you install the fan, make sure that all mounting components are secured to prevent the fan from falling.

9. Do not insert anything into the fan blades while the fan is operating.

10. Turn the fan off and wait for the blades to stop completely before changing the fan direction.

**NOTE:** The important safeguards and instructions appearing in this manual are not meant to cover all possible conditions and situations that may occur. It must be understood that common sense, caution and care are factors which can not be built into this product. These factors must be supplied by the person (s) installing, caring for and operating the unit.

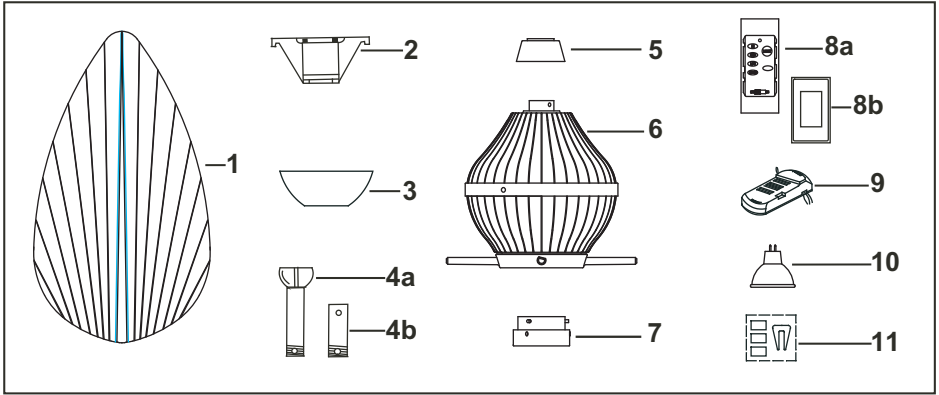
## WARNING

TO REDUCE THE RISK OF FIRE, ELECTRIC SHOCK OR OTHER PERSONAL INJURY, MOUNT FAN ONLY TO A U.L. LISTED OUTLET BOX OR SUPPORTING SYSTEM MARKED ACCEPTABLE FOR FAN SUPPORT AND USE MOUNTING SCREWS PROVIDED WITH THE OUTLET BOX IN CONJUNCTION WITH THE LOCK WASHERS PROVIDED WITH THE FAN. MOST OUTLET BOXES COMMONLY USED FOR FAN SUPPORT OF LIGHTING FIXTURES ARE NOT ACCEPTABLE FOR FAN SUPPORT AND NEED TO BE REPLACED. CONSULT A QUALIFIED ELECTRICIAN IF IN DOUBT.

TO REDUCE THE RISK OF PERSONAL INJURY, DO NOT BEND THE BLADE HOLDERS WHILE INSTALLING, BALANCING THE BLADES OR CLEANING THE FAN. DO NOT INSERT FOREIGN OBJECTS BETWEEN ROTATING FAN BLADES.

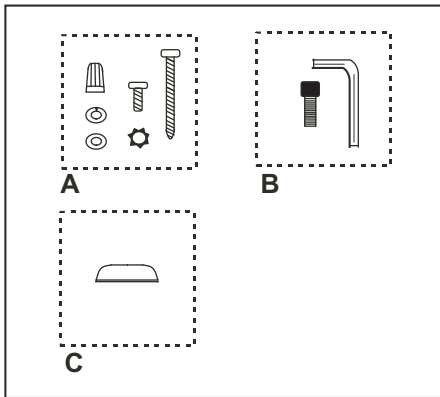
TO REDUCE THE RISK OF FIRE OR ELECTRIC SHOCK, DO NOT USE THIS WITH ANY SOLID-STATE SPEED CONTROL DEVICE.

# PACKAGE CONTENTS 2.



Unpack your fan and check the contents. You should have the following items:

1. Fan blades (4)
2. Hanger bracket
3. Canopy
- 4a. Standard downrod assembly
- 4b. Minimum-length downrod (for close to ceiling mounting only)
5. Coupling cover
6. Fan motor assembly
7. Light cap
- 8a. Wall Transmitter Incl. 2 mounting screws and 3 wire nuts
- 8b. Wall plate w/2 mounting screws
9. Receiver with 7 wire nuts
10. 50W MR16 2-pin base halogen bulb
11. Balancing kit



## A. Mounting Hardware:

- #10 X 1.5" Wood Screws (2 PCs.)
- #8-32 X 3/4" Machine screws (2PCs.)
- Lock washers (2 PCs.)
- 4mm Star washers (2 PCs.)
- Wire nuts (3 PCs.)
- Washers (2PCs.)

## B. Blade Attachment Hardware:

- 4 mm Allen wrench
- 3/16" Allen screws (8PCs.)

## C. Downrod Rubber Cover

# 3. INSTALLING THE FAN

Tools Required: Phillips screw driver; slotted screw driver; step-ladder; wire cutters; electrical tape.

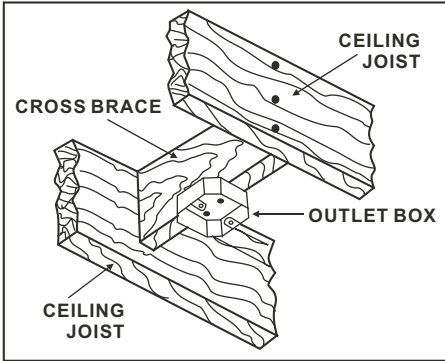


FIG. 1

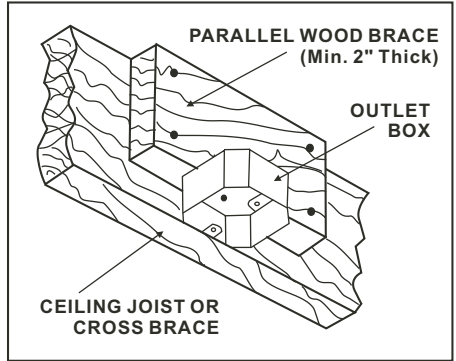


FIG. 2

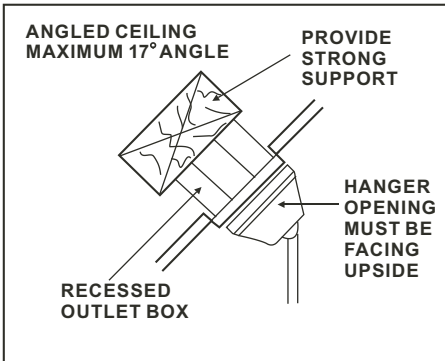


FIG. 3

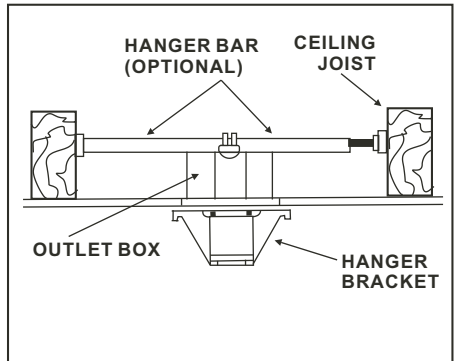


FIG. 4

## MOUNTING OPTIONS

If there isn't an existing mounting box, then read the following instructions.

**Disconnect the power by removing fuses or turning off circuit breakers.**

Secure the outlet box directly to the building structure. Use appropriate fasteners and building materials. The outlet box and its support must be able to fully support the moving weight of the fan (at least 50 lbs.). **Use a UL Listed metal outlet box. Do not use a plastic outlet box.**

Figure 1, 2 and 3 are examples of different ways to mount the outlet box.

**Note:** You may need a longer downrod to maintain proper blade clearance when installing on a steep, sloped ceiling. Longer downrods are available from your **Minka-Aire™** dealer.

To hang your fan where there is an existing fixture but no ceiling joist, you may need to install a hanger bar as shown in Fig. 4 (available at your **Minka-Aire™** dealer).

# HANGING THE FAN 4.

**REMEMBER to turn off the power.** Follow the steps below to hang your fan properly:

**Step 1.** Secure the hanger bracket to the ceiling outlet box using screws included with your outlet box, lock washers included with the fan. (Fig.5)

**Step 2.** Loosen the two set screws and remove the hitch pin and lock pin in the top coupling of the motor assembly. (Fig.6)

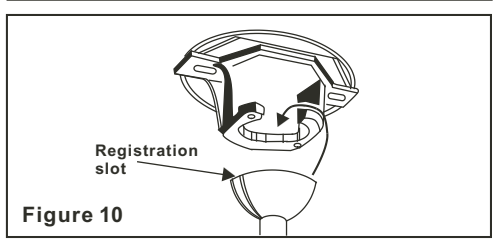
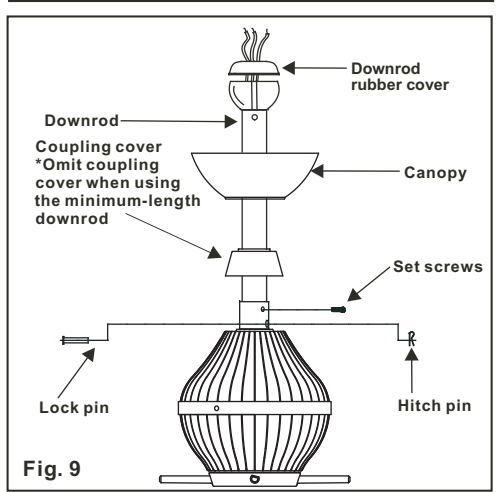
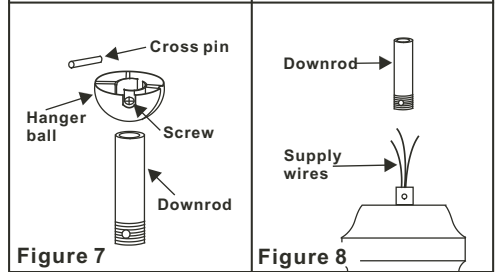
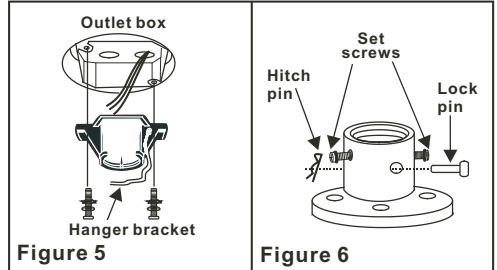
**Step 3.** Remove hanger ball from downrod assembly by loosening set screw, removing the cross pin, and sliding ball off rod. (Fig.7)

**Step 4.** Carefully feed fan wires up through the downrod. (Fig. 8) Thread Downrod into the Coupling until the holes are lined up and secure with the Lock Pin and Hitch Pin previously removed, tighten Set Screws. (Fig. 9)

**Step 5.** Slip coupling cover and canopy onto downrod. (Fig. 9) Carefully reinstall hanger ball onto rod being sure that cross pin is in correct position, set screws are tight and wires are not twisted.

**Step 6.** Place downrod rubber cover onto the hanger ball, then re-install the hanger ball onto the downrod making sure the crosspin is in correct position, set screw is tight and wires are not twisted. (Fig. 9)

**Step 7.** Lift the Motor Assembly and place the Hanger Ball into the Hanger Bracket. Rotate the Motor Assembly as needed until the check groove from the Hanger Ball rests firmly over the registration tab from the Hanger Bracket. Motor Assembly should not rotate if this is done correctly. (Fig. 10)



# 5. ELECTRICAL CONNECTIONS

**WARNING:** To avoid possible electrical shock be sure electricity is turned off at the main fuse or breaker box before wiring.

**NOTE:** The Hand Held Remote or Wall Control units included with your ceiling fan are equipped with 16 code combinations to prevent possible interference from or to other remote units. The frequency switches on your Receiver and Transmitter units have been preset at the factory, please re-check to make sure the switches on both units are set to the same positions. The frequency settings should be changed only in case of interference or if a second or more remote controlled ceiling fans are installed in the same structure. Any code combination will operate the ceiling fan and light as long as the Receiver and Transmitter units are set to the same codes (Fig. 11)

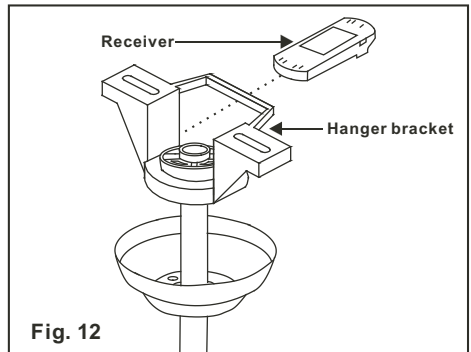
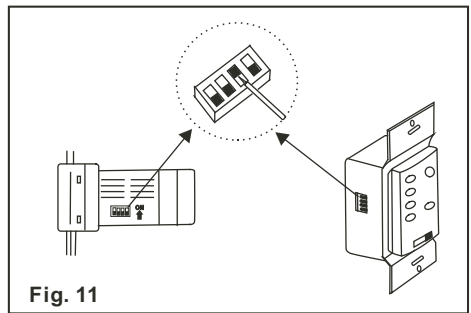
**Step 1.** Insert Receiver into Hanger Bracket with the flat side of the Receiver facing the ceiling. (Fig. 12)

**Step 2.** Motor to Receiver Electrical Connections: Connect the WHITE wire from the fan to the WHITE wire marked "TO MOTOR N" from the Receiver. Connect the BLACK wire from the fan to the BLACK wire marked "TO MOTOR L" from the Receiver. Connect the BLUE wire from the fan to the BLUE wire marked "For Light" from the Receiver. **NOTE:** If your ceiling fan features an UP Light: Connect the ORANGE wire from the fan to the ORANGE wire marked "For Up Light" from the Receiver. Otherwise disregard this step and proceed to secure all wire connections with the plastic wire nuts provided. (Fig. 13 & 14)

**Step 3.** Receiver to House Supply Wires Electrical Connections: Connect the WHITE wire (Neutral) from the outlet box to the WHITE wire marked "AC in N" from the receiver. Connect the BLACK wire (Hot) from the outlet box to the BLACK wire marked "AC in L" from the receiver. Secure all wire connections with the plastic wire nuts provided. (Fig. 13 & 14)

**Step 4.** If your outlet box has a GROUND wire (Green or Bare Copper) connect this wire to the Hanger Ball and Hanger Bracket Ground wires. If your outlet box does not have a Ground Wire, then connect the Hanger Ball and Hanger Bracket Ground Wires together. Secure wire connection with the plastic wire nut provided. (Fig. 13 & 14)

After all splices are made, check to make sure there are no loose strands. As an additional precaution we suggest to secure the plastic wire connectors to the wires with electrical tape.



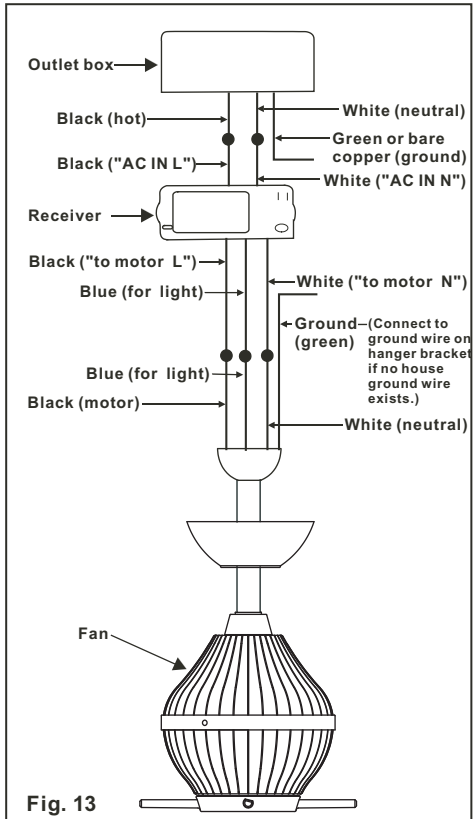


Fig. 13

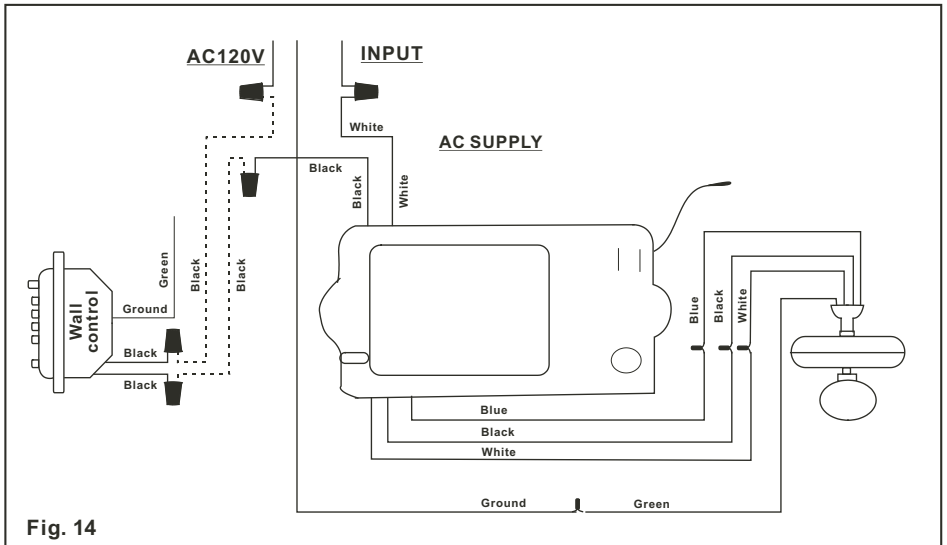


Fig. 14



# INSTALLING THE WALL TRANSMITTER 6.

**WARNING!** HOOK UP "IN SERIES" ONLY. DO NOT CONNECT NEUTRAL SUPPLY WIRE OF ELECTRIC CIRCUIT TO THE TRANSMITTER WALL SWITCH, DAMAGE TO THE TRANSMITTER WALL SWITCH AND POSSIBLE FIRE COULD OCCUR.

**Step 1.** Remove the existing wall plate and switch from the wall outlet box.

**Step 2.** Make the electrical connections as shown in Fig.14. If your outlet box has a ground wire (Green or Bare Copper) connect the Transmitter's ground wire directly to one of the screws from the outlet box . Secure all wire connections with the plastic wire nuts provided.

**Step 3.** Carefully tuck the wire connections inside the outlet box. Use the screws provided to secure the wall transmitter and wall plate to the outlet box. (Fig. 15)

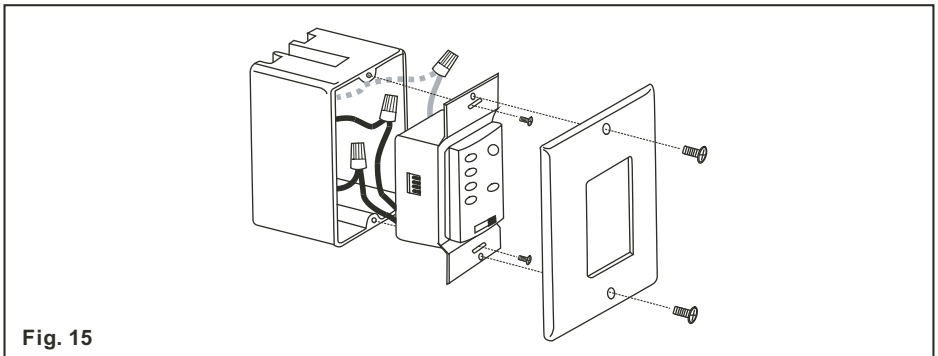


Fig. 15

# FINISHING THE INSTALLATION 7.

**Step 1.** Slide the canopy up to the ceiling and over the two screws on hanger bracket. Rotate canopy clockwise until tight.

**Note:** adjust the canopy screws as needed until the canopy is snug. (Fig. 16)

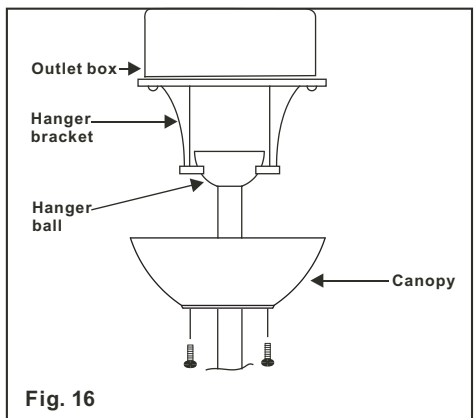
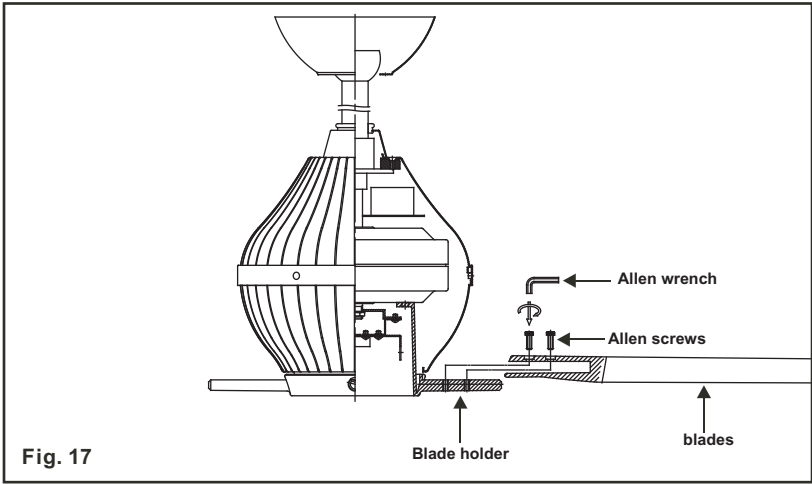


Fig. 16

# 8. BLADE INSTALLATION

1. Insert the blade into the blade holder, align holes from blade to blade holder and secure with two Allen screws and Allen wrench provided (Fig. 17).
2. Repeat process with the other blades.

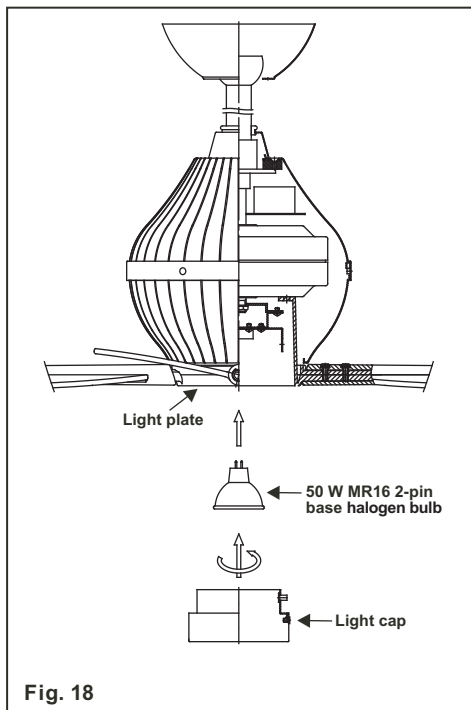


# INSTALLING THE LIGHT BULB & LIGHT CAP 9.

**WARNING:** Shut of the power supply before removing or replacing lamp. In handling of halogen bulb, care should be taken not to touch it with your bare hands. Oil residue will shorten the life of the halogen bulb. If you accidentally come into contact, wipe thoroughly with a clean, lint-free, cotton cloth. Allow the bulb to cool off for 10 minutes before changing the bulb. Use light bulb in accordance with the fan's specification. **TO REDUCE THE RISK OF FIRE DO NOT EXCEED MAXIMUM WATTAGE RATING.**

**Step 1.** Install 50W MR16 2-pin base halogen bulb. (Fig. 18).

**Step 2.** Install the light cap by carefully turning it clockwise until snug. **DO NOT OVERTIGHTEN.** (Fig. 18)



# 10. OPERATING THE REMOTE CONTROL/WALL CONTROL

Remote Control only: Install a 9 volt battery (not included). To prevent damage to transmitter remove the battery if not used for long periods of time.

Restore Power to Ceiling Fan.

**A. HI-MED-LOW Buttons:**

These buttons are used to set the fan speeds as follows;

- HI** = High Speed
- MED** = Medium Speed
- LOW** = Low Speed

**B. FAN OFF Button:**

This button turns the fan off.

**C. LIGHT Button and U/L and D/L Buttons:**

These buttons turn the light ON or OFF and also control the brightness settings of the light. The following instructions apply to ceiling fans that feature a DOWN light (LIGHT button) only or ceiling fans that feature an UP light (U/L button) and a DOWN light (D/L button) that are controlled independent of each other;

Press and release the button for the desired light to turn the light ON or OFF. Press and hold the button to set the desired light brightness. The light will cycle between bright and dim settings as long as the button is pressed. The light key has an automatic auto-resume feature that allows the light to remain at the same brightness as the last time it was turned off.

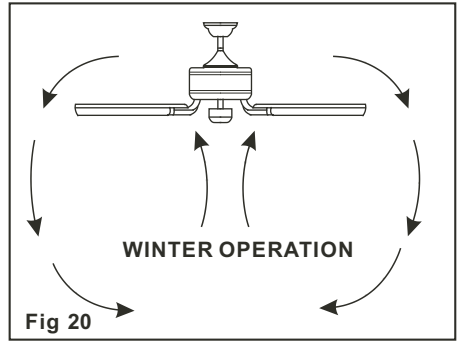
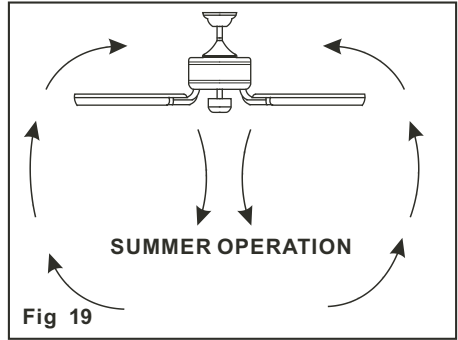
**D. OFF-ON Slide Button (Wall Control Fans Only)**

This button turns the power Off and On to the Fan and Light(s).

**E. REV Button: (Full Function Remote Control Units Only)**

This button is used to change the direction of the rotation of the blades; forward for warm weather or reverse for warm weather.

**NOTE:** If your Remote Control or Wall Control does not have a "REV" button, Please look for a slide reverse switch on the motor housing.



Speed settings for warm or cold weather depend on factors such as room size, ceiling height and number of fans.

**NOTE:** to change the direction of the rotation of the blades the fan must be in operation mode.

**Warm Weather (forward)**

A DOWNWARD airflow creates a cooling effect as shown in Figure 19. This allows you to set your air conditioner on a warmer setting without affecting your comfort.

**Cool Weather (Reverse)**

An UPWARD airflow moves warmer air off the ceiling area as shown in Figure 20. This allows you to set your heating unit on a cooler setting without affecting your comfort.

# CARE OF YOUR FAN 11.

Here are some suggestions to help maintain your fan.

1. Because of the fan's natural movement some connections may become loose. Check the support connections, brackets and blade attachments twice a year. Make sure they are secure. (It is not necessary to remove fan from the ceiling).

2. Clean your fan periodically to help maintain its new appearance over the years. Use only a soft brush or lint free cloth to avoid scratching the finish. Plated finishes are sealed with lacquer to minimize discoloration or tarnishing. Do not use water when cleaning, this could damage the motor, wood blades or possibly cause an electrical shock.

3. If your fan is provided with wood veneer blades; you can apply a light coat of furniture polish for additional protection and enhanced beauty. Cover small scratches with a light application of shoe polish.

4. Use a lint free lightly damp cloth or duster to remove dust from the blades.

5. There is no need to oil your fan. The motor has permanently lubricated bearings.

6. If your fan is provided with glass shades, clean with lukewarm soapy water and a soft cloth or sponge. **DO NOT IMMERSE GLASS SHADES IN HOT WATER. DO NOT PUT GLASS SHADES INTO AN AUTOMATIC DISHWASHER.**

## **WARNING!**

**Make sure the power is off at the electrical panel box before you attempt any repairs. Refer to the section, "Electrical Connections".**

For any additional information about your minkaAire Ceiling fan, please write to;



1151 W. Bradford Court  
Corona, CA 92882

For customer assistance call: 1-800-307-3267

# 12. TROUBLESHOOTING

Symptoms	Solution
Fan Will not Start	<ul style="list-style-type: none"> <li>● Check to make sure the wall switch is turned on.</li> <li>● Check circuit fuses or breakers.</li> </ul> <p><b>Caution! Make sure the power is turned off before performing the following steps;</b></p> <ul style="list-style-type: none"> <li>● Remove canopy and check wire connections.</li> <li>● If using a remote controlled fan; check to see that the deep switches from transmitter and receiver are set to the same frequency code.</li> <li>● Check wall control transmitter connections (if applicable).</li> </ul>
Fans/Light Turn On and Off Unexpectedly	<ul style="list-style-type: none"> <li>● This is caused by interference, change the code frequency from the transmitter and receiver. Any code combination will operate the fan or light (remote controlled fans only).</li> </ul>
Fan Sounds Noisy	<ul style="list-style-type: none"> <li>● Allow a 24-hour "break in" period. Most noises associated with a new fan will go away during this time.</li> <li>● Make sure all blade attachment screws are tight.</li> <li>● Make sure outlet box is secured to building structure, if necessary use the wood screws provided to further secure outlet box to joist.</li> <li>● Make sure hanger bracket is secure to the outlet box, screws are tight.</li> </ul>
Fan Wobble	<ul style="list-style-type: none"> <li>● <b>NOTE:</b> All blade sets are grouped by weight. Because wood and plastic blades vary in density, the fan may wobble even though blades are matched.</li> <li>● Make sure all blade attachment screws are tight.</li> <li>● Make sure outlet box is secured to building structure, if necessary use the wood screws provided to further secure outlet box to joist.</li> <li>● Make sure hanger bracket is secure to the outlet box, screws are tight.</li> <li>● Use the balancing kit provided if the wobble is excessive (follow instructions included with balancing kit)</li> </ul>

# 13. SPECIFICATIONS

Fan Size	Speed	Volts	Amps	Watts	RPM	CFM	N.W.	G.W.	C.F.
52"	Low	120	0.35	16	70	2100	12.1 kgs	13.06 kgs	3.43'
	Medium	120	0.51	43	105	3200			
	High	120	0.56	67	135	6100			

These are typical readings and they do not include Amps and Wattage used by the light (s).