

Mirabelle®

BOCA RATON COLLECTION

ROMAN TUB DIVERTER KIT WITH HAND SPRAY

Product Codes:

MIRBR2RTDBN (brushed nickel)

MIRBR2RTDCP (polished chrome)

MIRBR2RTDORB (oil rubbed bronze)

MIRBR2RTDPN (polished nickel)

- Solid brass construction
- 1.85 GPM @ 60 psi
- 70" Hose length
- Factory installed backflow prevention check valve
- Installation, operating, care and maintenance instructions included
- Lifetime limited warranty
- Meets ANSI: A112.18.1M
- NSF/ANSI Std. 61 compliant
- cUPC/IAPMO listed



Mirabelle®

BOCA RATON COLLECTION

ROMAN TUB DIVERTER KIT WITH HAND SPRAY

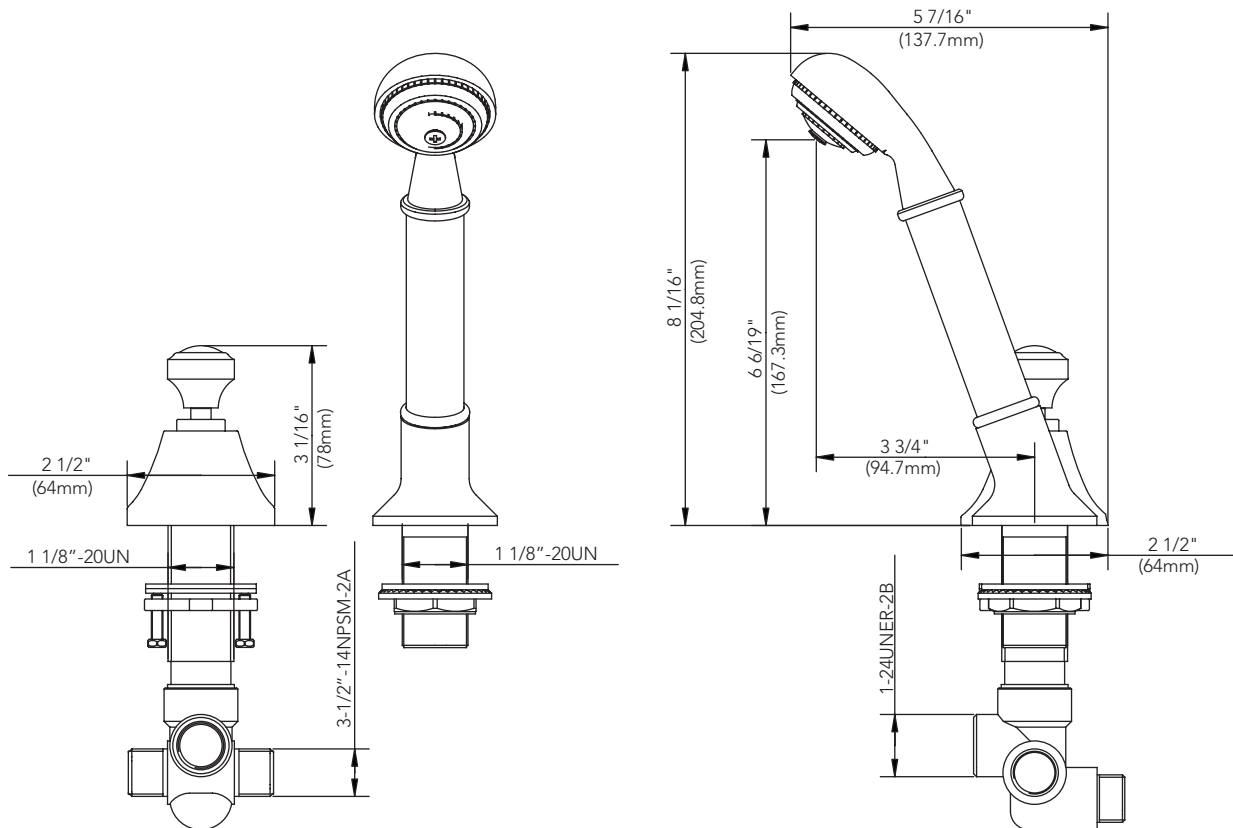
Product Codes:

MIRBR2RTDBN (brushed nickel)

MIRBR2RTDCP (polished chrome)

MIRBR2RTDORB (oil rubbed bronze)

MIRBR2RTDPN (polished nickel)



All dimensions are based on original specifications and are subject to change and variation.

