

Mirabelle™

MILANO COLLECTION

TWO-HANDLE WIDESPREAD LAVATORY FAUCET

Product Codes:

MIRML2HWSLFCP (polished chrome)

MIRML2HWSLFBN (brushed nickel)

- Solid brass construction
- 6" to 12" installation spread
- Quarter-turn ceramic disc cartridge
- Brass pop-up drain assembly
- 1/2" IPS connections
- High arc spout
- Installation, operating, care and maintenance instructions included
- Lifetime limited warranty
- Meets ANSI: A112.18.1M
- NSF/ANSI Std. 61 compliant
- cUPC/IAPMO listed



Mirabelle™

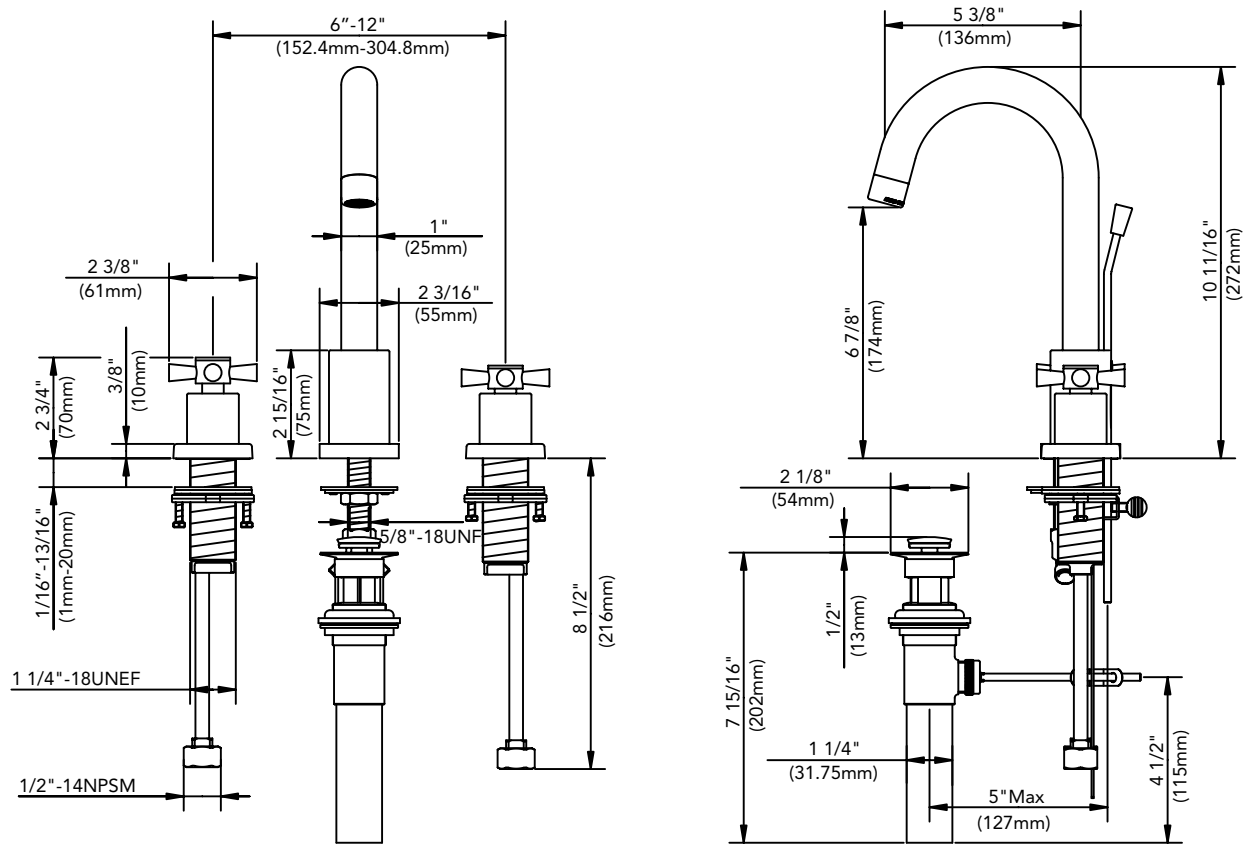
MILANO COLLECTION

TWO-HANDLE WIDESPREAD LAVATORY FAUCET

Product Codes:

MIRML2HWSLFCP (polished chrome)

MIRML2HWSLFBN (brushed nickel)



All dimensions are based on original specifications and are subject to change and variation.

Please contact your Mirabelle customer service representative at (800) 221-3379 for any updated specifications.