



## TWO-HANDLE LAVATORY FAUCET

**Product Codes:**

MIRWSGA110CP (polished chrome)

MIRWSGA110BN (brushed nickel)

- Solid brass construction
- 1.5 gpm water saving aerator
- Single hole install
- Quarter-turn ceramic disc cartridge
- Brass push activated drain assembly with overflow
- Contemporary styling
- Installation, operating, care and maintenance instructions included
- Lifetime limited warranty
- Meets ANSI: A112.18.1M
- NSF/ANSI Std. 61 compliant
- cUPC/IAPMO listed
- Compliant with lead content requirements of California AB 1953 & Vermont S.152.
- Hot cartridge MIR3615LL77
- Cold cartridge MIR3614LL77



# Mirabelle™

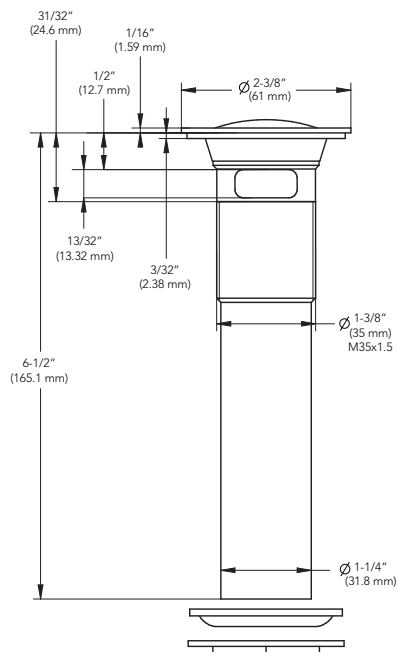
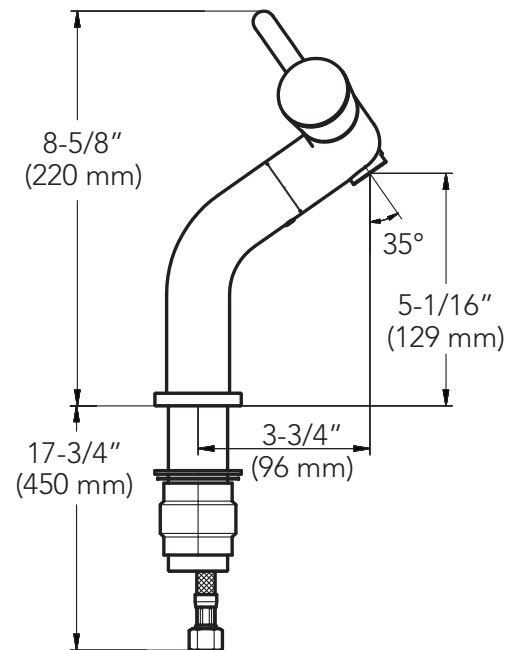
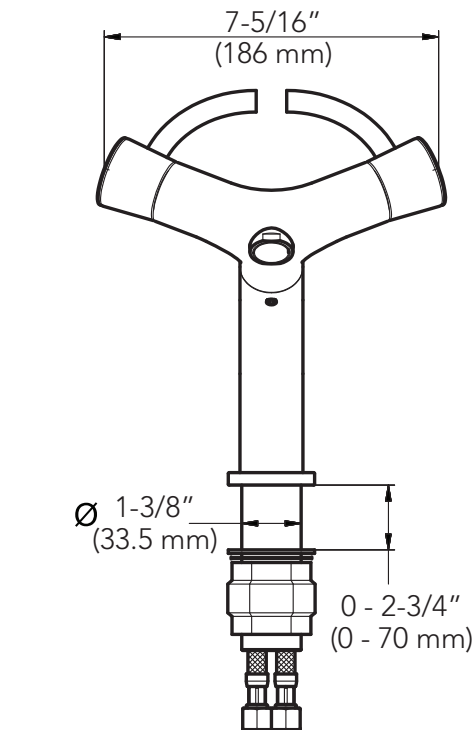
## GALATIA

### TWO-HANDLE LAVATORY FAUCET

Product Codes:

MIRWSGA110CP (polished chrome)

MIRWSGA110BN (brushed nickel)



All dimensions are based on original specifications and are subject to change and variation.

