

Mirabelle®

AMBERLEY COLLECTION

TWO-PIECE HIGH EFFICIENCY TOILET

Product Codes:

MIRAM240WH – elongated bowl (white)

MIRAM200WH – tank (white)

MIRAM240BS – elongated bowl (biscuit)

MIRAM200BS – tank (biscuit)

- Vitreous china construction
- 1.28 gpf HET, High efficiency toilet
- EPA WaterSense certified
- Uses 20% less water than standard low-consumption toilets
- ADA-compliant 16" high bowl with slow close seat and cover
- 12" rough-in
- 2-1/4" fully glazed trapway with high performance 3" flush valve
- Includes polished chrome trip lever
- Supply not included
- 100% factory flush tested
- Installation, operating, care and maintenance instructions included
- 1 year limited warranty
- Meets ASME Standard: A112.19.2M
- Meets CSA B651
- cUPC /IAPMO listed
- Recommended accessories
 - MB130986 - Flush lever, PN
 - MB139988- Flush lever, BN
 - MB139989 - Flush lever, ORB



See dimensional drawing on next page

© 2015 Ferguson Enterprises, Inc. All Rights Reserved 04/15 25470



Mirabelle®

AMBERLEY COLLECTION

TWO-PIECE HIGH EFFICIENCY TOILET

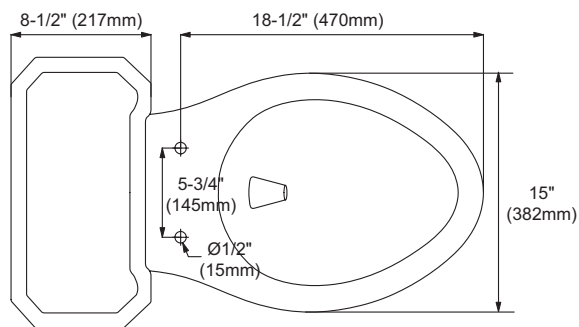
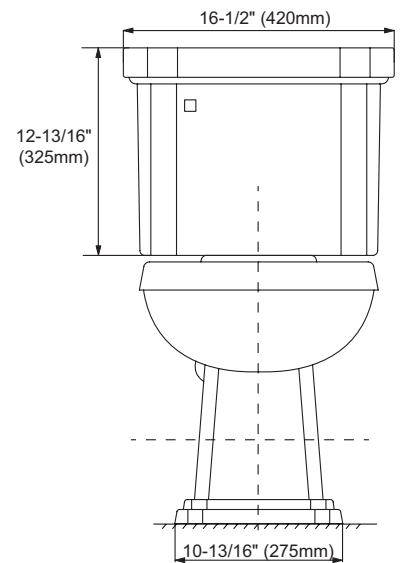
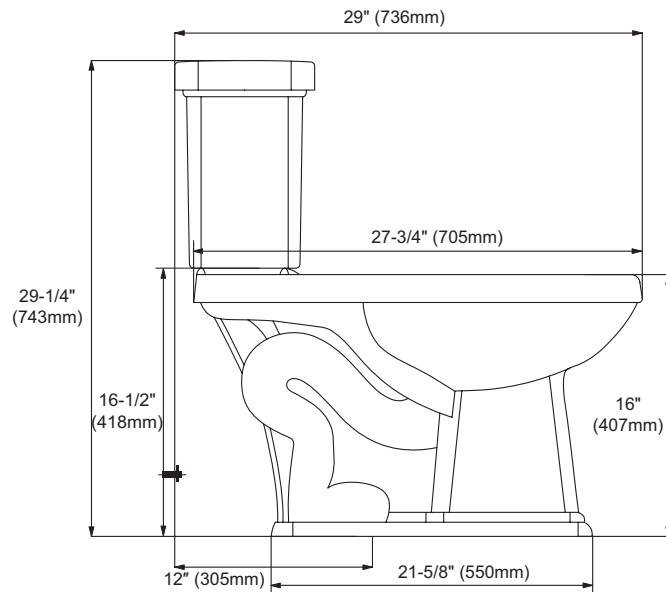
Product Codes:

MIRAM240WH – elongated bowl (white)

MIRAM200WH – tank (white)

MIRAM240BS – elongated bowl (biscuit)

MIRAM200BS – tank (biscuit)



Note: All dimensions and specifications are nominal and may vary +/- 1/4". Use actual products for accuracy in critical situations.