



Buy it for looks. Buy it for life.®

# Specifications

## DESCRIPTION

- Three distinct spray settings
- Easy to change spray settings
- Easy to clean spray face

## OPERATION

- To experience the distinctly different showering sprays, rotate the function dial left or right to the desired position

## FLOW

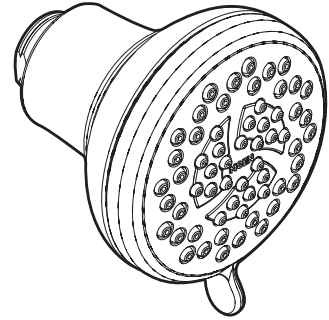
- Designed to deliver 2.5gpm (9.5L/min) max.

## STANDARDS

- Third party certified to ASME A112.18.1/CSA B125.1 and all the applicable requirements referenced therein

## WARRANTY

- Lifetime limited warranty

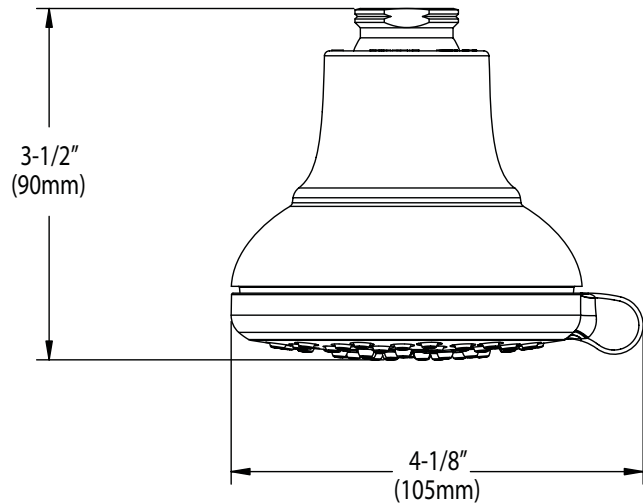
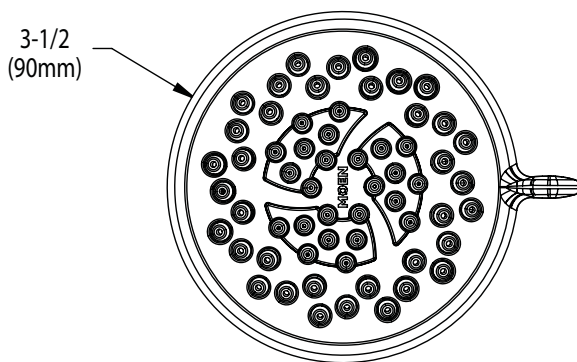


Fixed Shower

Model: 21333



Inspire™  
Feel the Difference



## CRITICAL DIMENSIONS

(DO NOT SCALE)

FOR MORE INFORMATION CALL: 1-800-BUY-MOEN

www.moen.com