



Buy it for looks. Buy it for life.®

Specifications

DESCRIPTION

- 9 Inch Inspire™ rainshower with InvigoRain pressurized spray
- Octagonal shape rainshower
- Metal back shell construction with plastic spray face for design precision
- Rubber spray formers for ease of cleaning
- Showerhead tilts to desired position
- Fits standard shower arm
- Available in Chrome and LifeShine® Brushed Nickel finish

FLOW

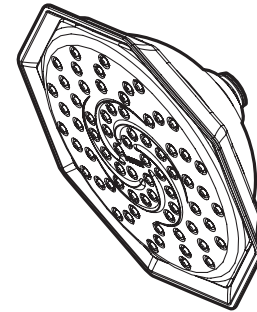
- Designed to deliver 2.5gpm (9.5L/min) max.

STANDARDS

- Third party certified to ASME A112.18.1/CSA B125.1 and all the applicable requirements referenced therein

WARRANTY

- Lifetime limited warranty



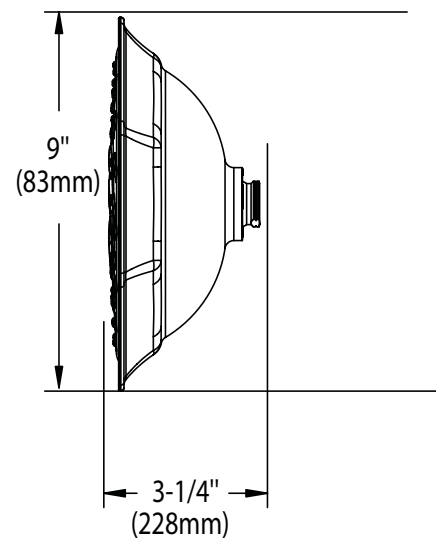
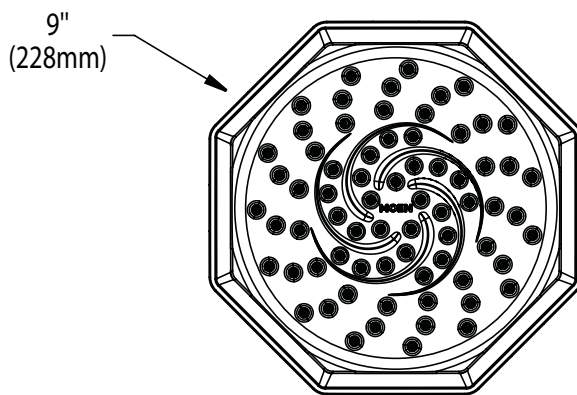
Models: 21999, 21999BN



Inspire™

Feel the Difference.

InvigoRain™
PRESSURIZED SPRAY



CRITICAL DIMENSIONS

(DO NOT SCALE)

FOR MORE INFORMATION CALL: 1-800-BUY-MOEN

www.moen.com