



Buy it for looks. Buy it for life.®

# Specifications

## DESCRIPTION

- Fixed mount showerhead
- Nonmetallic spray face and shell
- Brass swivel ball assembly
- Available in Chrome, Oil Rubbed Bronze or LifeShine® Brushed Nickel

## FLOW

- Designed to deliver 1.75 gpm (6.65 L/min)

## STANDARDS

- Designed and manufactured to comply with the requirements of: ASME A112.18.1/CSA B125.1 and all requirements referenced therein

## WARRANTY

- Lifetime limited warranty against leaks, drips and finish defects to the original consumer purchaser
- 5 year warranty if used in commercial installations

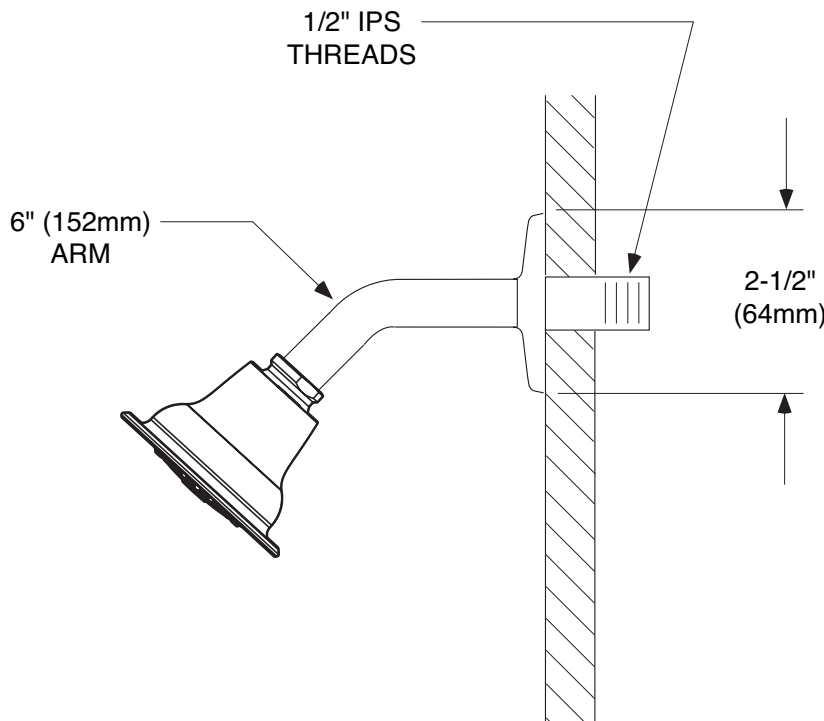


### 1.75 gpm Water Saving Single Function Showerhead

<b>Models:</b>	6306	Chrome
	6306BN	Brushed Nickel
	6306ORB	Oil Rubbed Bronze

### 1.75 gpm Water Saving Single Function Showerhead, Arm & Flange

<b>Models:</b>	6307	Chrome
	6307BN	Brushed Nickel
	6307ORB	Oil Rubbed Bronze



## CRITICAL DIMENSIONS

(DO NOT SCALE)