



Buy it for looks. Buy it for life.®

There is more than 1 version of this model.
Page down to identify the version you have.

FAUCET DESCRIPTION

- Metal construction with various finishes identified by suffix
- Quick connect installation
- Flexible supplies with 3/8" compression fittings
- Includes matching traditional side spray

OPERATION

- Lever style handle
- Temperature controlled by 100° arc of handle travel
- Will operate with less than 5 lbs. of force
- Faucet may be installed with or without side spray


FLOW

- Spout flow is limited to 1.5 gpm (5.7 L/min) at 60 psi

CARTRIDGE

- 1255™ Duralast™ cartridge

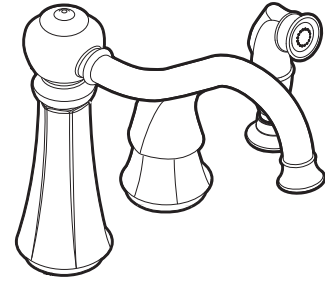
STANDARDS

- Third party certified to ASME A112.18.1/CSA B-125.1 and all applicable requirements referenced therein including NSF61/9
- Meets CalGreen and Georgia SB370 requirements
- Contains no more than 0.25% weighted average lead content
- Complies with California Proposition 65 and with the Federal Safe Drinking Water Act
- ADA  for lever handles

WARRANTY

- Lifetime limited warranty against leaks, drips and finish defects to the original consumer purchaser
- 5 year warranty if used in commercial installations

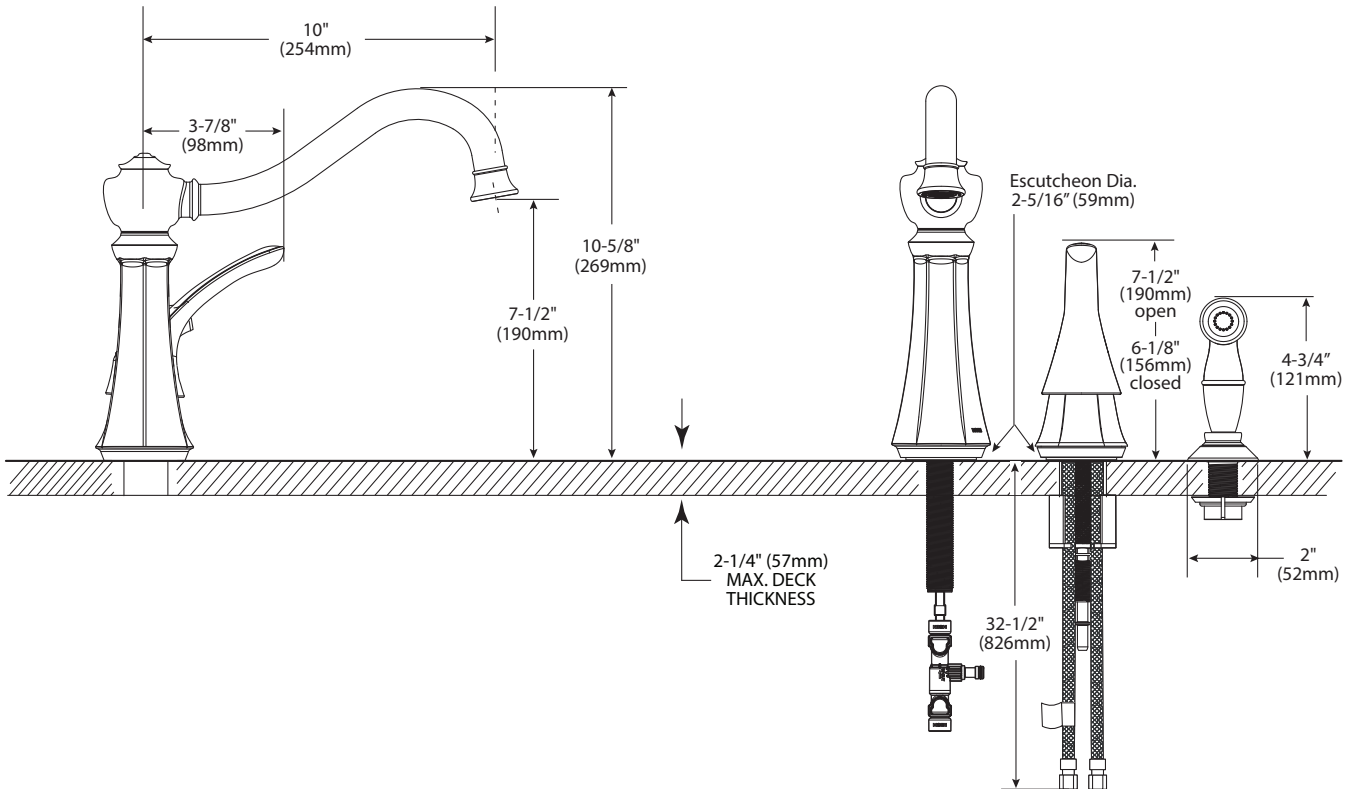
Specifications



Vestige™ Single-Handle Kitchen Faucet with Side Spray

Models: 7065 Series

**Spout, Handle, & Hose Spray install
through deck holes a minimum of
1-1/4" (32mm) in diameter.**



CRITICAL DIMENSIONS

(DO NOT SCALE)



Buy it for looks. Buy it for life.®

There is more than 1 version of this model.
Page down to identify the version you have.

FAUCET DESCRIPTION

- Metal construction with various finishes identified by suffix
- Flexible supplies with 3/8" compression fittings
- Includes matching traditional side spray

OPERATION

- Lever style handle
- Temperature controlled by 100° arc of handle travel
- Will operate with less than 5 lbs. of force
- Faucet may be installed with or without side spray


FLOW

- Spout flow is limited to 1.5 gpm (5.7 L/min) at 60 psi

CARTRIDGE

- 1255™ Duralast™ cartridge

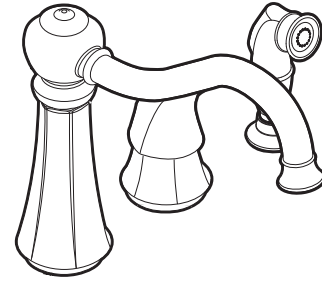
STANDARDS

- Third party certified to ASME A112.18.1/CSA B-125.1 and all applicable requirements referenced therein including NSF61/9
- Meets CalGreen and Georgia SB370 requirements
- Contains no more than 0.25% weighted average lead content
- Complies with California Proposition 65 and with the Federal Safe Drinking Water Act
- **ADA**  for lever handles

WARRANTY

- Lifetime limited warranty against leaks, drips and finish defects to the original consumer purchaser
- 5 year warranty if used in commercial installations

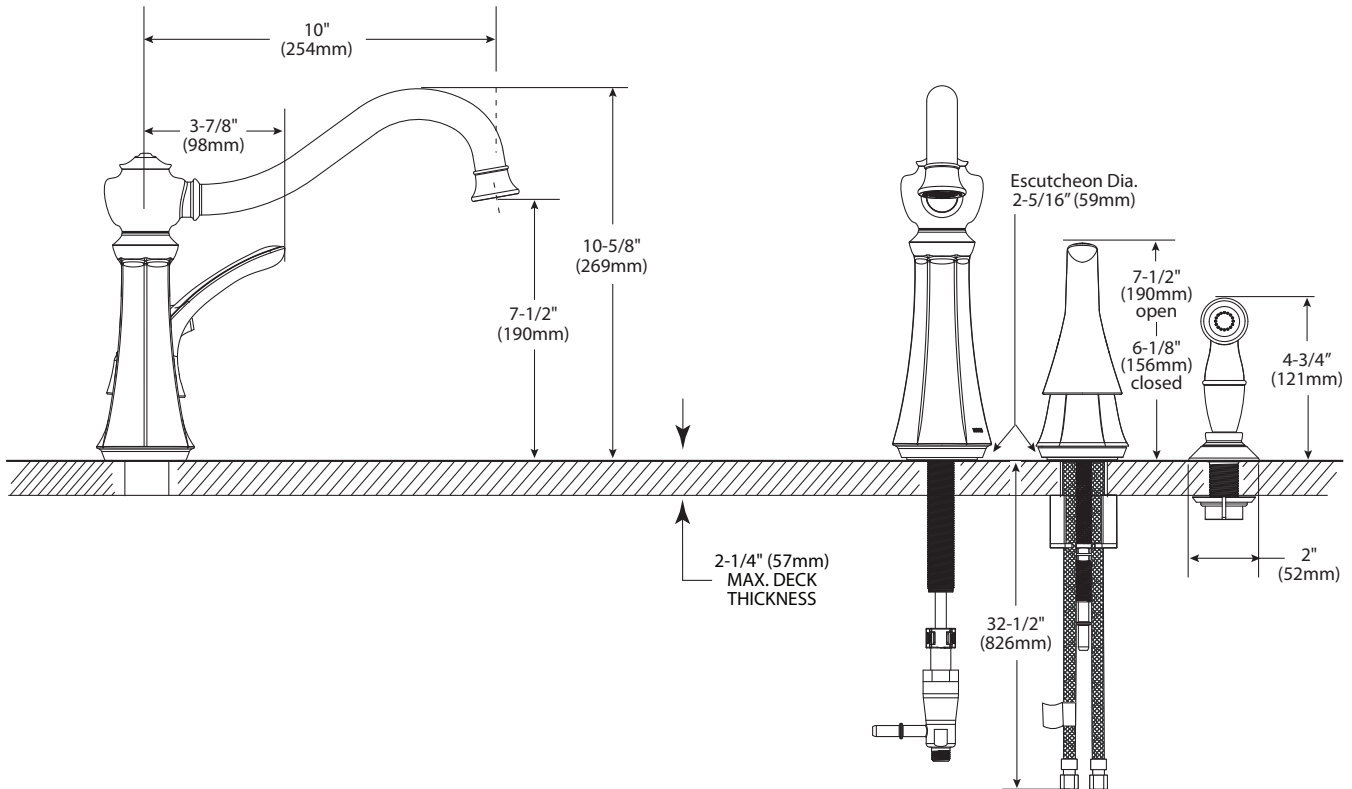
Specifications



Vestige™ Single-Handle Kitchen Faucet with Side Spray

Models: 7065 Series

**Spout, Handle, & Hose Spray install
through deck holes a minimum of
1-1/4" (32mm) in diameter.**



CRITICAL DIMENSIONS

(DO NOT SCALE)



Buy it for looks. Buy it for life.®

Specifications

FAUCET DESCRIPTION

- Metal construction with various finishes identified by suffix
- 1/2" IPS connections will accept standard ball nose connection for 3/8" tubing
- Includes matching traditional side spray

OPERATION

- Lever style handle
- Temperature controlled by 130° arc of handle travel
- Will operate with less than 5 lbs. of force

FLOW


- Aerator is limited to 2.0 gpm (7.6 L/min) at 60 psi

CARTRIDGE

- 1225 cartridge design
- Nonmetallic, nonferrous and stainless steel material

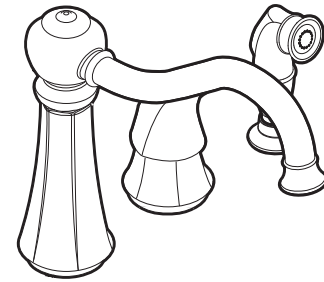
STANDARDS

- Third party certified to CSA B-125.1, ASME A112.18.1 and all applicable requirements referenced therein including NSF61/9
- Complies with California Proposition 65 and with the Federal Safe Drinking Water Act

- ADA  for lever handles

WARRANTY

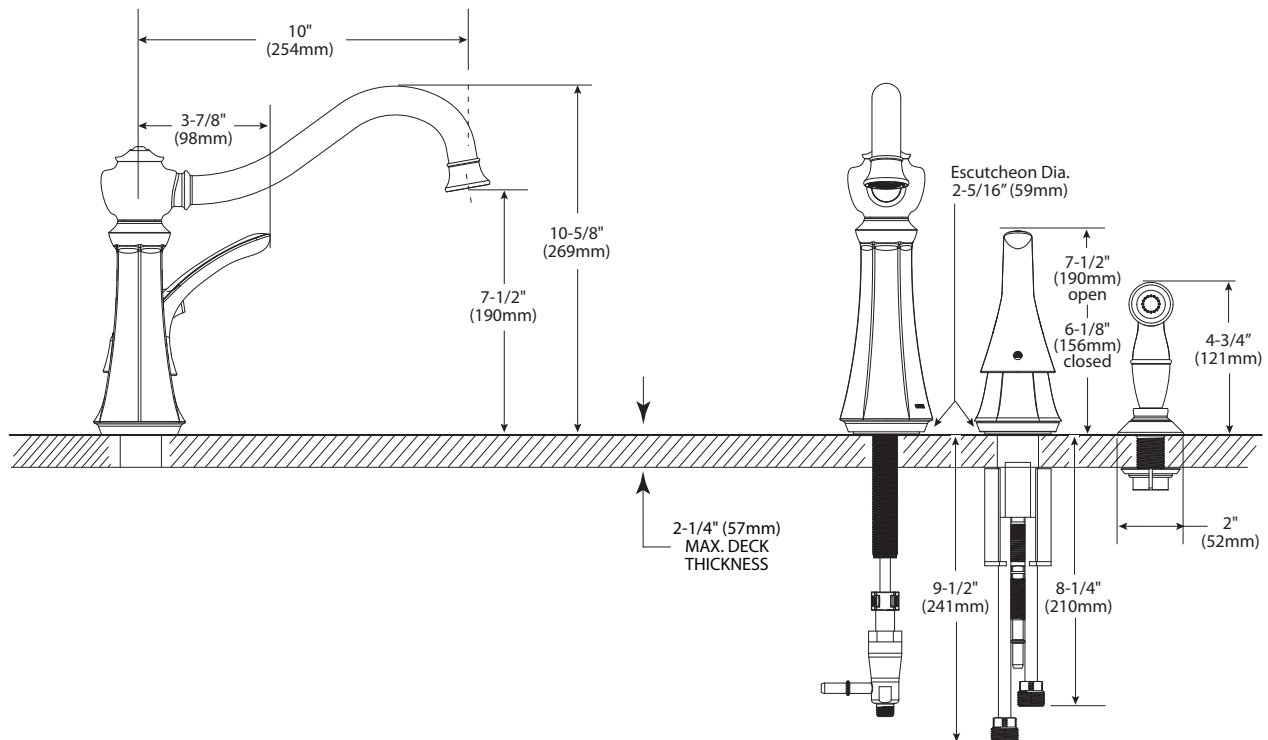
- Lifetime limited warranty against leaks, drips and finish defects to the original consumer purchaser
- 5 year warranty if used in commercial installations



Vestige™ Single-Handle Kitchen Faucet with Side Spray

Models: 7065 Series

Spout, Handle, & Hose Spray install through deck holes a minimum of 1-1/4" (32mm) in diameter.



CRITICAL DIMENSIONS

(DO NOT SCALE)

The use of aerator part 116711 reduces flow to a maximum of 1.5 gpm (5.7L/min.)