

Yorkshire Technical Specification

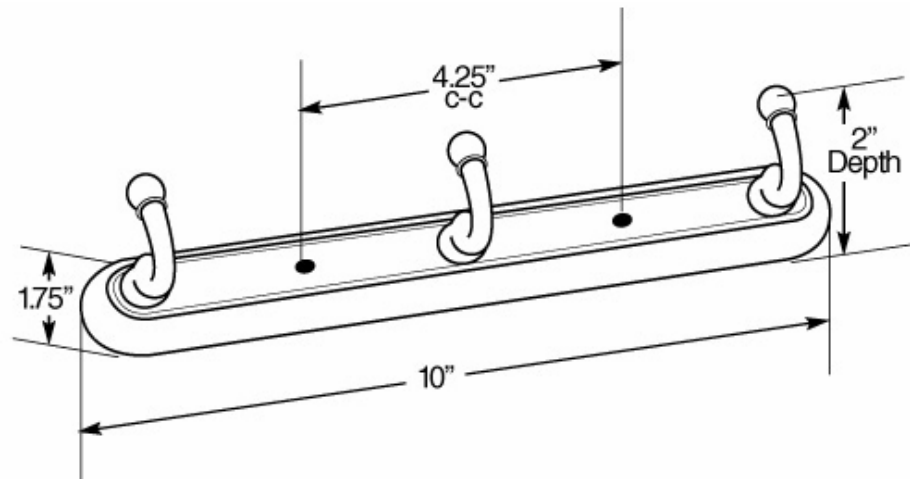
Robe Hook

7603

Stock Numbers:

- q **7603PB – Triple Robe Hook**
Polished Brass Finish
Exposed Screw Mounting
- q **7603CH – Triple Robe Hook**
Polished Chrome Finish
Exposed Screw Mounting
- q **7603CB – Triple Robe Hook**
Chrome & Brass Finish
Exposed Screw Mounting
- q **7603W – Triple Robe Hook**
White Finish
Exposed Screw Mounting

Dimensions:



Materials:

Triple Robe Hook is die cast from highest quality zinc alloy (zamac). Castings are triple plated in a polished brass, polished chrome or combination chrome and brass finish, or powder coated in white finish.

Installation Instructions:

1. Position unit on wall in desired location.
2. Mark hole positions. Drill starter holes.
3. Mount hook with 1 ¼" screws (provided).

Note: Wood blocking is preferable behind all wall surfaces.

If wood blocking is not available, the following optional fasteners are suggested: Tile/Masonry – Plastic or Lead Anchors; Plaster/Drywall – Toggle Bolts

Cleaning Instructions:

To preserve the fine finish of this product, clean only with a soft damp cloth. Dry well. Do not use commercial or abrasive cleaners.

Stock Number: _____ **Robe Hook**
By CSI Bath Furnishings



25300 AL MOEN DRIVE • NORTH OLMSTED, OH 44070 (800) 321-8809 •
FAX: (800) 848-6636 • INTERNATIONAL: (440) 962-2000 •

FAX: (440) 962-2726 CUSTOMER SERVICE (USA): 800-882-0116

©Copyright CSI Bath Furnishing Division of Moen 02/22/01

Literature #BA1070