

## FAUCET DESCRIPTION

- Metal construction with 7 finishes
- Hydrolock® quick connect installation
- Pullout spray with 59" metal hose
- 1/2" IPS connections will accept standard ball nose connection for 3/8" tubing

## OPERATION

- Lever style handle
- Temperature controlled by 180° arc of handle travel
- Spout receptor rotation is 145°
- Operates with less than 5 lbs. of force
- Operates in stream or spray mode in the pullout or retracted position

## FLOW

- Flow is limited to 2.2 gpm (8.3 L/min) at 60 psi

## CARTRIDGE

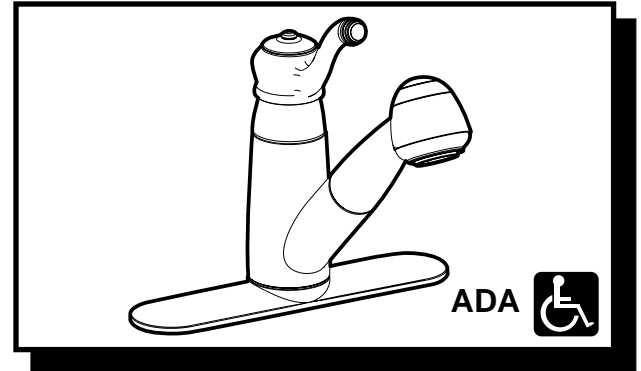
- 1225 cartridge design
- Engineered polymers, non-ferrous and stainless steel materials

## STANDARDS

- Designed and manufactured to comply with the requirements of: CSA B-125, ASME A112.18.1M, NSF 61 Section 9, California Proposition 65, ANSI A117.1, ADA
- The backflow protection system in this device consists of two independently operating check valves, a primary and a secondary which prevent backflow.

## WARRANTY

- Lifetime limited warranty against leaks, drips and finish defects to the original consumer purchaser
- 5 year warranty if used in commercial installations



## Colonnade™

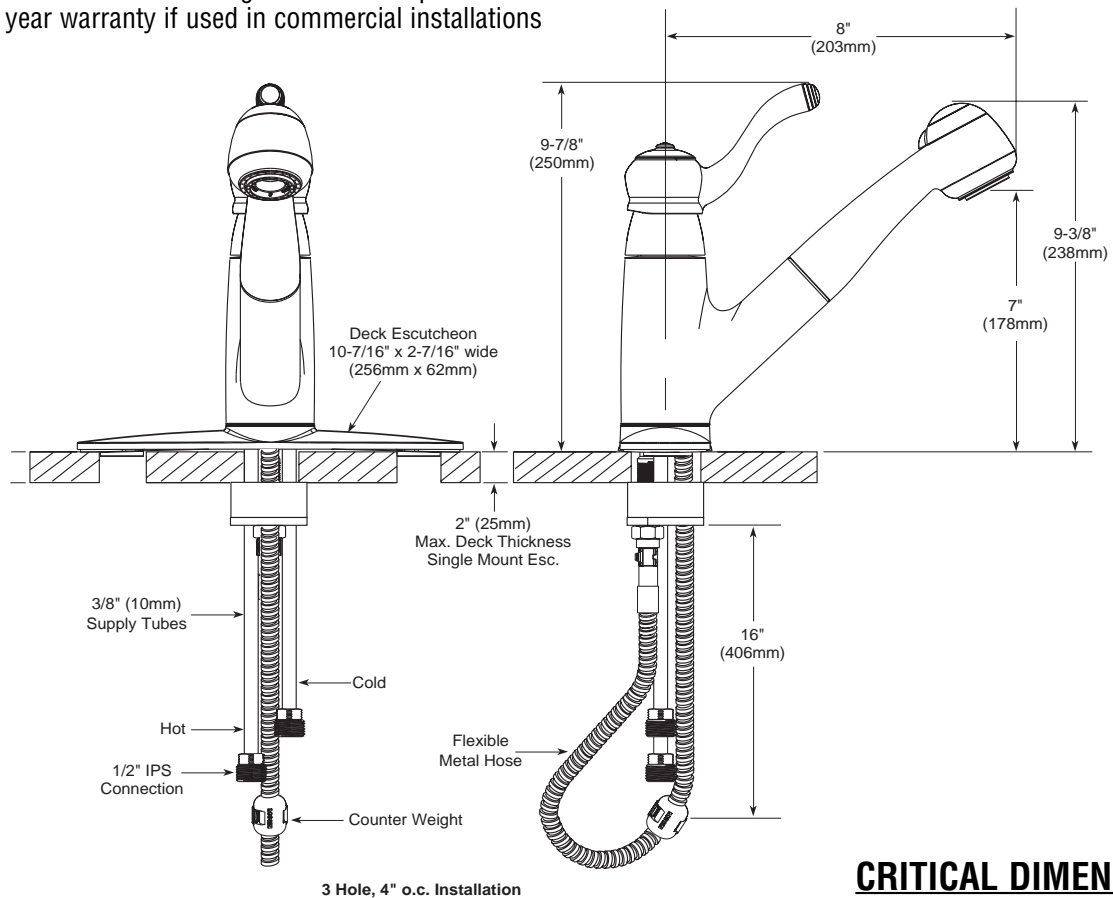
### Single Control Kitchen Faucet w/Pullout Spray

Models: 7575, 7575C, 7575W, 7575S, 7575V, 7575CPR, 7575SL

87575, 87575C, 87575W, 87575S, 87575V, 87575CPR

**NOTE: See reverse side for illustrated parts**

**NOTE: DESIGNED TO INSTALL THRU 1 OR 3 HOLES 1-1/4" (32mm) MIN. DIA.**



## CRITICAL DIMENSIONS

(DO NOT SCALE)