

DESCRIPTION

- Brass construction with chrome plated finish
- 1/2" IPS connections
- Includes side spray w Hydrolock® quick-connect system

OPERATION

- Lever style handles with hot and cold color indicators
- Vandal resistant torx head screws
- 1/4 turn to open (clockwise to close)


FLOW

- Aerator is limited to 2.2GPM Max (8.34 Min.)

CARTRIDGE

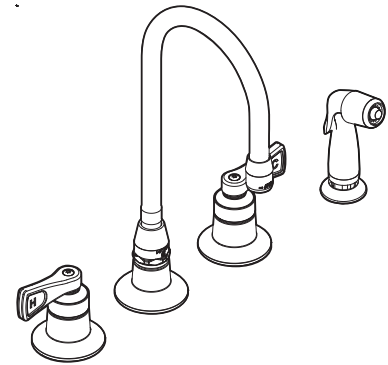
- Brass shell, ceramic disc cartridge
- Nonmetallic/nonferrouse and ceramic material

STANDARDS

- Third party certified to meet ASME A112.18.1/CSA B125.1 and all applicable specifications referenced therein
- Certified to NSF 61/9
- Contains no more than 0.25% weighted average lead content
- Complies with California Proposition 65 and with the Federal Safe Drinking Water Act
- **ADA**  for lever handles

WARRANTY

- Warranted for 5 years against material or manufacturing defects

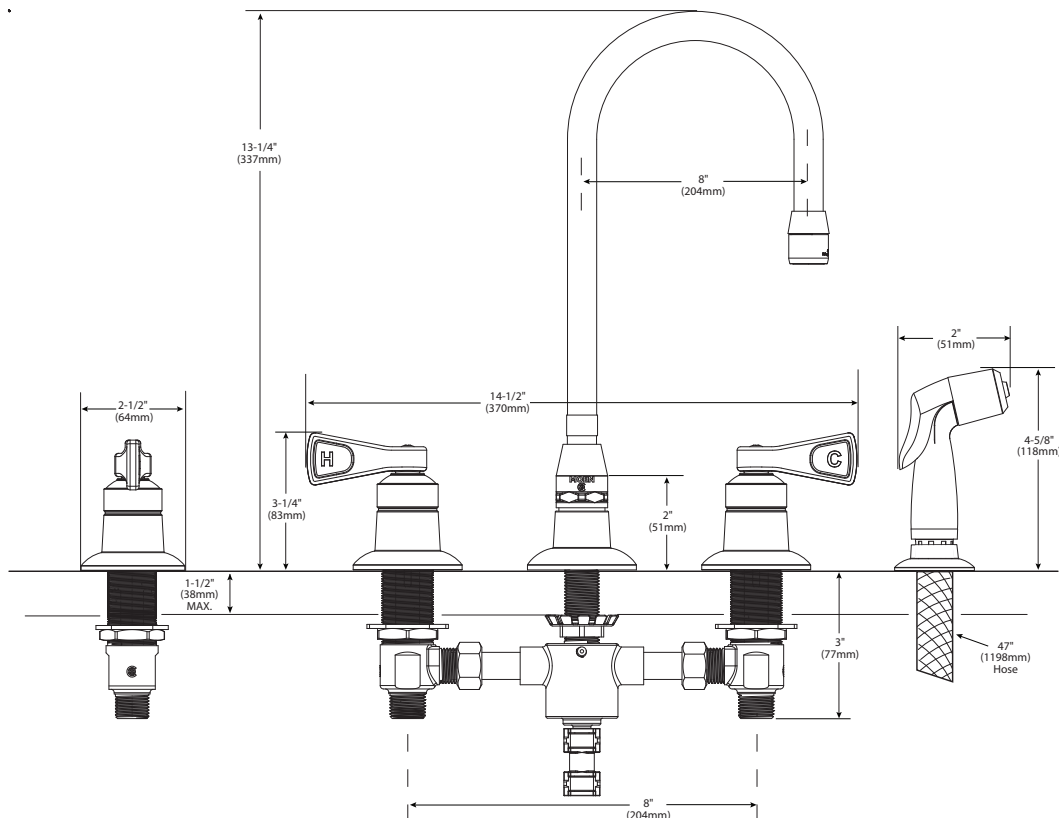


Two-Handle Kitchen Faucet w/Side Spray

Model: 8242



NOTE: Designed to be installed through 4 holes - 1" min. dia.



CRITICAL DIMENSIONS

(DO NOT SCALE)